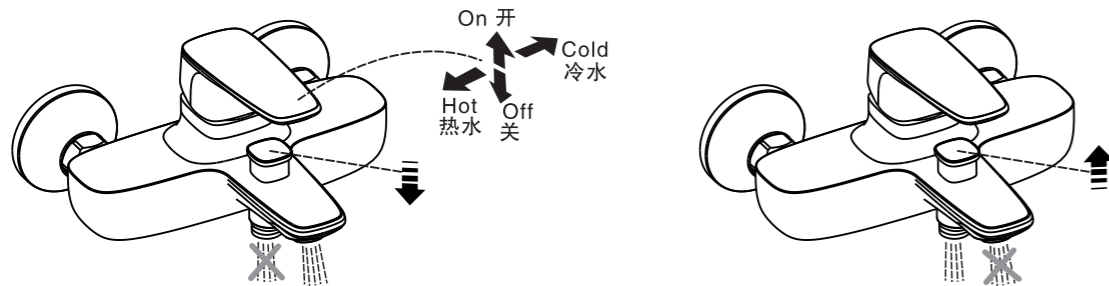


Test / Usage 测试和使用

1 Test 测试

- * Push lever down to 'OFF' position. Open water supply valve to check all connections for leakage(s).
- * Lift lever up to 'ON' position. Check that water is flowing from spout.
- * 将把手处在关的位置, 开启供水并检查各连接是否有渗漏;
- * 打开把手, 检查出水是否正常。

2 Usage 使用

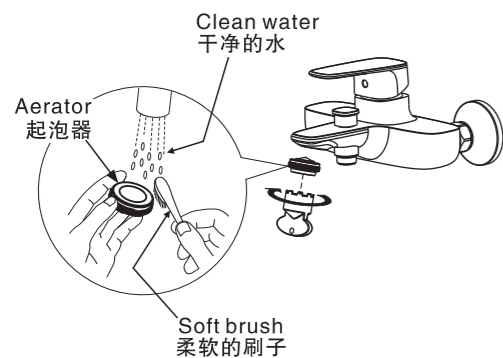


Trouble Shooting Guide 一般故障排除指南

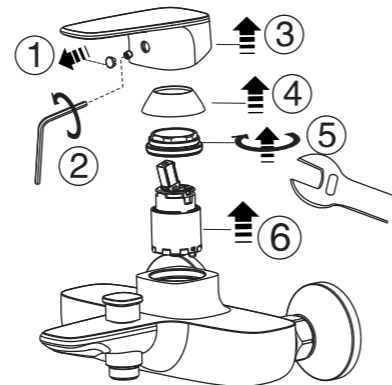
| Issue 故障 | Component 检查点 | Checkpoint 内容 | Corrective Action 处理办法 |
|----------------------------|----------------------------|---|--|
| Poor flow rate 流量小 | Aerator 起泡器 | Check if aerator is clogged 检查是否有杂质 | Remove all impurities 清除杂质 |
| | Water supply valve 供水阀 | Check lever position 检查供水阀是否开得太大 | Lift lever to maximise water volume 开大供水阀 |
| | Hose 软管 | Check if hose is twisted 检查软管是否扭曲 | Untwist the hose 展开软管 |
| Leakage 漏水 | Cartridge 阀芯 | Check cartridge is loosened 检查阀芯是否被松开 | Fasten or replace cartridge 紧固好阀芯 |
| | Connection joints 各连接处 | Check the connection 检查连接处是否未加垫片或垫片已损坏 | Reassemble connecting part 重新安装 |
| Abnormal Temperature 不正常水温 | Water supply valve 供水阀 | Check lever position 检查供水阀是否开得太大 | Lift lever to maximise water volume 开大供水阀 |
| | Water supply pipeline 供水管路 | Check if supply pipes have been correctly connected 检查进水管是否连接正确 | Connect the hot and cold water pipe correctly 正确连接冷热水管 |

Care & Maintenance 维护与保养

- * Clogged aerator due to poor water quality can lead to reduced water flow. Follow steps below to clean aerator to ensure optimal performance.
- * 起泡器可能积累污垢致损害或影响出水效果, 此时应清洁或更换起泡器。



- * Clogged cartridges due to poor water quality can affect product performance.
- * Follow steps below to maintain optimal product performance.
- * Note: please turn off water supply before maintenance process.
- * 阀芯入口堵塞会导致冷、热水流量减少影响水流效果。
- * 请按照以下步骤维护, 使产品达到最佳性能。
- * 注意: 维护前, 请先关闭供水。



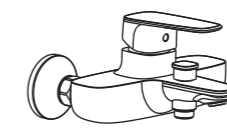
Attention:
Please leave manual with customer post installation.

安装者注意:
安装完成后, 请将此说明书留给用户。

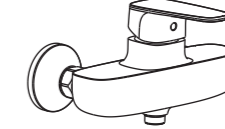
Signature 纤格

FFAS1711-609500BC0
Signature Exposed Bath & Shower Mixer
纤格挂墙式浴缸龙头(不带花洒组件)

FFAS1712-709500BC0
Signature Exposed shower mixer
纤格挂墙式淋浴龙头(不带花洒组件)



FFAS1711-609500BC0



FFAS1712-709500BC0

American Standard



Installation & Operation Instructions
安装/使用说明书

Thank you for selecting American Standard the benchmark of fine quality for over 100 years.

To ensure that your installation proceeds smoothly, please read these instructions carefully before you begin.

* American Standard continually improves our product design and performance and reserves the right to modify the dimension and specification of our product accordingly without any prior notification.

* Actual dimensions and specifications may vary, refer to physical product for exact dimensions and specification.

感谢您选购美标洁具—拥有百年优质水准的产品, 为保证安装顺利, 请在进行安装前细阅以下指南

* 美标公司一贯奉行不断提高和改善其产品设计与性能的政策, 并保留对其产品规格更改的权力, 届时, 恕不另行通知。

* 本指南仅供安装和使用作参考, 产品以实物为准。

Pre-Installation Checks 安装前注意事项

* Remove all impurities from pipes before installation to avoid clogging. Connect faucet pipes correctly. Ensure that the cold water hose is connected to the right side and the hot water hose to the left.

* Check installation distances shown in the dimension diagram to ensure correct installation.

* Warning: Avoid lifting/ holding product lever only during installation. Instead, hold product spout/ main body.

Conditions for use

* Water pressure condition: 0.05~0.75MPa (Recommended water pressure condition: 0.1~0.5MPa)

* Ambient temperature: 1~55°C

* Water temperature: 4°C ~ 90°C (Recommended hot water temperature 50~60°C)

* Steam should not be used with product.

* Note: Ensure water source is clean. Poor water quality can cause cartridge and internal components to clog, resulting in poor volume control and/ or product failure.

* 安装龙头之前, 请务必清理管中杂物, 以免造成堵塞; 龙头与冷、热水管必须连接正确。

* 参考尺寸图, 检查安装尺寸, 确保安装正确。

* 安装时, 请握住龙头主体进行操作, 不要仅握住把手进行操作, 以免损伤龙头。

使用条件

~ 使用水压 (包括冷水与热水压力): 0.05~0.75兆帕, 推荐使用水压: 0.1~0.5兆帕。

~ 使用环境温度: 1~55°C。

~ 使用水温度: 4°C~90°C, 建议使用热水的温度为50~60°C。

~ 不可使用蒸汽。

~ 使用水源: 市政饮用水。(请确保水源清洁, 低质量的水会导致阀芯或内部组件堵塞, 影响产品性能。)

Recommended Tools and Materials 推荐的工具和材料



Adjustable Wrench
扳手



Level
水平仪



Tape Measure
卷尺

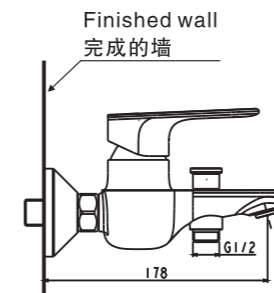
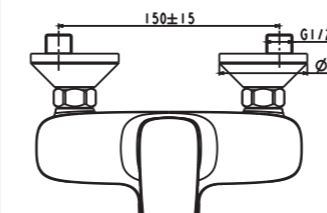
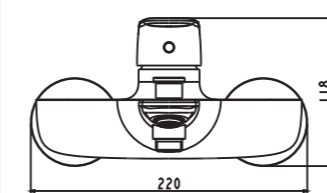


Teflon Tape
生料带

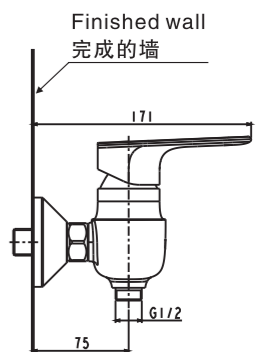
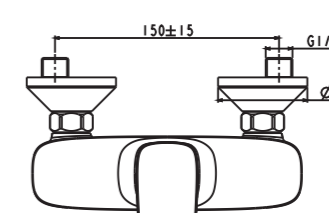
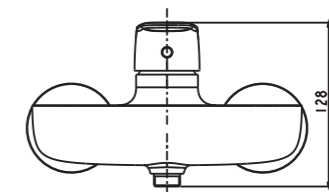
Dimension 基本尺寸

Unit: mm
单位: 毫米

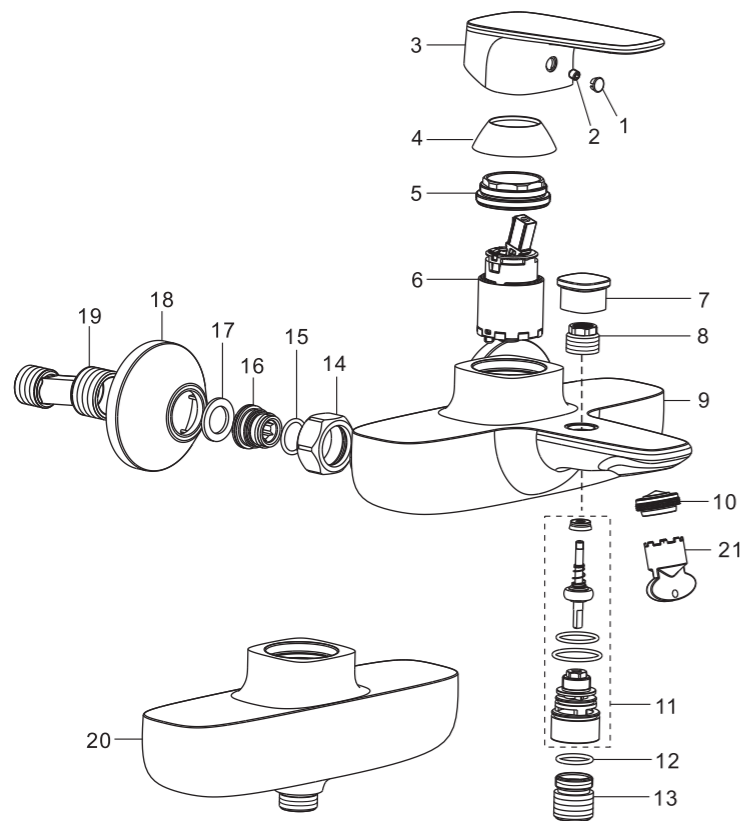
FFAS1711-609500BC0



FFAS1712-709500BC0



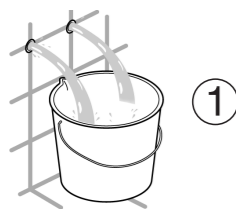
Parts List 零件明细



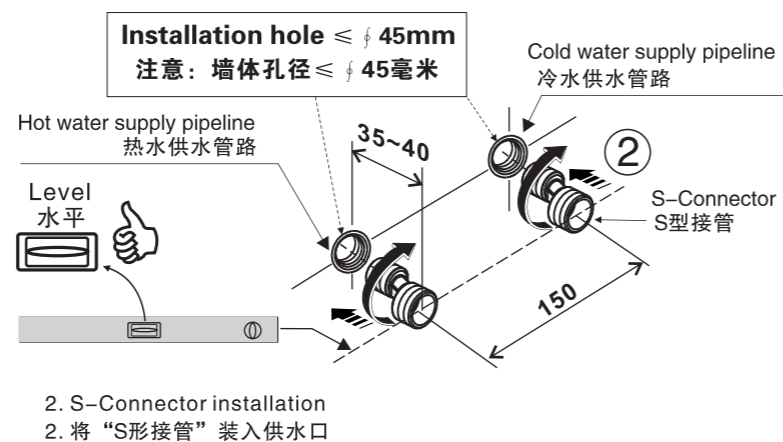
| Parts List 零配件明细表 | | | |
|-------------------|-----------------------|------------|---|
| No. 序号 | Part Name 零件名称 | Q'ty 数量 | |
| 1711 / 1712 | | | |
| 1 | Cap 孔罩 | 1 | 1 |
| 2 | Screw 螺钉 | 1 | 1 |
| 3 | Lever 把手 | 1 | 1 |
| 4 | Cover 顶盖 | 1 | 1 |
| 5 | Nut 螺母 | 1 | 1 |
| 6 | Cartridge 阀芯 | 1 | 1 |
| 7 | Diverter handle 切换阀把手 | 1 | 0 |
| 8 | Adapter 接头 | 1 | 0 |
| 9 | Body 本体 | 1 | 0 |
| 10 | Aerator 起泡器 | 1 | 0 |
| 11 | Diverter 切换阀 | 1 | 0 |
| 12 | O-ring O环 | 1 | 0 |
| 13 | Connector 接头 | 1 | 0 |
| 14 | Nut 螺母 | 2 | 2 |
| 15 | O-ring O环 | 2 | 2 |
| 16 | Connector 接头 | 2 | 2 |
| 17 | Washer 垫片 | 2 | 2 |
| 18 | Escutcheon 孔罩 | 2 | 2 |
| 19 | S-Connector S型接头 | 2 | 2 |
| 20 | Body 本体 | 0 | 1 |
| 21 | Aerator key 起泡器扳手 | 1 | 0 |

Installation 安装部分

1 S-Connector Installation 安装S型接头



1. Lay cold & hot supply pipes based on dimension drawing. Before installation, the laying of pipeline is rinsed clean.
1. 参考尺寸图, 铺设冷、热供水管路。安装前, 请将铺设的管路冲洗干净。



2 Faucet Installation 安装龙头

