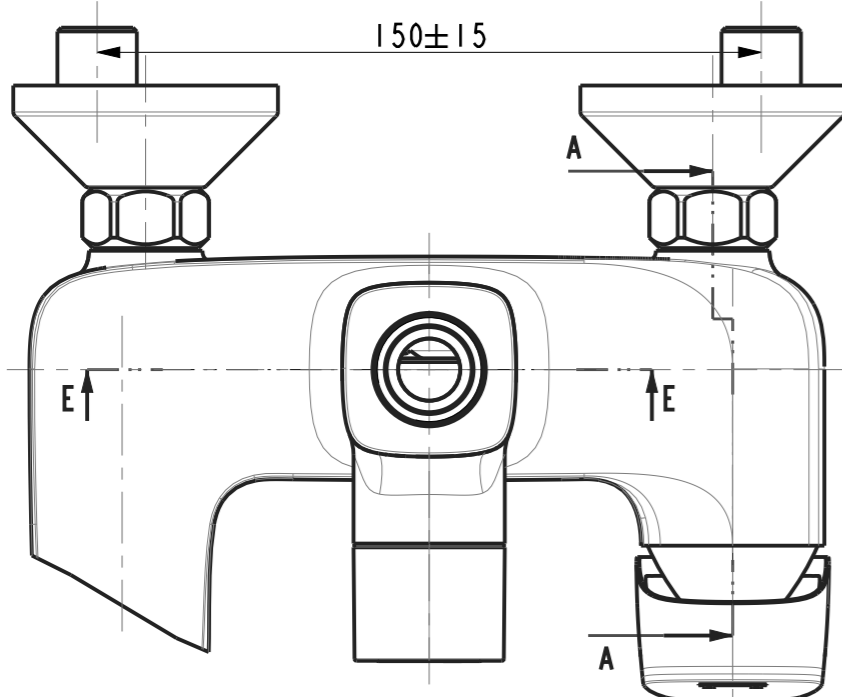
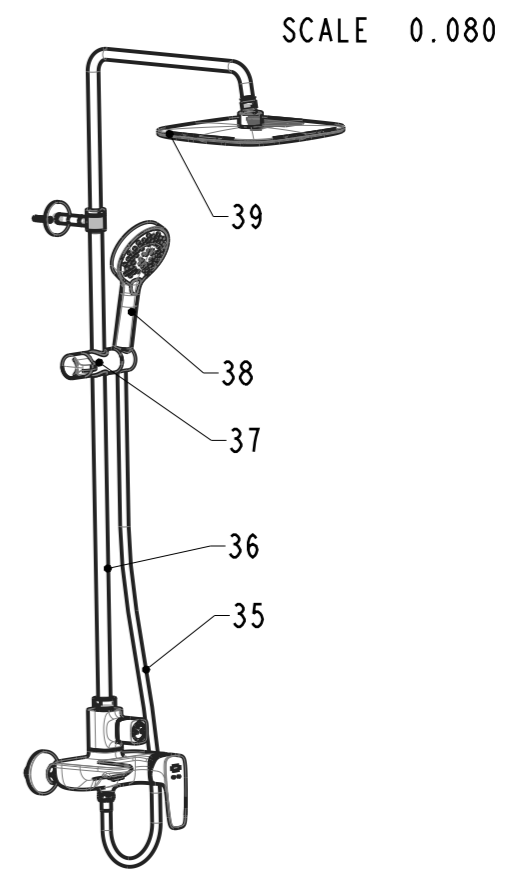
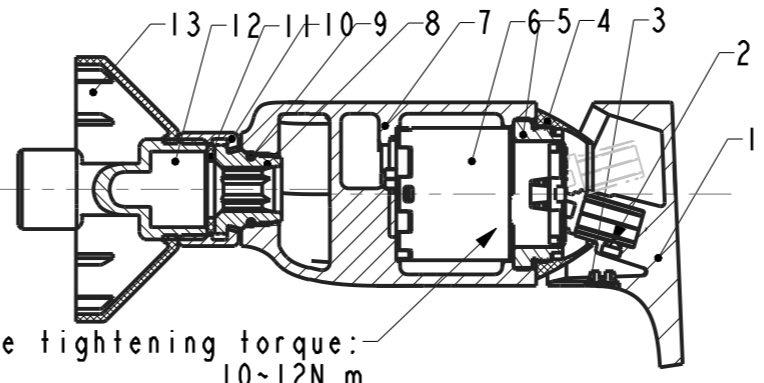
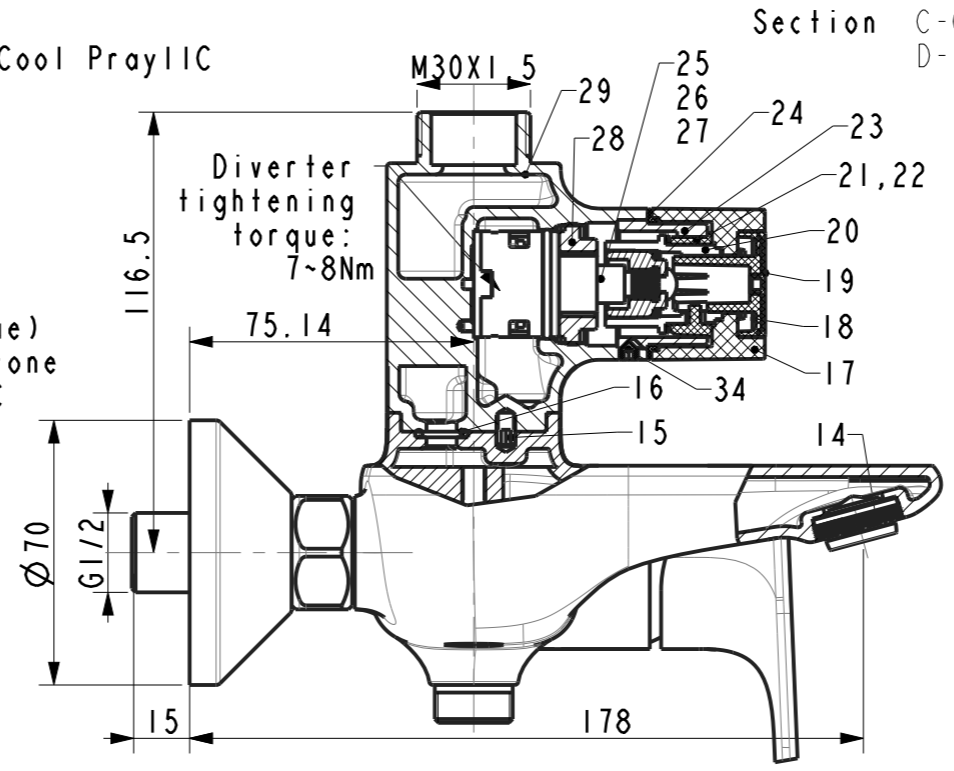
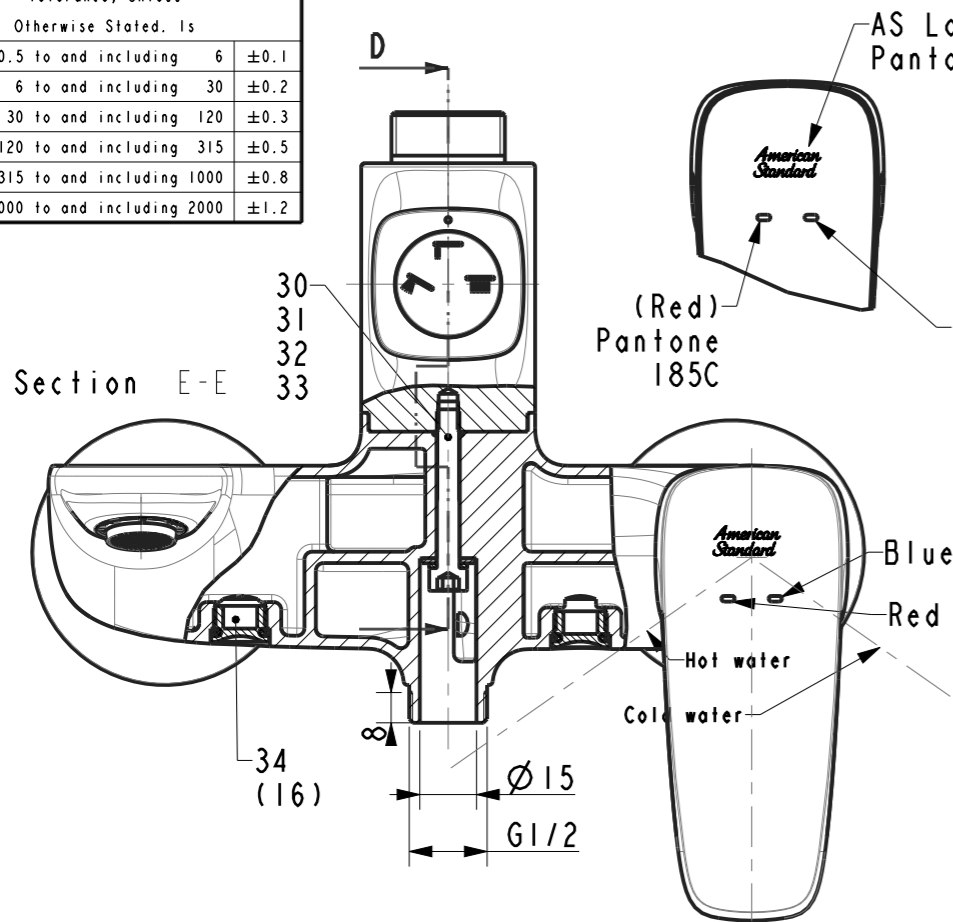


Tolerance, Unless Otherwise Stated, Is				
Above 0.5 to and including 6	±0.1			
Excess 6 to and including 30	±0.2			
Excess 30 to and including 120	±0.3			
Excess 120 to and including 315	±0.5			
Excess 315 to and including 1000	±0.8			
Excess 1000 to and including 2000	±1.2			



No.	Code	Name and description	Qty	Material	Remark
34	FF1-CN521N00000187	Screw M5*5	1	SUS304	
33	FF1-CN521Z00001099	Plug for A52 Body	2	HPb59-1	Cr Plating
32	FF1-CN521Z00000153	Spring washer Φ6	1	SUS304	
31	FF1-CN521W00000012	S.S washer (14*6*1.6)	1	SUS304	
30	FF1-CN521N00000144	Bolt M6X42	1	SUS304	
29	FF1-CN521G00000336	O ring 6*1	1	NER	
28	FFZZ0021-0024750FL	Signature diverter body	1	GkMs60Fk	Cr Plating
27	FF1-CN521N00000006	diverter lock nut	1	HPb59-1	
26	FF1-CN521N00000161	handle screw	1	SUS304	
25	FF1-CN521J0019899B	Adaptor (20spline-60spline)	1	HPb59-1	
24	FF1-CN521C0003199P	28mm 3way diverter	1	组件	
23	FF1-CN521G0005199P	Signature diverter washer	1	POM	
22	FF1-CN521J0019650B	Signature diverter seat	1	HPb59-1	Cr Plating
21	FF1-CN521J0010599P	Handle Bushing for Easy Dial	1	POM	
20	FF1-CN521J0019599P	Signature diverter adaptor	1	POM+GF26	
19	FF1-CN521J0019799P	Signature diverter handle cover	1	POM	
18	FF1-CN521F0003950P	Handle Cover for Easy Dial	1	ABS	Cr Plating

No.	Code	Name and description	Qty	Material	Remark
17	FF1-CN521L0006950P	Signature diverter handle	1	ABS	Cr Plating
16	FF1-CN521G00000276	O ring Φ10*Φ2	5	NER	
15	FF1-CN521N00000184	Screw M5	1	SUS304	
14	FF1-CN521SLB0000050	1585007050\M24X1 SLIM Air Aerator	1	Part	
13	FF1-CN521F00000094	Cover	2	ABS	Cr Plating
12	FF1-CN521J00000242	S connector G1/2 - G3/4	2	SUS304	
11	FF1-CN521G00000341	Washer Φ24*Φ15*2	2	NER	
10	FF1-CN521N00000291	Nut G3/4	2	HPb59-1	
9	FF1-CN521G00000112	O-ring 15.6*1.78	2	NER	
8	FF1-CN521W00000048	THREADED NIPPLE	2	SUS304	
7	FFZZ0021-0024650PL	Signature rain shower faucet body	1	GkMs60Fk	Cr Plating
6	FF1-CN521C0002499P	Grohe 35mm Cartridge	1	Part	
5	FF1-CN521N0005499B	35mm cartridge nut	1	HPb59-1	
4	FF1-CN521F0007350P	35mm cartridge cover	1	ABS	Cr Plating
3	FF1-CN521Z00004950	Handle cover	1	ABS	Cr Plating
2	FF1-CN521N00001099	Handle Screw M5*6	1	SUS304	
1	FF1-CN521L0006550X	Signature exposed BS mixer handle	1	ZZnA14-1	Cr Plating

No.	Code	Name and description	Qty	Material	Remark
39	FFASS044-006500BCO	10" R&S Shower Head	1	Components	Cr Plating
38	FF1-CN521H000605AP	Signature 3F Hand Shower	1	Components	Cr Plating
37	FF1-CN521Z0011550P	Easy Slide Shower Holder	1	Components	Cr Plating
36	FFAS9A09-000500BCO	Rain Shower Kit	1	Components	Cr Plating
35	FFAS9127-000500BCO	1.5m Shower Hose	1	Components	Silver

REV	DESCRIPTION	DATE	NAME

DESIGNED	CHECKED	APPROVED	SCALE	MATERIAL	WEIGHT	DWG NO.	TITLE
			1:2	Assembly		FFAS1772-701500BCO	Signature exposed Bath & Shower mixer with integrated Rainshower kit

