

Signature

Signature One-Piece Toilet w/ Neo Modern S&C

Toilet

STYLE SEGMENT

- Modern

KEY SPECIFICATIONS

- Product Dimensions: 727*384*650 mm
- Installation Type: Floor Standing
- Flushing System: SiphonMax
- Flushing Platform: Siphon Jet
- Flushing Type: Dual flush
- Flushing Volume: 3.5/5 litre per flush
- Trapway: S Trap
- Rough In: 400 mm
- Trapway Design: Fully Skirted
- Bowl Shape: Elongated
- Water Pressure, Dynamic (MPa): 0.14 Megapascal
- Water Pressure, Static (MPa): 0.55 Megapascal
- Material: Vitreous China
- Color Availability: White Heat II



SHIPPING WEIGHT

- Net Weight: 46 kg
- Gross Weight: 56 kg

KEY TECHNOLOGIES AND FEATURES

HYGIENE

- Aqua Ceramic
- ComfortClean
- Power Rim

COMFORT

- Comfort Curve Seat
- Right Height

CONVENIENCE

- Skirted Design
- Quick-Detach Seat Cover
- Easy Release
- Easy Lift
- Slow-Closing Seat & Cover

DURABILITY

- Complies with American Standard Quality Standards

SUSTAINABILITY

- Dual Flush
- Water-Saving

SAFETY

- Complies with American Standard Quality Standards

OTHERS

- NIL

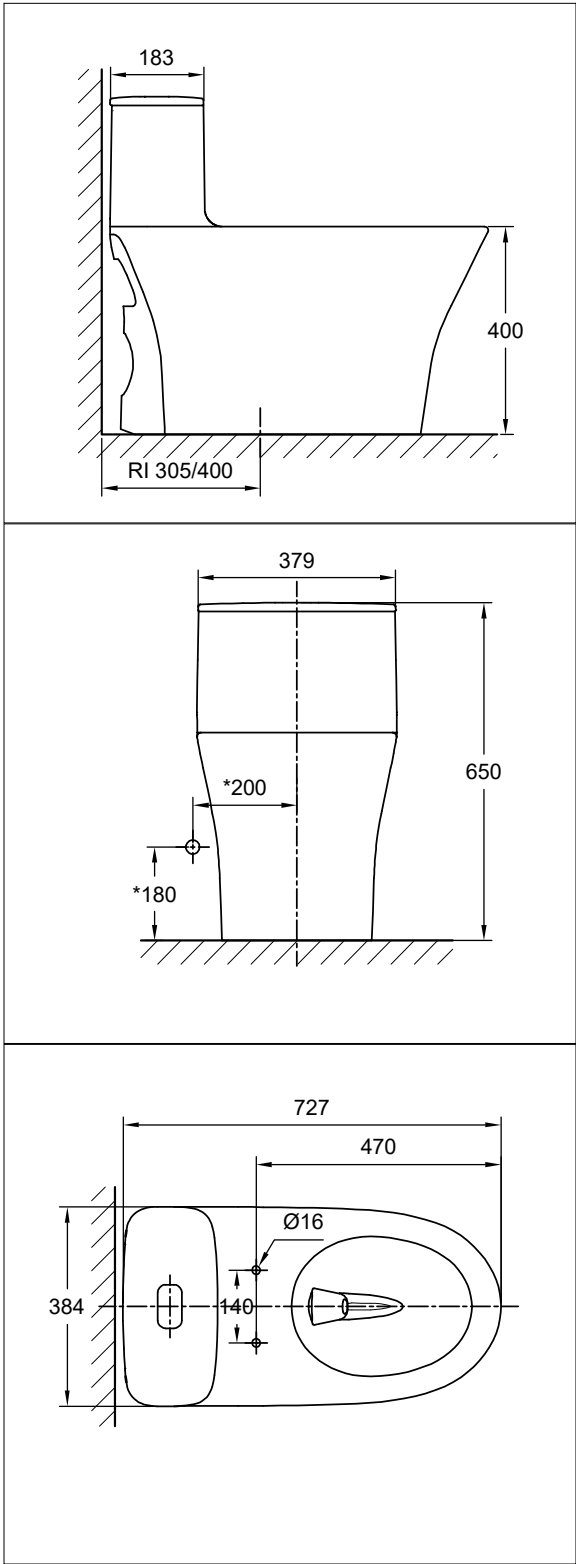
STANDARDS AND CERTIFICATIONS

- GB/T 6952-2015

Signature

Signature One-Piece Toilet w/
Neo Modern S&C

Toilet



Signature

Signature One-Piece Toilet w/
Neo Modern S&C

Toilet

Item	Description	N/A
Dimensions	Product (mm)	727*384*650 mm
Material & Color	Material	Vitreous China
	Color	White Heat II
Bowl	Shape	Elongated
Trapway	Type	S Trap
	Rough-in (mm)	400 mm
	Design	Fully Skirted
Flushing	System	SiphonMax
	Type	Dual flush
	Platform	Siphon Jet
	Volume	3.5/5 litre per flush
Water Pressure	Dynamic (MPa)	0.14 Megapascal
	Static (MPa)	0.55 Megapascal
Installation	Type	Floor Standing
Components	Toilet Seat Included	Yes
Shipping	Net Weight (kg)	46 kg
	Gross Weight (kg)	56 kg
	Product Weight (kg)	46 kg
	Dimensions (mm)	730*420*1050 mm