

# Signature

## Signature CCBTW 3/4.5L CBR WT

Toilet

### STYLE SEGMENT

- Modern

### KEY SPECIFICATIONS

- Product Dimensions: 406 x 684 x 780 mm
- Installation Type: Floor Mounted
- Flushing System: Double Vortex
- Flushing Platform: Washdown
- Flushing Type: Dual flush
- Flushing Volume: 3/4.5 litre per flush
- Trapway: S Trap
- Rough In: 305 mm
- Trapway Design: Fully Skirted
- Bowl Shape: Elongated
- Water Pressure, Dynamic (MPa): 0 Megapascal
- Water Pressure, Static (MPa): 0.14-0.55 Megapascal
- Material: Vitreous China
- Color Availability: White



### SHIPPING WEIGHT

- Net Weight: 52.8 kg
- Gross Weight: 58.1 kg

### KEY TECHNOLOGIES AND FEATURES

#### HYGIENE

- Hygiene Rim
- Aqua Ceramic
- ComfortClean
- Double Vortex

#### COMFORT

- Right Height
- Comfort Curve Seat
- Comfort Push Button

#### CONVENIENCE

- Quick-Detach Seat Cover
- Skirted Design
- Slow-Closing Seat & Cover
- Easy Lift
- Easy Release

#### DURABILITY

- Complies with American Standard Quality Standards

#### SUSTAINABILITY

- Dual Flush
- Water-Saving

#### SAFETY

- Complies with American Standard Quality Standards

#### OTHERS

- NIL

### STANDARDS AND CERTIFICATIONS

- BS EN 997:2018
- TIS 792-2011
- SS 378-1996
- SNI 03-0797-2006

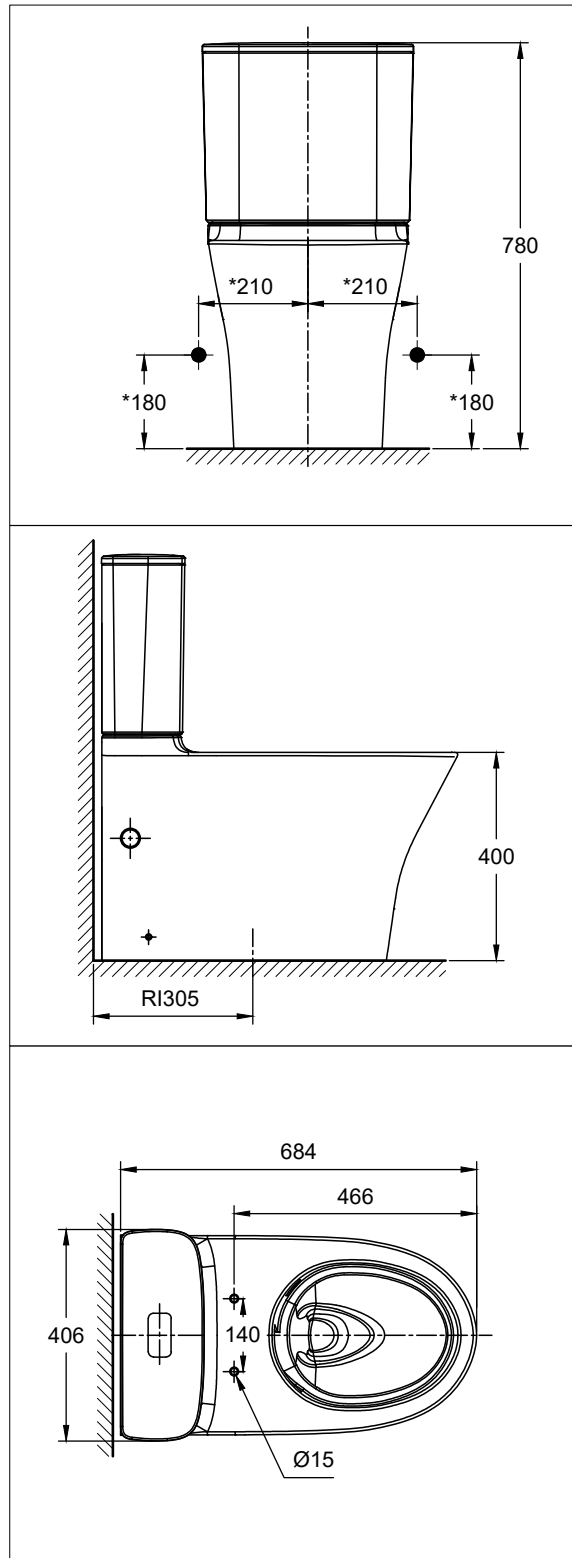
CL26225-6DACTCB

*American Standard*

Signature

Signature CCBTW 3/4.5L CBR WT

Toilet



## Signature

## Signature CCBTW 3/4.5L CBR WT

## Toilet

Item	Description	Signature CCBTW 3/4.5L CBR WT
Dimensions	Product (mm)	406 x 684 x 780 mm
Material & Color	Material	Vitreous China
	Color	White
Bowl	Shape	Elongated
Trapway	Type	S Trap
	Rough-in (mm)	305 mm
	Design	Fully Skirted
Flushing	System	Double Vortex
	Type	Dual flush
	Platform	Washdown
	Volume	3/4.5 litre per flush
Water Pressure	Dynamic (MPa)	0 Megapascal
	Static (MPa)	0.14-0.55 Megapascal
Installation	Type	Floor Mounted
Components	Toilet Seat Included	Yes
Shipping	Net Weight (kg)	52.8 kg
	Gross Weight (kg)	58.1 kg
	Product Weight (kg)	53.12 kg
	Dimensions (mm)	465 x 920 x 545 mm