

Acacia Evolution

Acacia SupaSleek WH 3/4.5 W/
S&C WT

Toilet

STYLE SEGMENT

- Modern

KEY SPECIFICATIONS

- Product Dimensions: 376 x 555 x 400 mm
- Installation Type: Wall Hung
- Flushing System: Double Vortex
- Flushing Platform: Washdown
- Flushing Type: Dual flush
- Flushing Volume: 3/4.5 litre per flush
- Trapway: P Trap
- Rough In: 220 mm
- Trapway Design: Fully Skirted
- Bowl Shape: Elongated
- Water Pressure, Dynamic (MPa): 0 Megapascal
- Water Pressure, Static (MPa): 0.14-0.55 Megapascal
- Material: Vitreous China
- Color Availability: White



SHIPPING WEIGHT

- Net Weight: 36.28 kg
- Gross Weight: 36.28 kg

KEY TECHNOLOGIES AND FEATURES

HYGIENE

- Aqua Ceramic
- ComfortClean
- Power Rim
- Double Vortex

COMFORT

- Comfort Curve Seat

CONVENIENCE

- Easy Release
- Quick-Detach Seat Cover
- Slow-Closing Seat & Cover
- Skirted Design

DURABILITY

- Complies with American Standard Quality Standards

SUSTAINABILITY

- Dual Flush
- Water-Saving

SAFETY

- Complies with American Standard Quality Standards

OTHERS

- NIL

STANDARDS AND CERTIFICATIONS

- TIS 792-2011

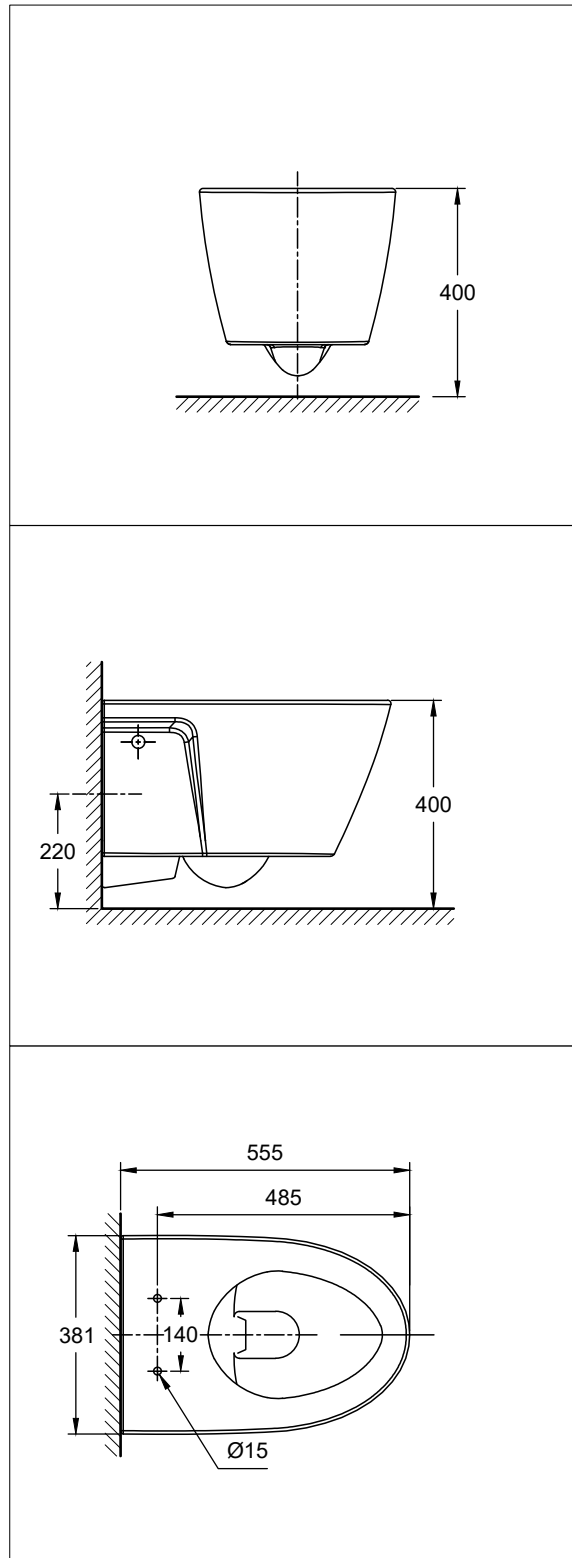
CL31197-6DACTPTB

American Standard

Acacia Evolution

Acacia SupaSleek WH 3/4.5 W/
S&C WT

Toilet



Acacia Evolution

Acacia SupaSleek WH 3/4.5 W/
S&C WT

Toilet

Item	Description	Acacia SupaSleek WH 3/4.5 W/ S&C WT
Dimensions	Product (mm)	376 x 555 x 400 mm
Material & Color	Material	Vitreous China
	Color	White
Bowl	Shape	Elongated
Trapway	Type	P Trap
	Rough-in (mm)	220 mm
	Design	Fully Skirted
Flushing	System	Double Vortex
	Type	Dual flush
	Platform	Washdown
	Volume	3/4.5 litre per flush
Water Pressure	Dynamic (MPa)	0 Megapascal
	Static (MPa)	0.14-0.55 Megapascal
Installation	Type	Wall Hung
Components	Toilet Seat Included	Yes
Shipping	Net Weight (kg)	36.28 kg
	Gross Weight (kg)	36.28 kg
	Product Weight (kg)	30.53 kg
	Dimensions (mm)	470 x 600 x 510 mm