

1009150000

No Collection -AS

Fairbury QS Pull-Out Kitchen Faucet

STYLE SEGMENT

- Contemporary

KEY SPECIFICATIONS

- Product Description:
- Colour: Chrome
- Faucet Type: Mixer
- Spout Type: Arc
- Flow Rate: 3.1 litre per minute
- Connection Size (inches): G 1/2



SHIPPING WEIGHT

- Net Weight: Contact us for more information
- Gross Weight: Contact us for more information

KEY TECHNOLOGIES AND FEATURES

HYGIENE

- Complies with American Standard Quality Standards

COMFORT

- Complies with American Standard Quality Standards

CONVENIENCE

- Complies with American Standard Quality Standards

DURABILITY

- Complies with American Standard Quality Standards

SUSTAINABILITY

- Complies with American Standard Quality Standards

SAFETY

- Complies with American Standard Quality Standards

OTHERS

- NIL

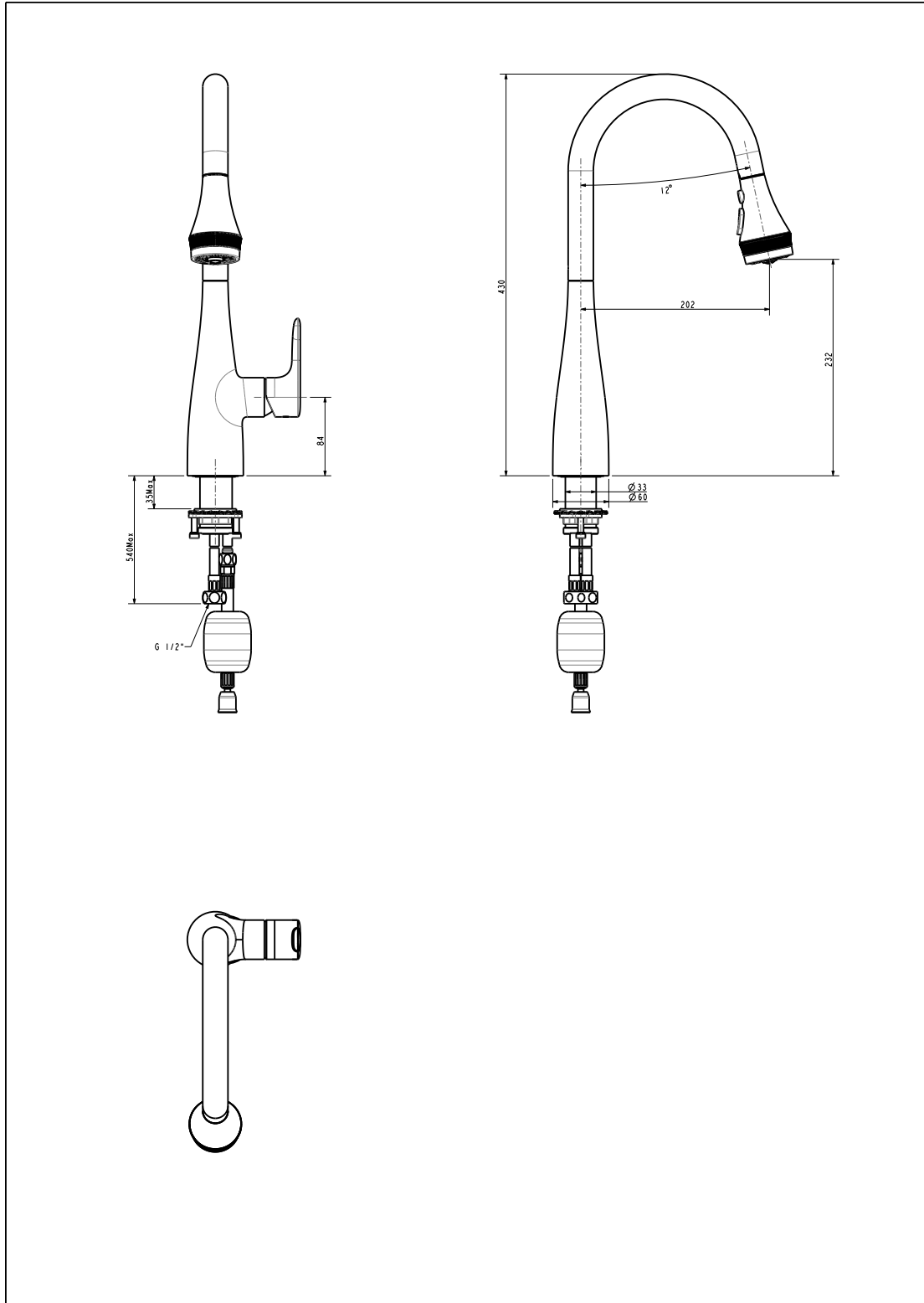
STANDARDS AND CERTIFICATIONS

- GB 18145-2014

1009150000

No Collection -AS

Fairbury QS Pull-Out Kitchen Faucet



1009150000

No Collection -AS

Fairbury QS Pull-Out Kitchen Faucet

Product	Description	
	Weight (kg)	2.93 kg
	Finish	Chrome
	Flow Rate	3.1 litre per minute
	Mounting Location	Deck Mount
Material & Color	Material	Others
	Color	Chrome
Faucet	Type	Mixer
	No. of Holes Required	1
Connection	Size (mm)	21
	Size (inches)	G 1/2
Handle	Material	Zinc Die Cast
	Type	Lever
	No. of Handles	1
Components	Drain Included	No
	Included	n/a
	Excluded	n/a
Spout	Hose Thread in Spout	No
	Dimensions (mm)	Spout Reach: 202 , Spout Height: 232
	Type	No
Valve	Type	Ceramic