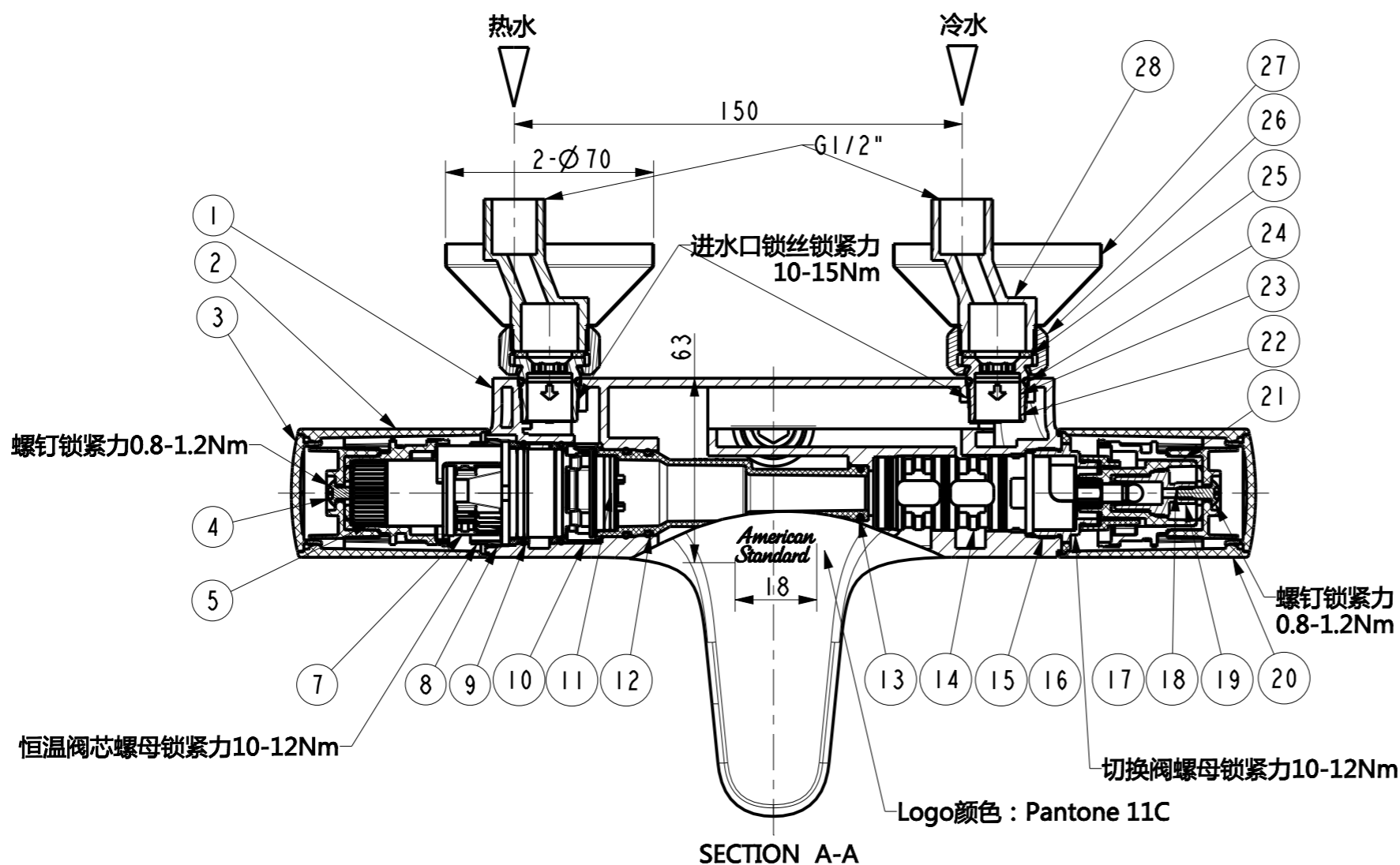
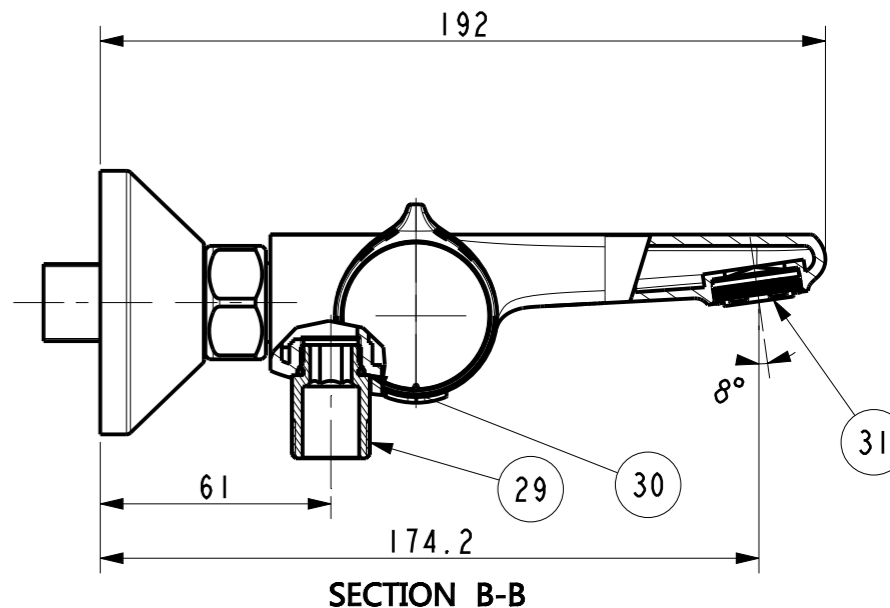
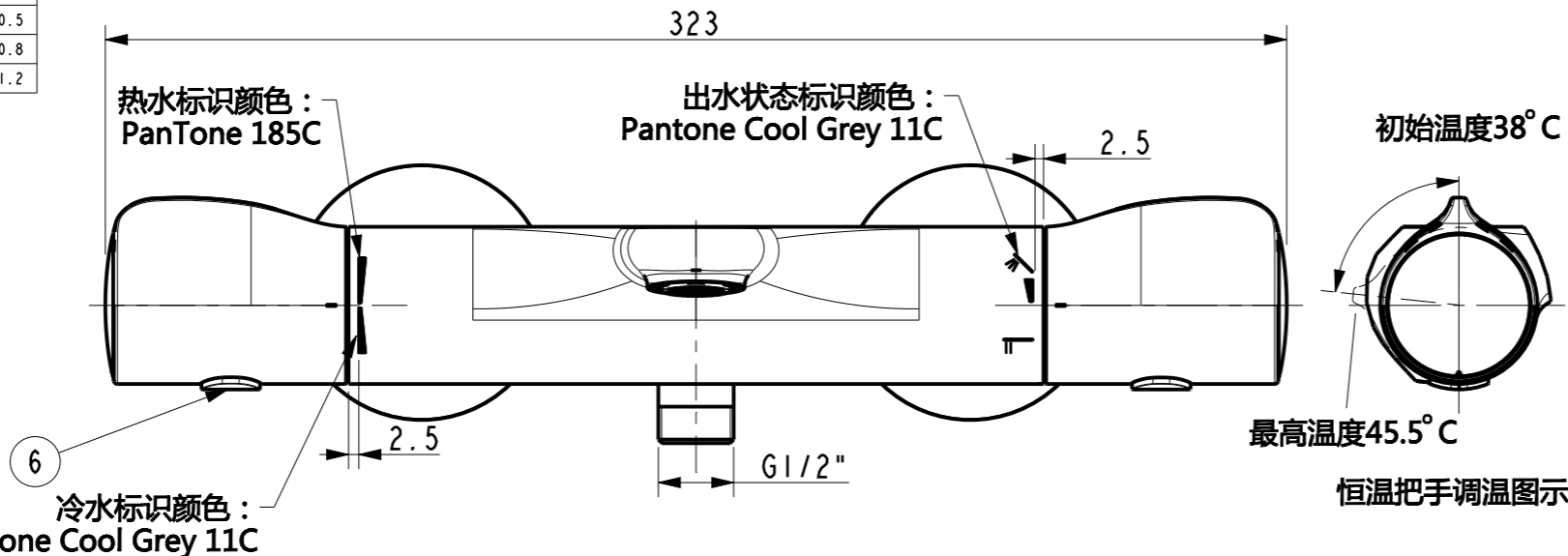
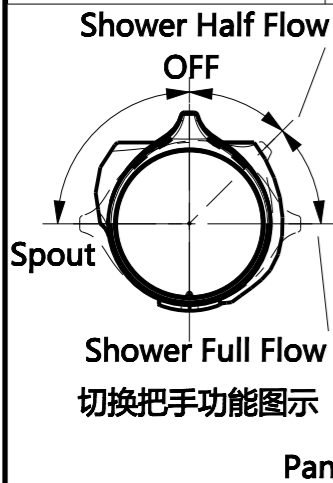


| Tolerance, Unless Otherwise Stated, Is | | | |
|--|------|--|--|
| Above 0.5 to and including 6 | ±0.1 | | |
| Excess 6 to and including 30 | ±0.2 | | |
| Excess 30 to and including 120 | ±0.3 | | |
| Excess 120 to and including 315 | ±0.5 | | |
| Excess 315 to and including 1000 | ±0.8 | | |
| Excess 1000 to and including 2000 | ±1.2 | | |



| 31 | FF1-CN521A00000106 | Slim Aerator M24×1 | 1 | Assembly | |
|-----|--------------------|--|-----|-------------|--------|
| 30 | FF1-CN521G00000009 | O Ring Φ14×Φ1.78 | 1 | NBR | |
| 29 | FF1-CN521J00000193 | Adapter(M16×1) | 1 | Hpd59-1 | |
| 28 | FF1-CN521J00000242 | Small S Con Tube (Cr) | 2 | SUS304 | |
| 27 | FF1-CN521F00000094 | 2000 Escutcheon(Cr) | 2 | Hpd59-1 | |
| 26 | FF1-CN521N00000291 | NUT-G3/4inch,Cr | 2 | Hpd59-1 | |
| 25 | FF1-CN521G00000341 | Washer Φ24×Φ15×2(A913204) | 2 | NBR | |
| 24 | FF1-CN521G00000251 | O Ring Φ17×Φ2 | 2 | NBR | |
| 23 | FF1-CN521J00000381 | Nipple(M20×1) | 2 | Hpd59-1 | |
| 22 | FF1-CN521Z00005199 | Check Valve (30404300002) | 2 | Assembly | |
| 21 | FF1-CN521J0015999P | Adaptor for Flow Control | 1 | Assembly | |
| 20 | FF1-CN521L0006850P | Handle for AS exposed THM (Right) | 1 | ABS | |
| 19 | FF1-CN521J0012499B | Lock for Handle for INAX exposed thm bns | 1 | ABS | |
| 18 | FF1-CN521J0011499P | Adaptor | 1 | ABS | |
| 17 | FF1-CN521Z0006399P | Adjuster for flow rate | 1 | ABS | |
| 16 | FF1-CN521G0004099P | Plastic Washer | 1 | ABS | |
| 15 | FF1-CN521N0004099B | Nut for Diverter | 1 | Hpd59-1 | |
| 14 | FF1-CN521C0002299P | Diverter | 1 | Assembly | |
| 13 | FF1-CN521G00000134 | O-Ring Φ12.42×Φ1.78 | 1 | NBR | |
| 12 | FF1-CN521G00000111 | O-Ring Φ24×Φ2 | 1 | NBR | |
| 11 | FF1-CN521T0002199P | Mixed water pipe | 1 | PSU | |
| 10 | FF1-CN521Z0006899P | Water Guide | 1 | PPE/PC+GF20 | |
| 9 | FF1-CN521G00000294 | O Ring Φ24×Φ1.5 | 1 | NBR | |
| 8 | FF1-CN521N0004199B | Nut for Thermostatic Valve | 1 | SUS304 | |
| 7 | FF1-CN521C0002099P | Thermostatic Valve | 1 | Assembly | |
| 6 | FF1-CN521J0011550P | Button for THM handle | 2 | ABS | |
| 5 | FF1-CN521J0011399P | Adaptor for Thermostatic Valve | 1 | Assembly | |
| 4 | FF1-CN521N00000130 | Screw | 2 | SUS304 | |
| 3 | FF1-CN521F0005450P | Handle cover for exposed thm bns | 2 | ABS | |
| 2 | FF1-CN521L0005850P | Handle for AS exposed THM (Left) | 1 | ABS | |
| 1 | FFZZ0021-0021450PL | Body for exposed thm BnS | 1 | GkMs60Fk | Chrome |
| NO. | PART NO. | PART NAME | QTY | MATERIAL | FINISH |

| DESIGNED | | | TITLE |
|----------|----------|--------|--------------------|
| CHECKED | | | REF |
| APPROVED | | | 挂墙恒温浴缸龙头 |
| SCALE | MATERIAL | WEIGHT | DWG NO. |
| 0.500 | Assembly | | FFAS4949-609500BC0 |



技术要求：
 1、产品的镀铬面符合《WI10.0562 内控标准-电镀产品外观检验标准》；
 2、产品性能符合《WI10.0504 内控标准-陶瓷片密封水嘴（通用）》及《WI10.0570 恒温龙头》；

| REV | DESCRIPTION | DATE | NAME |
|-----|-------------|------|------|
| | | | |