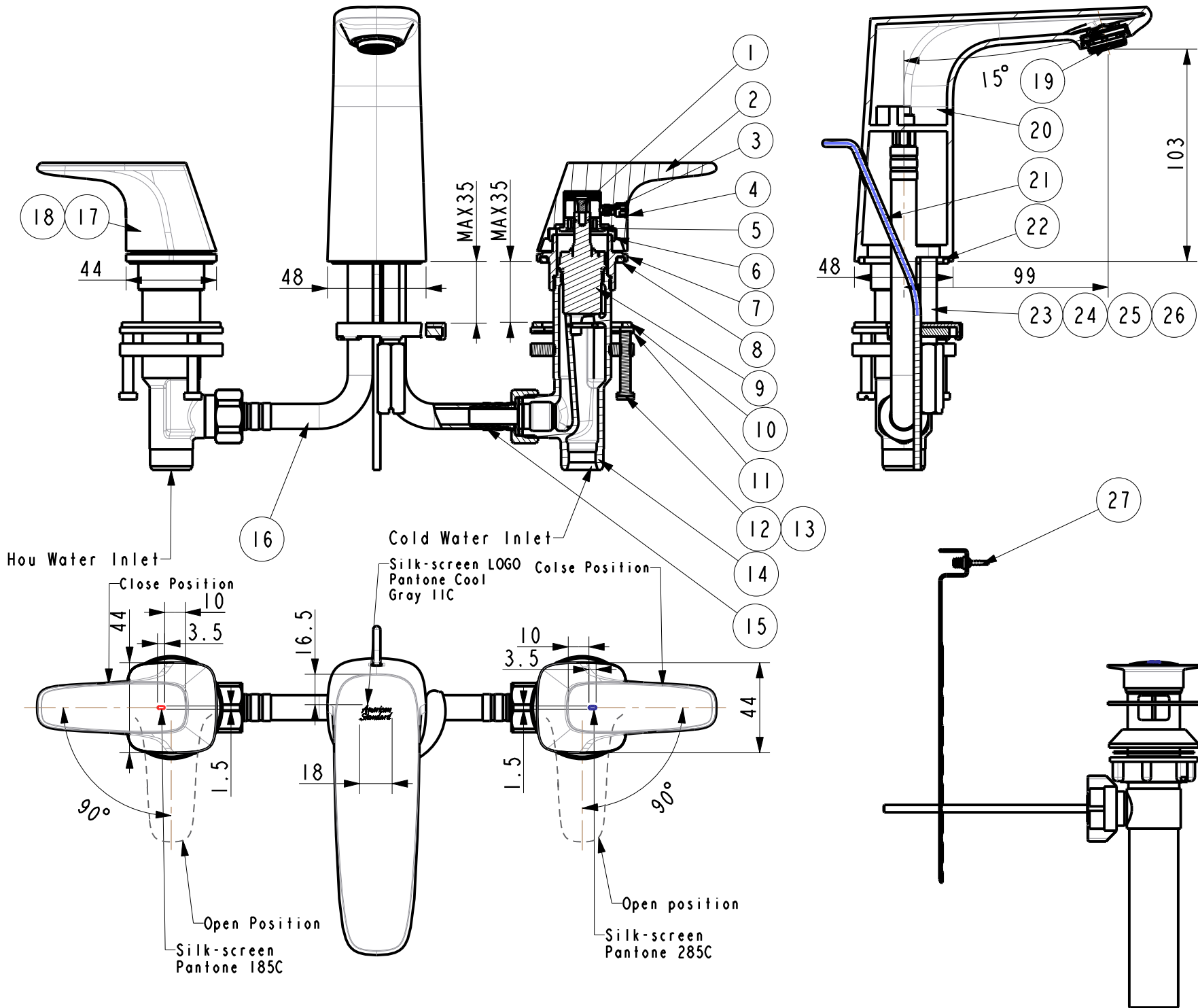


Tolerance, Unless Otherwise Stated, Is			
Above	0.5 to and including	6	±0.1
Excess	6 to and including	30	±0.2
Excess	30 to and including	120	±0.3
Excess	120 to and including	315	±0.5
Excess	315 to and including	1000	±0.8
Excess	1000 to and including	2000	±1.2



Technical requirements:  
 1. Cartridge locking force 10-12N.m, Other locking Force reference «W109.1520».  
 2. O-ring paint DCIII.  
 3. The product performance accord with «GB 18145» and «W110.0504».

27	FF1-CN521X00004650	Drain	Assemble	1	
26	FF1-CN521Z00000438	MOUNTING STUD-SF1520,N	SUS304	1	
25	FF1-CN521G00000092	Improve GNV Sgl Rubber Washer	NBR	1	
24	FF1-CN521F00000064	Improve GNV Sgl Fix Plate	SUS304	1	
23	FF1-CN521N00000073	Improve GNV Sgl Hole FT LockNutNutNut	HPb59-1	1	
22	FF1-CN521G00000067	Washer for Saga Single-hole	NBR	1	
21	FF1-CN521J0015899S	Lift Rod	HPb59-1	1	
20	FFZZ0021-0025150PL	Body	Low lead	1	
19	FF1-CN521A0001799P	Aerator	Assemble	1	
18	FF1-CN521L0007350X	Handle Red Logo	ZZnA14-1	1	
17	FF1-CN521C00000030	1586022599\1/2 Ceramic Disc Cartridge A/	Assemble	1	
16	FF1-CN521T00000017	The Flexible Pipe for Tonic ASKI Single-	Assemble	1	
15	FF1-CN521T00000018	The Flexible Pipe for Tonic ASKI Single-	Assemble	1	
14	FFZZ0200-60150BDMC	Side Valve (A900862) Export Mexico N(Mac	Low lead	2	
13	FF1-CN521J00000416	158A918379\Bolt for Moments 3-Hole Lava.	SUS304	6	
12	FF1-CN521N00000220	158A906198\Nut for Moment 3-Hole Lava.	HPb59-1	2	
11	FF1-CN521W00000045	Brass Washer for Moments 3-Hole Lava.	HPb59-1	2	
10	FF1-CN521G00000035	Flat Washer 48* 39*2.5	NBR70	2	
9	FF1-CN521C00000029	1/2 Ceramic Disc Cartridge A/Cl Close(T	Assemble	1	
8	FF1-CN521G00000366	1581446599\Handle washer For A41 3-Hole	NBR	2	
7	FF1-CN521F0008950B	Base For Handle	HPb59-1	2	
6	FF1-CN521Z0012299P	Lining For Handle	POM	2	
5	FF1-CN521J00000563	Handle Support	POM	2	
4	FF1-CN521Z00004950	Plug for handle (Chrome)	ABS	2	
3	FF1-CN521N00000228	Lock Nut	SUS304	2	
2	FF1-CN521L0007150X	Handle Blue Logo	ZZnA14-1	1	
1	FF1-CN521N00000154	I.S.Valve S/A 1Type Screw M4	HPb59-1	2	
No.	P/N	Name	Material	Number	Remark

DESIGNED	TITLE		
CHECKED	REF		
APPROVED	3 Holes Basin Mixer		
SCALE	MATERIAL	WEIGHT	DWG NO.
0.400			FFAS1703-1015L0BC0

**American Standard**

REV	DESCRIPTION	DATE	NAME

SCALE 0.300