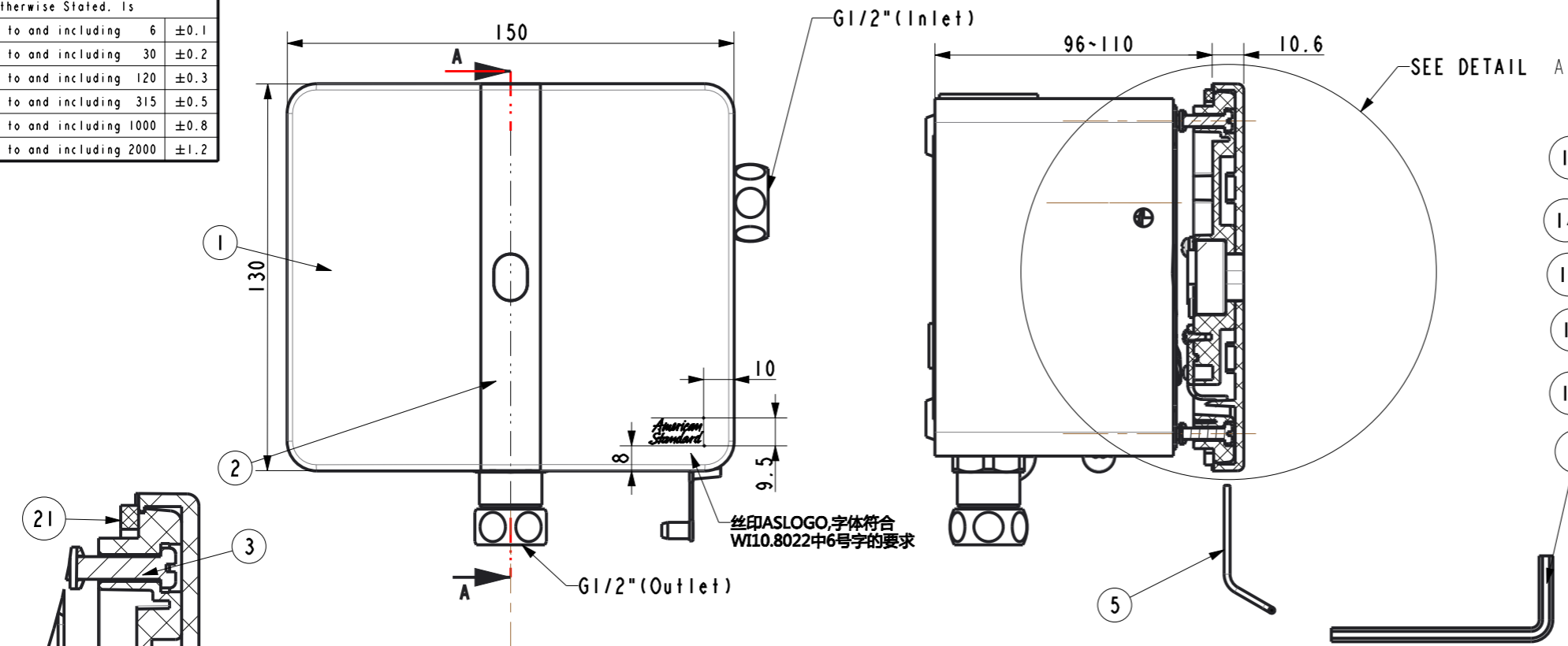
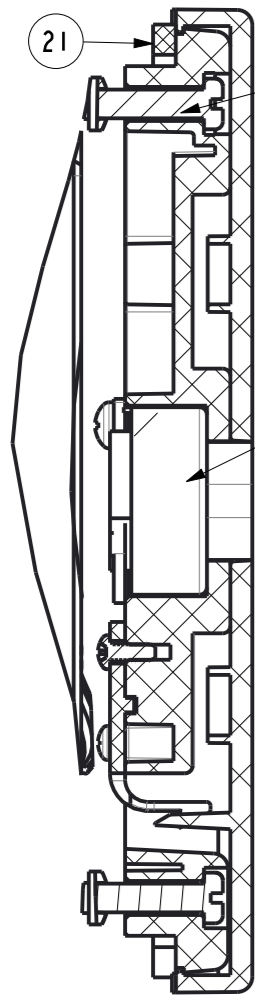
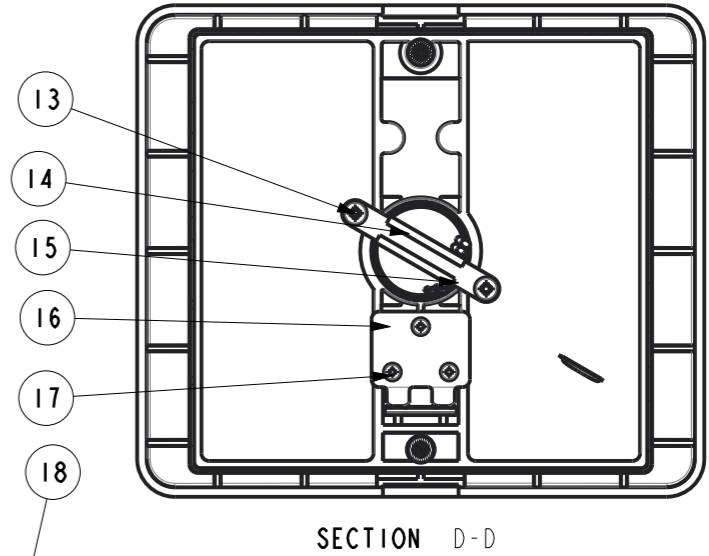


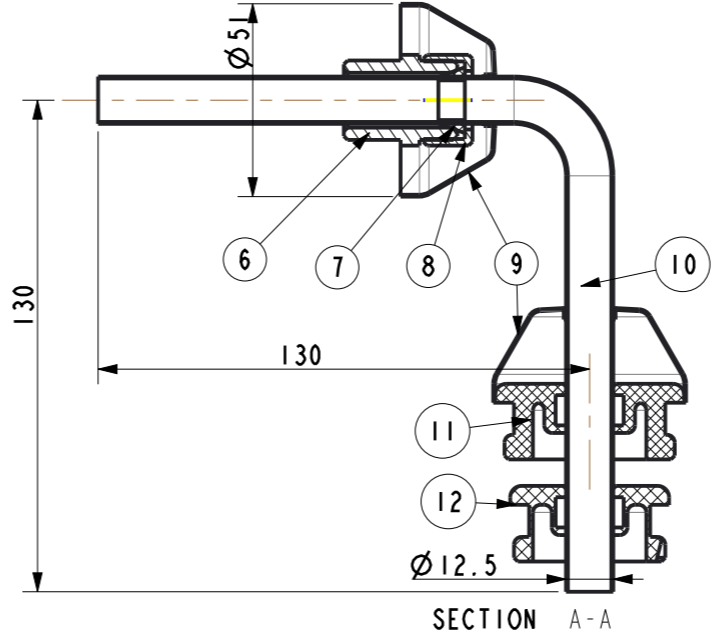
Tolerance, Unless Otherwise Stated, Is				
Above	0.5 to and including	6	±0.1	
Excess	6 to and including	30	±0.2	
Excess	30 to and including	120	±0.3	
Excess	120 to and including	315	±0.5	
Excess	315 to and including	1000	±0.8	
Excess	1000 to and including	2000	±1.2	



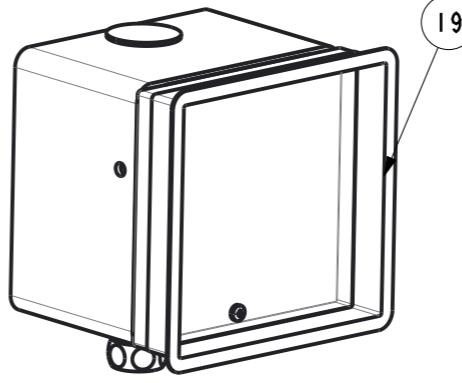
丝印ASLOGO,字体符合W110.8022中6号字的要求



DETAIL A  
SCALE 1.000



SECTION A-A



SCALE 0.300

21	FF1-CN521G00000068	1581182699\入墙式感应小便冲洗阀压紧块衬垫	1	EVA	
20	FF1-CN521S00000054	1582443599\交流电源盒 (JM3型)	1	Assembly	
19	FF1-CN521Z00000286	1582403399\EL感应龙头控制盒体	1	Assembly	
18	FF1-CN521Z00000257	1582362499\六方扳手 (对边4)	1	SUS304	
17	FF1-CN521N00000173	1581837799\螺钉 M2.5*6	3	SUS304	
16	FF1-CN521Z00000056	1580744599\EL入墙式感应小便阀卡钩	1	PE	
15	FF1-CN521Z00000061	1580771399\入墙式感应小便阀感应器压板	1	SUS304	
14	FF1-CN521G00000068	1581182699\入墙式感应小便冲洗阀压紧块衬垫	1	NBR	
13	FF1-CN521N00000174	1581837899\螺钉 ST 2.9*12	2	SUS304	
12	FF1-CN521G00000065	1581182399\小便冲洗阀密封圈 32孔	1	NBR	
11	FF1-CN521G00000061	1581181199\一体式感应冲洗阀出水管垫片	1	NBR	
10	FF1-CN521P00000005	1581933550\入墙式感应小便阀出水弯管	1	H65	镀铬
9	FF1-CN521F00000117	1580804550\入墙式感应小便阀孔罩	2	ABS	镀铬
8	FF1-CN521N00000008	1580480199\1/2inch NPSM 管牙螺帽 1/2inch-14	1	Hpd59-1	
7	FF1-CN521G00000173	1581261899\GNV6inch锥形密封圈	1	NBR	
6	FF1-CN521J00000246	1581929850\转换接头	1	Hpd59-1	
5	FF1-CN521J00000211	1581800499\EL入墙感应小便冲洗阀面板插销	1	SUS304	
4	FF1-CN521S00000020	1582403799\盛路小便器感应头 (电源防水接头)	1	Assembly	
3	FF1-CN521N00000240	158A918564\US感应龙头4"和8"面板螺钉 (A91856	2	SUS304	
2	FF1-CN521Z00000055	1580744499\EL入墙式感应小便阀茶色板	1	ABS	
1	FF1-CN521F00000057	1580744399\EL入墙式感应小便阀面板	1	ABS	
序号	料号	名称	数量	材料	备注

DESIGNED	TITLE	
CHECKED	REF	
APPROVED	盛路入墙感应小便冲洗阀	
SCALE	MATERIAL	DWG NO.
1:2		FFAS8614-005500BC0

*American Standard*

REV	DESCRIPTION	DATE	NAME