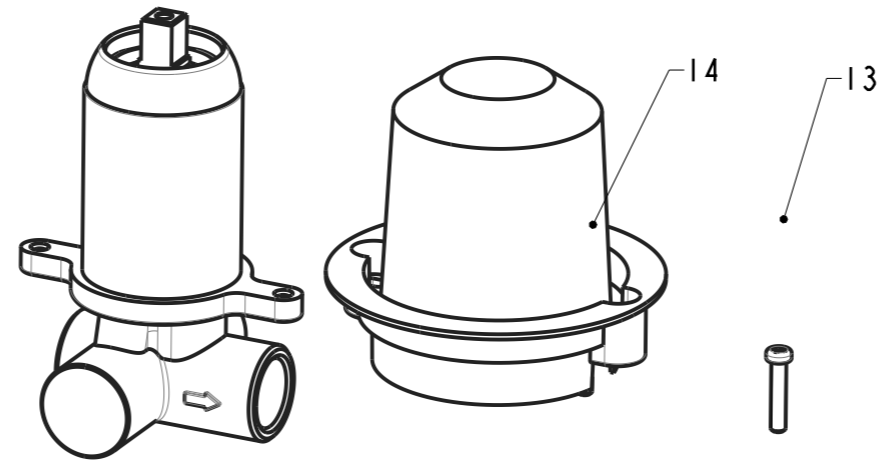
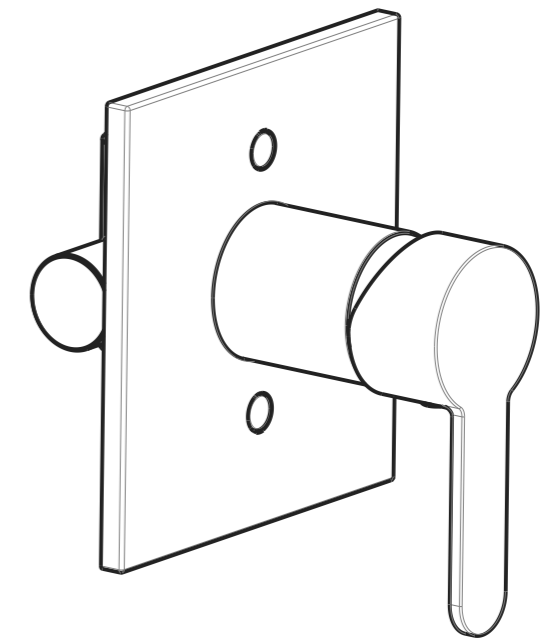
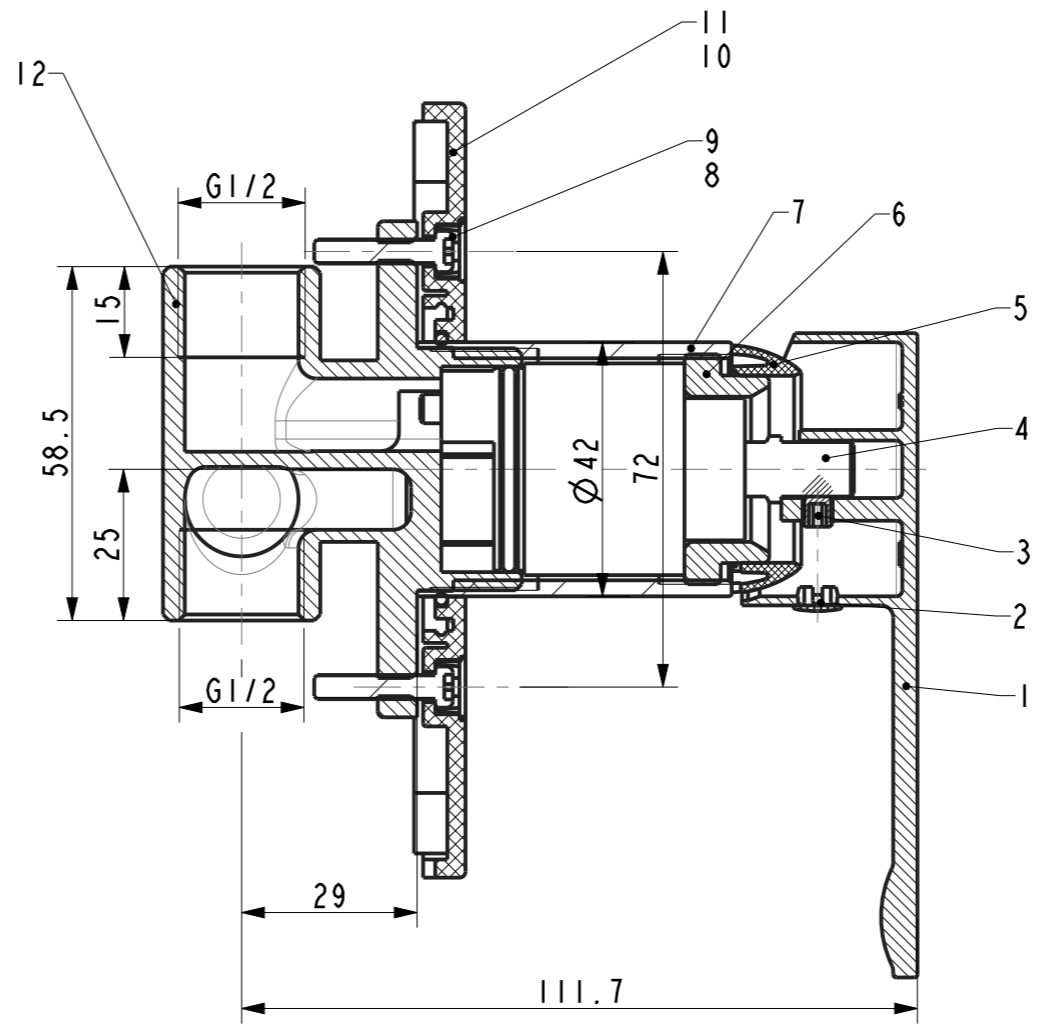
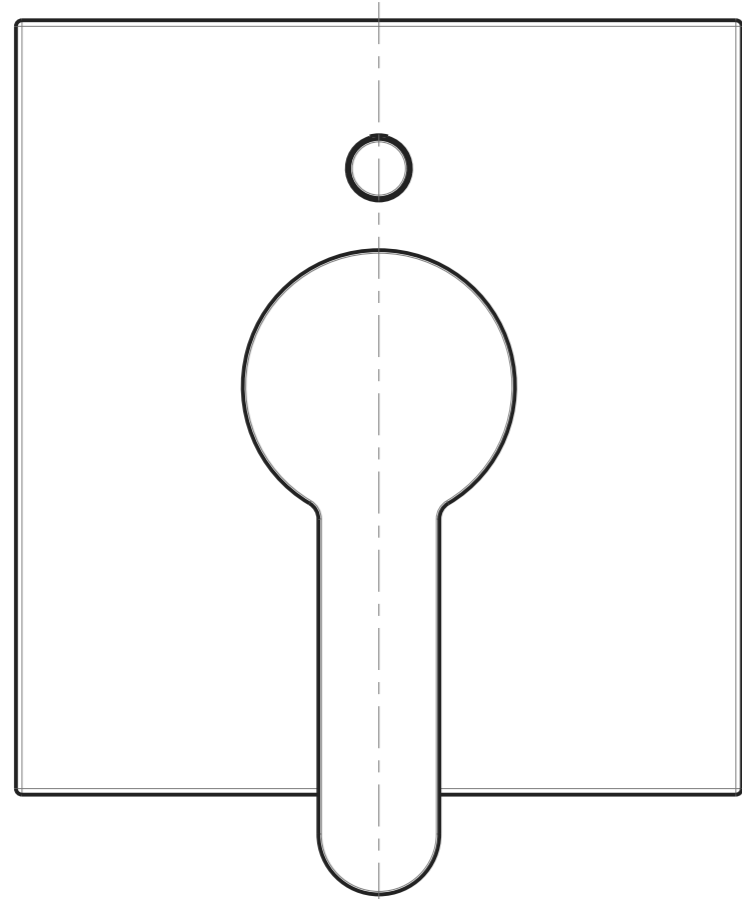


Tolerance, Unless Otherwise Stated, Is			
Above 0.5 to and including 6	6		±0.1
Excess 6 to and including 30	30		±0.2
Excess 30 to and including 120	120		±0.3
Excess 120 to and including 315	315		±0.5
Excess 315 to and including 1000	1000		±0.8
Excess 1000 to and including 2000	2000		±1.2



No.	Part No.	Part Name	QTY	Material	Remark
14	FF1-CN521Z00000218	Protect Cover	1	PP	
13	FF1-CN521N00000194	Protect Cover Screw M4	2	SUS304	
12	FFZZ2916-7T950ZDMC	Body	1	DR Brass	
11	FF1-CN521F00000261	Escutcheon	1	ABS	
10	FF1-CN521K00000901	Spongy Washer	1	Spongy	
9	FF1-CN521N00000268	Screw (M4X20)	2	SUS304	
8	FF1-CN521F00000244	Screw Cover	2	ABS	
7	FF1-CN521J00000314	Bushing	1	HPb59-1	
6	FF1-CN521N00000068	Cartridge Nut	1	SUS304	
5	FF1-CN521F00000054	Cartridge Cover	1	ABS	
4	FF1-CN521C00001399	Cartridge 35mm	1	Component	
3	FF1-CN521N00000228	Screw M5	1	SUS304	
2	FF1-CN521Z00004950	Handle Cover	1	ABS	
1	FF1-CN521L00000072	Handle	1	ZZnAl4-1	

DESIGNED	TITLE
CHECKED	REF
APPROVED	Seva Concealed Shower Mono
SCALE	DWG NO.
MATERIAL	FFAS6536-709500BF0
WEIGHT	

REV	DESCRIPTION	DATE	NAME

American Standard