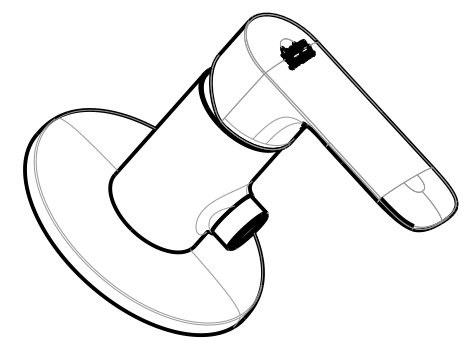
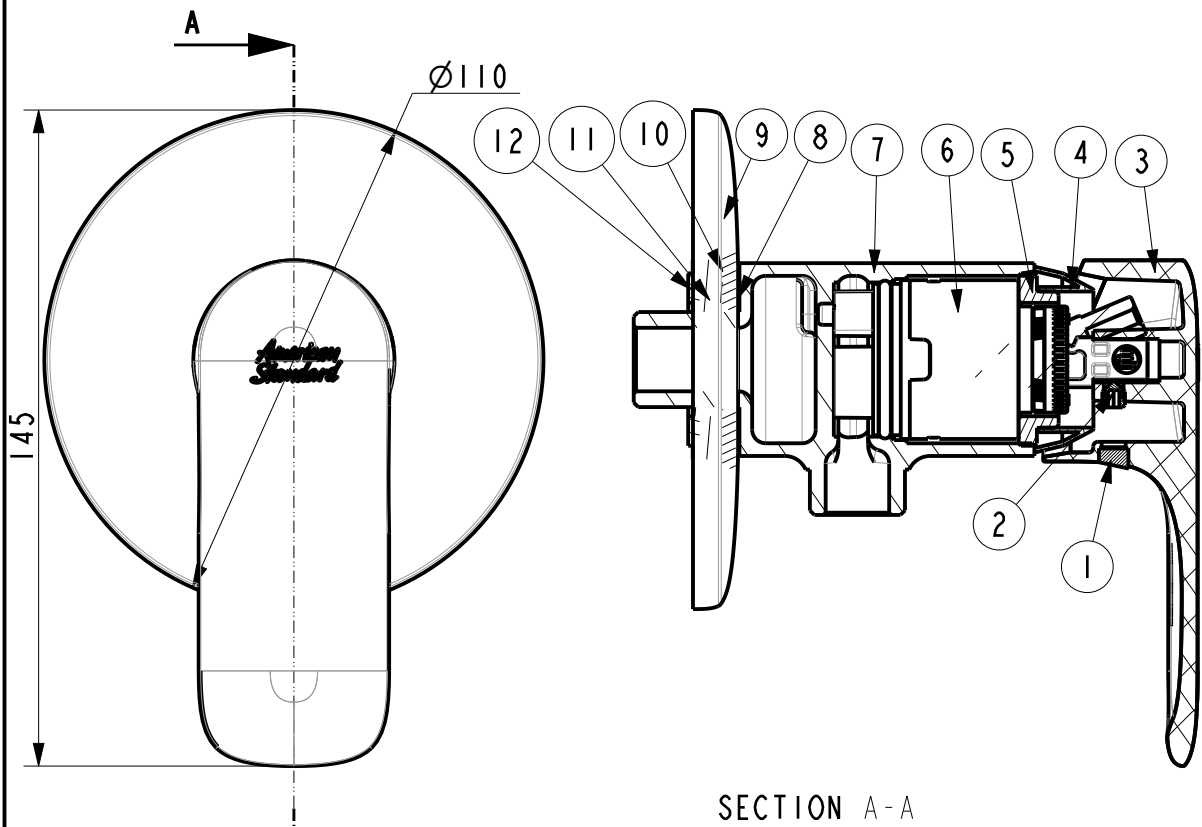


Tolerance, Unless Otherwise Stated. Is			
Above	0.5 to and including	6	±0.1
Excess	6 to and including	30	±0.2
Excess	30 to and including	120	±0.3
Excess	120 to and including	315	±0.5
Excess	315 to and including	1000	±0.8
Excess	1000 to and including	2000	±1.2



12	FF1-CN521G00000033	1581174499\平垫片038*025*2.5	1	NBR	
11	FF1-CN521G00000202	1581387299\垫片(PA66)	1	PA66	
10	G-01335031	密封圈022X048X3	1	EPDM	
9	G-417226038	淋浴龙头孔罩	1	SUS304	
8	FF1-CN521G00000203	1581387399\垫片(透明)	1	PVC	
7	G-417552038	挂墙淋浴龙头本体	1	GkMs60Fk	镀铬
6	FF1-CN521C00001399	C35G-1高脚阀芯(N35HSW)	1	组件	
5	FF1-CN521N00000091	1580664199\迈阿密入墙式浴缸水嘴锁紧螺母	1	Hpd59-1	
4	FF1-CN521F0004050P	阿卡西亚单孔顶盖(改进型)	1	ABS	镀铬
3	G-417215040	入墙单冷淋浴龙头把手	1	Zamak	镀铬
2	FF1-CN521N00000228	希丽亚台面浴缸内六方把手螺钉M5*6	1	SUS304	
1	G-09303031	φ6,5橡胶把手孔塞-灰色	1	NBR	
序号	零件编号	零件名称	数量	材料	备注

- 技术要求：
1. 阀芯锁紧扭矩为8~10N.m, 其余扭矩参考<W109.1520组装扭矩使用规范>;
 2. 涂胶水参照<W109.0519组装常用胶水操作规范>;
 3. 产品组装后符合<W110.0507最终检验标准--水嘴(泰国)>.

DESIGNED	韦振明	2022.10.19	TITLE	
CHECKED			REF	
APPROVED			单柄双控挂墙单冷淋浴水嘴	
SCALE	MATERIAL	WEIGHT	DWG NO.	American Standard
3:5			FFASIM26-709500BF0	

REV	DESCRIPTION	DATE	NAME