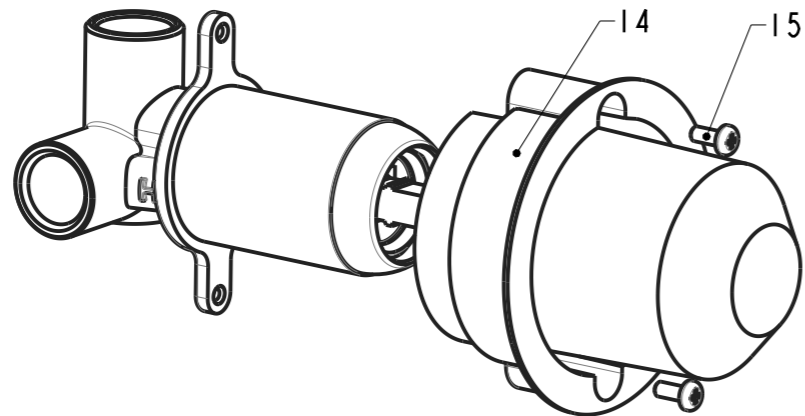
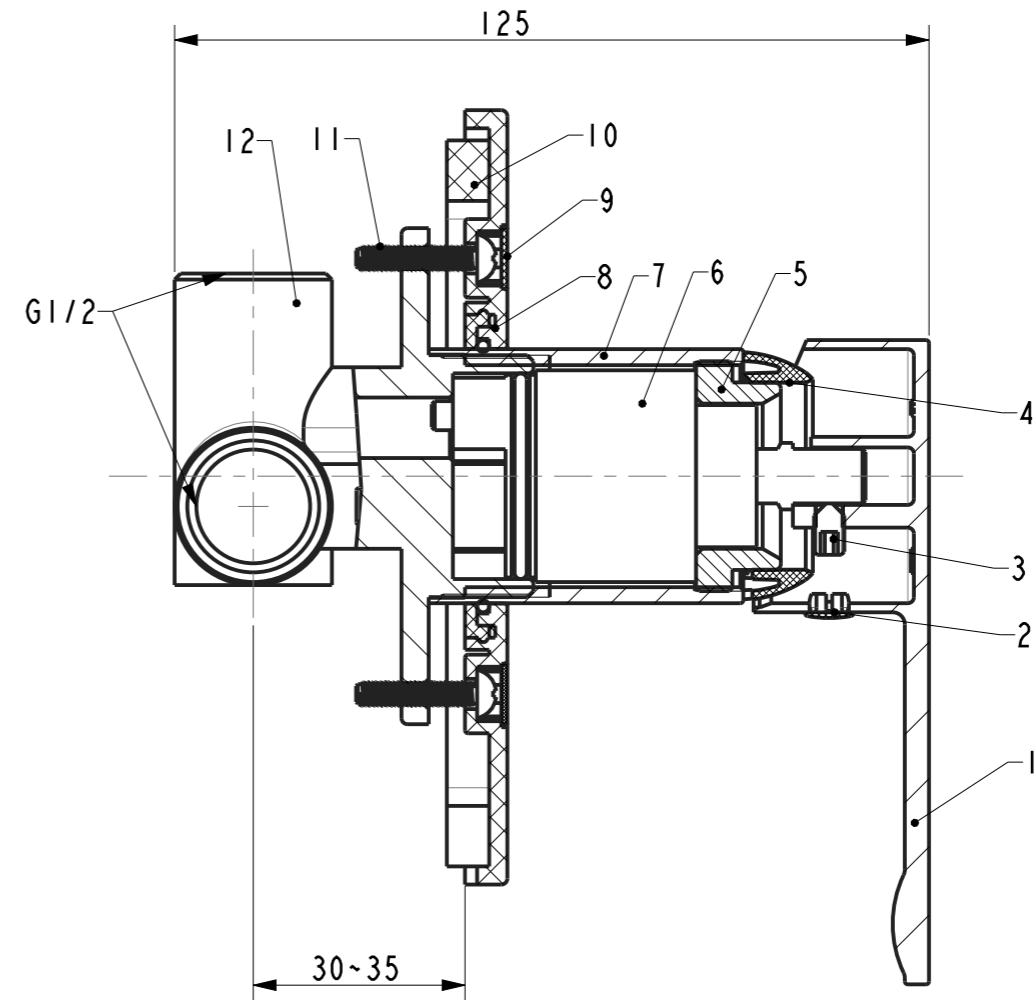
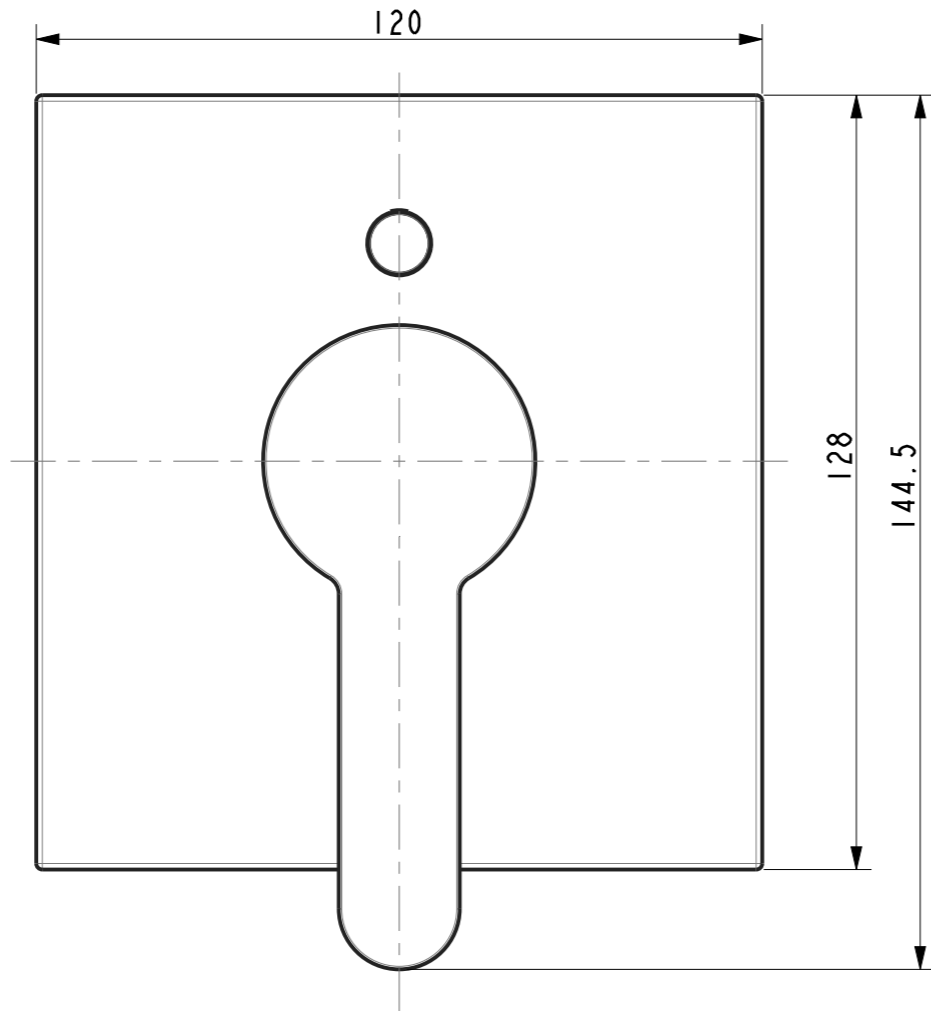


Tolerance, Unless Otherwise Stated, Is				
Above	0.5 to and including	6	±0.1	
Excess	6 to and including	30	±0.2	
Excess	30 to and including	120	±0.3	
Excess	120 to and including	315	±0.5	
Excess	315 to and including	1000	±0.8	
Excess	1000 to and including	2000	±1.2	



14	FF1-CN521N00000194	Protect Cover Screw M4	SUS304	2	
13	FF1-CN521Z00000218	Protect Cover	PP	1	
12	FF1-CN521B00000055	Body	DR Brass	1	
11	FF1-CN521N00000268	Screw (M4X20)	SUS304	2	
10	FF1-CN521K00000901	Washer 5.5*10*500mm	EVA	1	
9	FF1-CN521F00000244	Screw Cover	ABS	2	
8	FF1-CN521F00000261	Escutcheon	ABS	1	
7	FF1-CN521J00000314	Bushing	HPb59-1	1	
6	FF1-CN521C00001399	Cartridge 35mm	Component	1	
5	FF1-CN521N00000068	Cartridge Nut	SUS304	1	
4	FF1-CN521F00000054	Cartridge Cover	ABS	1	
3	FF1-CN521N00000899	Handle Screw	SUS304	1	
2	FF1-CN521Z00000072	Handle Cover	ABS	1	
1	FF1-CN521L00000072	Handle	ZZnAl4-1	1	
No.	Code	Description	Material	Qty	Remark

DESIGNED			TITLE		
CHECKED			REF		
APPROVED			Seva Concealed Shower Mixer		
SCALE	MATERIAL	WEIGHT	DWG NO.		
4:5	Assembly		FFAS6522-709500BF0		

REV	DESCRIPTION	DATE	NAME

American Standard