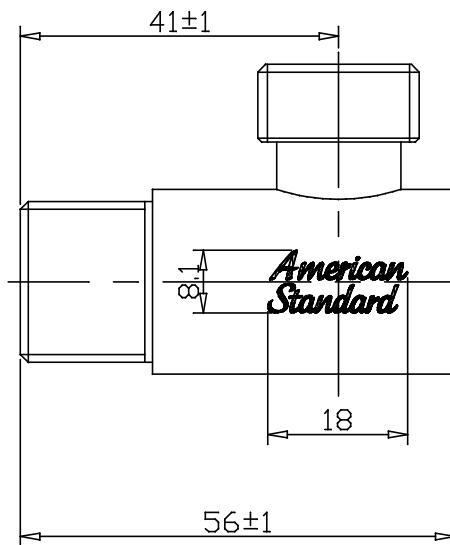
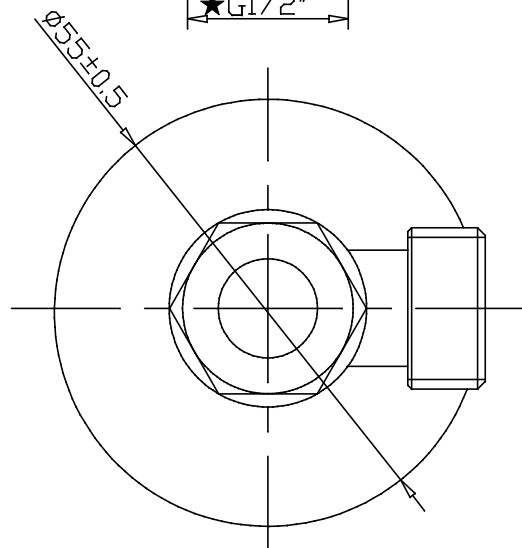
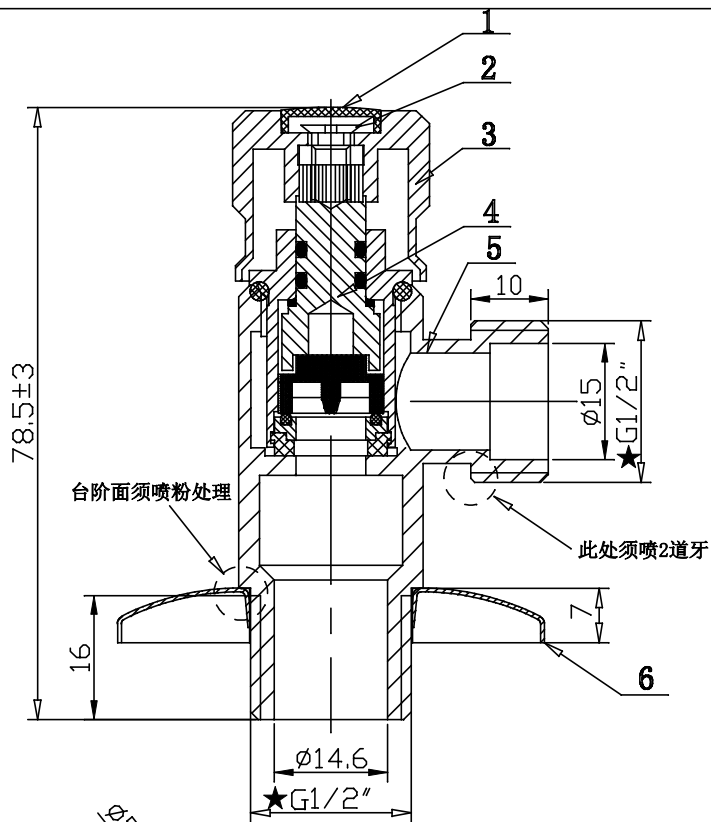


Tolerance, Unless Otherwise Stated, Is			
Above 0.5 to and including 6	6		±0.1
Excess 6 to and including 30	30		±0.2
Excess 30 to and including 120	120		±0.3
Excess 120 to and including 315	315		±0.5
Excess 315 to and including 1000	1000		±0.8
Excess 1000 to and including 2000	2000		±1.2



技术要求:

- 角阀外观: 电镀镍后喷粉处理(哑光黑MatteBlack), 过水通道不能喷上漆;
- 零件表面处理符合《WI10.0589_内部检验标准-装饰性喷漆表面》;
- 螺纹连接处要求“通规通、止规止”;
- logo颜色为Pantone 5C;
- 尺寸参考F64401-CHADY角阀;
- 产品应符合GB/T 26712-2011标准要求;
- 带“★”为重点尺寸。

6	1024362430-6	装饰罩	S304	1	哑黑
5	1024362430-5	90°角阀本体	Hpb59-1	1	哑黑
4	1024362430-4	916阀芯	Assembly	1	
3	1024362430-3	阀帽	Hpb59-1	1	哑黑
2	1024362430-2	钢十字螺钉	S304	1	哑黑
1	1024362430-1	料盖	ABS	1	哑黑
序号	料号	名称	材料	数量	

DESIGNED	李爽	2023.8.14	TITLE STOP VALVE CERAMIC 90 1/2" MB-APAC		
CHECKED			REF		
APPROVED			90°角阀_G1/2" (哑光黑) - 亚太		
SCALE	MATERIAL	WEIGHT	DWG NO.	1024362430 American Standard	
1:1					

REV	DESCRIPTION	DATE	NAME