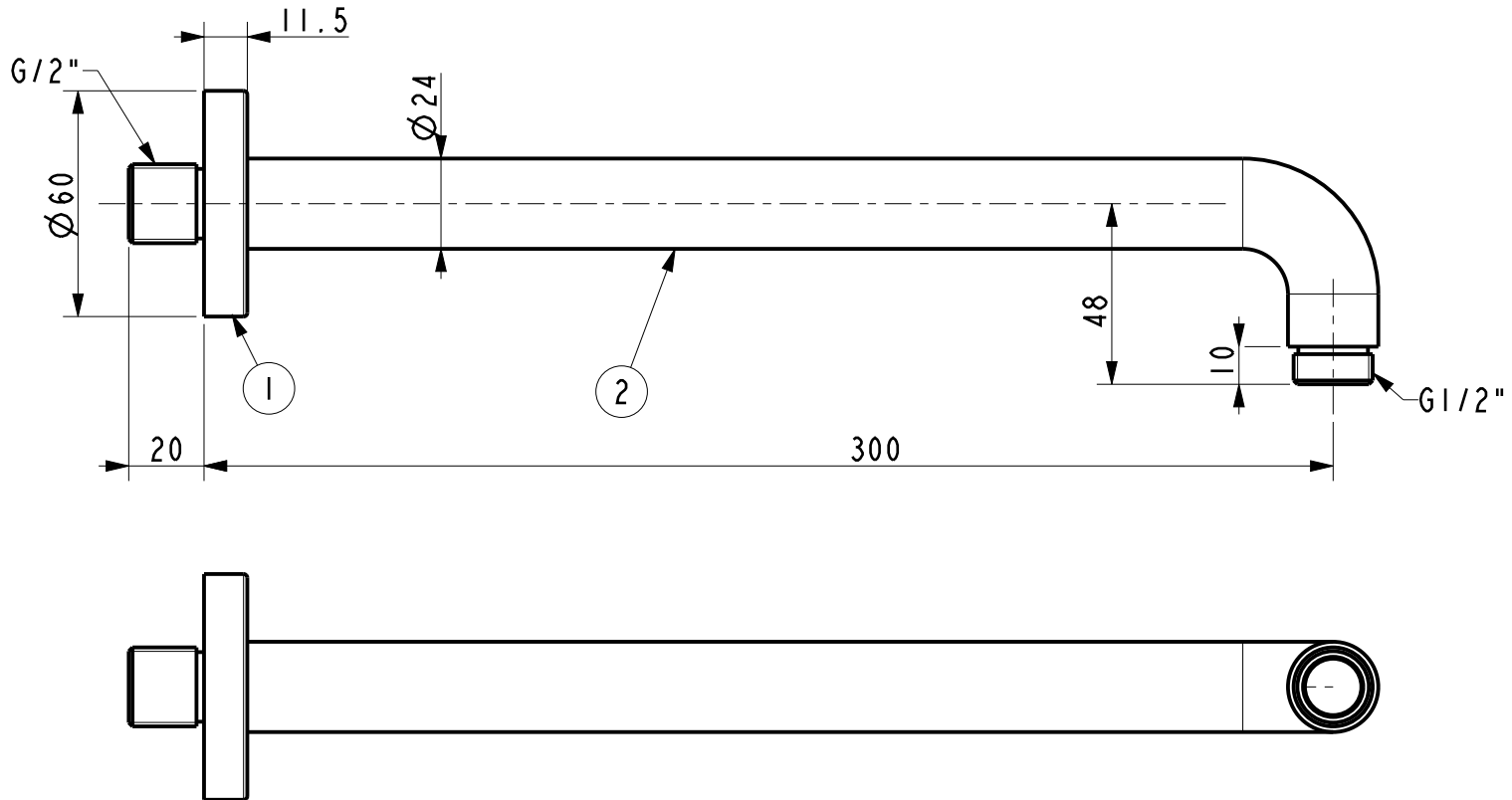


2023年1月13日

A/O

Tolerance, Unless Otherwise Stated. Is			
Above	0.5 to and including	6	±0.1
Excess	6 to and including	30	±0.2
Excess	30 to and including	120	±0.3
Excess	120 to and including	315	±0.5
Excess	315 to and including	1000	±0.8
Excess	1000 to and including	2000	±1.2



2	FF1-CN521JGL000272	欧泊入墙花洒壁管	Hpb59-1	1	
1	FF1-CN521FGL000121	欧泊入墙花洒壁管孔罩	H62	1	
NO.	Part No.	Description	Material	QTY	Remark

DESIGNED	利华沃	20221221	TITLE	
CHECKED	<i>[Signature]</i>	2022.12.21	REF	
APPROVED	<i>[Signature]</i>	2022.12.21	入墙式花洒臂管 (喜悦金)	
SCALE	MATERIAL	WEIGHT	DWG NO.	American Standard
1:2	组件		FFAS9909-000GLOBFO	

REV	DESCRIPTION	DATE	NAME