

FFAS1704-101A00BTO

## Signature

### S-T Wall Mounted Basin Mixer With\_\_HG

#### STYLE SEGMENT

- Modern

#### KEY SPECIFICATIONS

- Product Description: Signature\_Wall Mounted Basin Mixer With drain\_\_HG
- Colour: Hard Graphite
- Faucet Type: Mixer
- No. of Faucet Holes Required: 1
- Flow Rate: 3.8
- Is Drain Included: Yes
- Connection Size (inches): R1/2

#### SHIPPING WEIGHT

- Net Weight: 3.06
- Gross Weight: 3.26

#### KEY TECHNOLOGIES AND FEATURES

##### HYGIENE

- Complies with American Standard Quality Standards

##### COMFORT

- Comfort Angle
- ComfortMove

##### CONVENIENCE

- Complies with American Standard Quality Standards

##### DURABILITY

- Durashine

##### SUSTAINABILITY

- Complies with American Standard Quality Standards

##### SAFETY

- Complies with American Standard Quality Standards

##### OTHERS

- NIL

#### STANDARDS AND CERTIFICATIONS

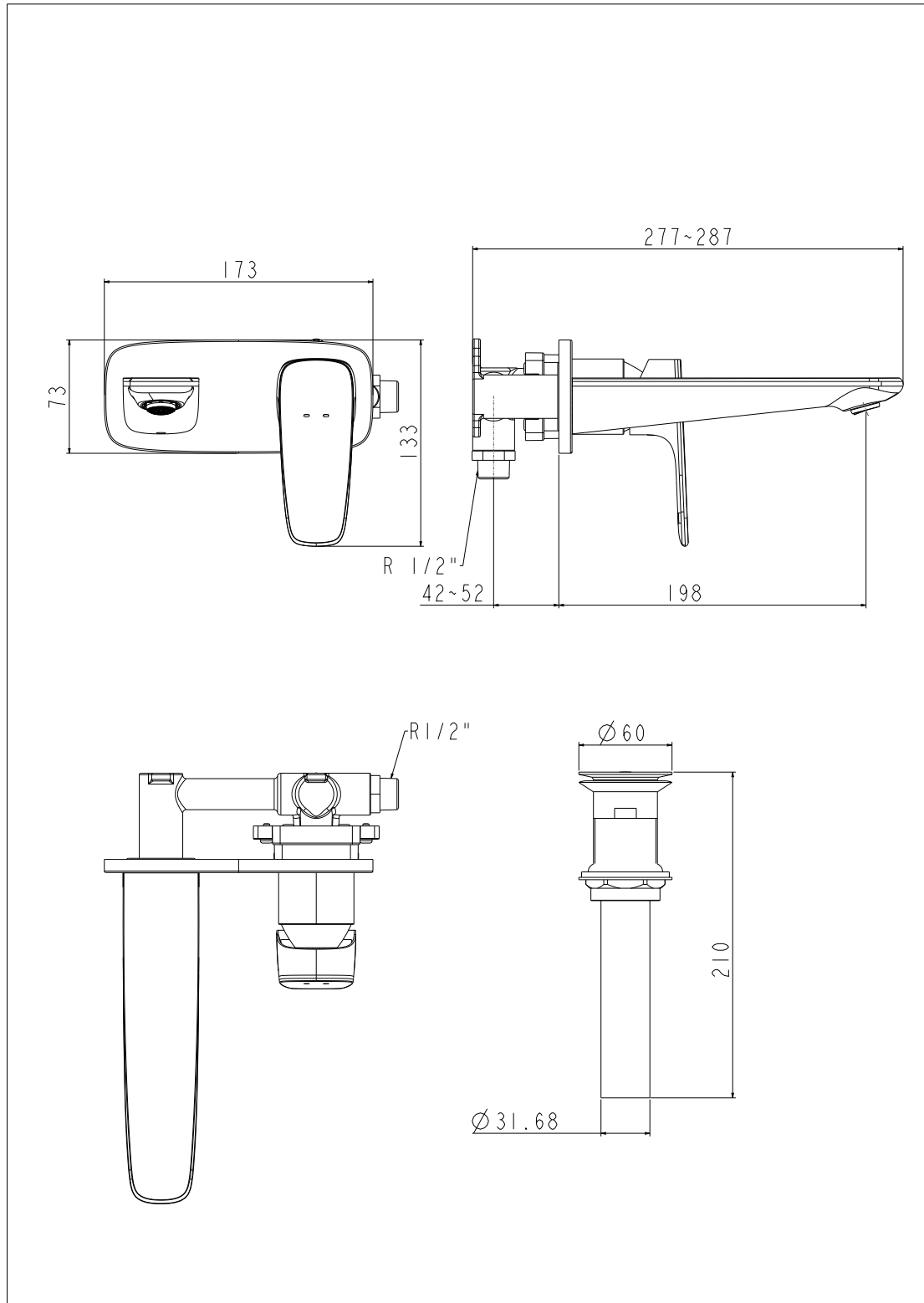
- TIS 2067-2552



FFAS1704-101A00BTO

Signature

S-T Wall Mounted Basin Mixer With\_\_HG



FFAS1704-101A00BTO

## Signature

## S-T Wall Mounted Basin Mixer With\_\_HG

<b>Product</b>	Description	Signature_Wall Mounted Basin Mixer With drain__HG
	Weight (kg)	3.06
	Finish	PVD
	Flow Rate	3.8
	Mounting Location	Wall Mount
<b>Material &amp; Color</b>	Material	Brass
	Color	Hard Graphite
<b>Faucet</b>	Type	Mixer
	No. of Holes Required	1
<b>Connection</b>	Size (mm)	R1/2
	Size (inches)	R1/2
<b>Handle</b>	Material	Zinc Die Cast
	Type	Lever
	No. of Handles	1
<b>Components</b>	Drain Included	Yes
	Included	N/A
	Excluded	N/A
<b>Spout</b>	Hose Thread in Spout	No
	Dimensions (mm)	198
	Type	Ceramic
<b>Valve</b>	Type	Standard