

FFAS1702-101A00BT0

Signature

S-TSingle Hole Extended Basin M__HG

STYLE SEGMENT

- Modern

KEY SPECIFICATIONS

- Product Description: Signature Single Hole Extended Basin Mixer With drain__HG
- Colour: Hard Graphite
- Faucet Type: Mixer
- No. of Faucet Holes Required: 1
- Flow Rate: 4
- Is Drain Included: Yes
- Connection Size (inches): G1/2

SHIPPING WEIGHT

- Net Weight: 2.34
- Gross Weight: 2.66

KEY TECHNOLOGIES AND FEATURES

HYGIENE

- Complies with American Standard Quality Standards

COMFORT

- Comfort Angle
- ComfortMove

CONVENIENCE

- Complies with American Standard Quality Standards

DURABILITY

- Durashine

SUSTAINABILITY

- Complies with American Standard Quality Standards

SAFETY

- Complies with American Standard Quality Standards

OTHERS

- NIL

STANDARDS AND CERTIFICATIONS

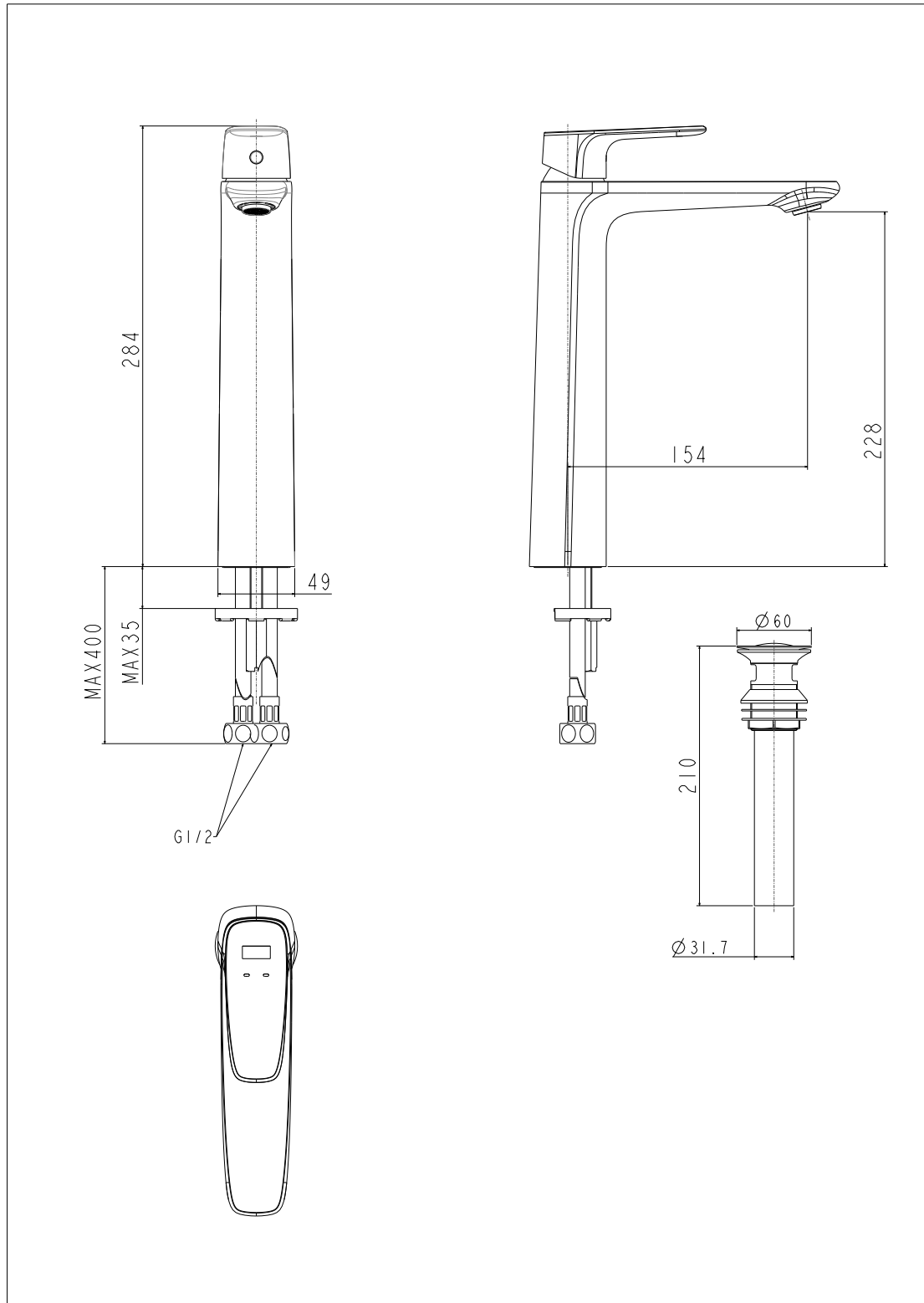
- TIS 2067-2552



FFAS1702-101A00BT0

Signature

S-TSingle Hole Extended Basin M_HG



FFAS1702-101A00BT0

Signature

S-TSingle Hole Extended Basin M__HG

| | | |
|-----------------------------|-----------------------|---|
| Product | Description | Signature Single Hole Extended Basin Mixer With drain__HG |
| | Weight (kg) | 2.34 |
| | Finish | PVD |
| | Flow Rate | 4 |
| | Mounting Location | Deck Mount |
| Material & Color | Material | Brass |
| | Color | Hard Graphite |
| Faucet | Type | Mixer |
| | No. of Holes Required | 1 |
| Connection | Size (mm) | G1/2 |
| | Size (inches) | G1/2 |
| Handle | Material | Zinc Die Cast |
| | Type | Lever |
| | No. of Handles | 1 |
| Components | Drain Included | Yes |
| | Included | N/A |
| | Excluded | N/A |
| Spout | Hose Thread in Spout | No |
| | Dimensions (mm) | 154,228 |
| | Type | Ceramic |
| Valve | Type | Standard |