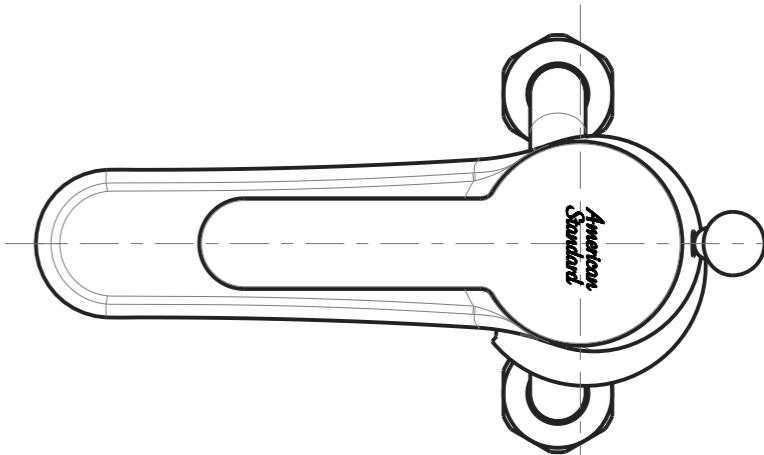
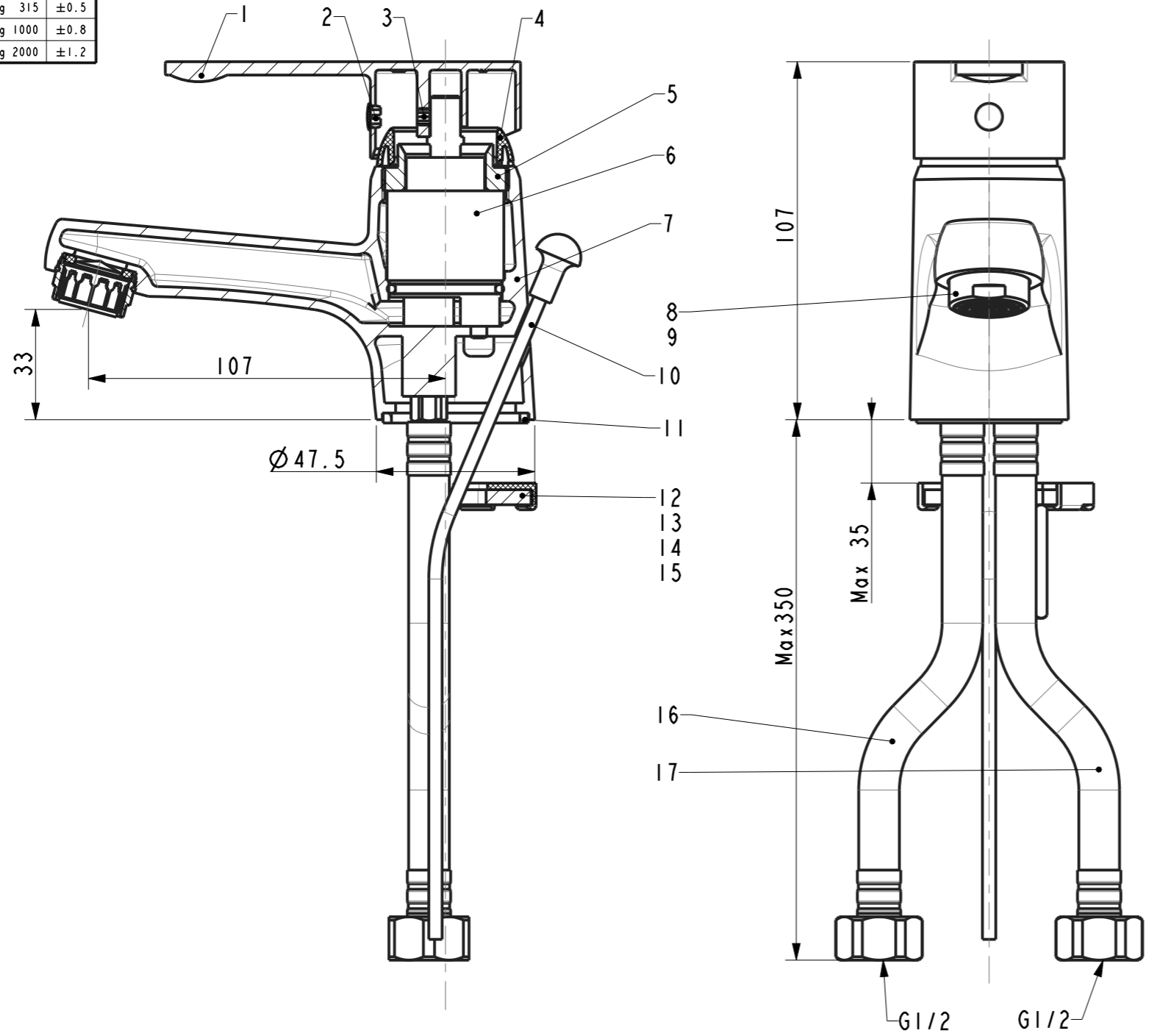


Tolerance, Unless Otherwise Stated, Is				
Above	0.5 to and including	6	±0.1	
Excess	6 to and including	30	±0.2	
Excess	30 to and including	120	±0.3	
Excess	120 to and including	315	±0.5	
Excess	315 to and including	1000	±0.8	
Excess	1000 to and including	2000	±1.2	



17	FF1-CN521T00000017	Flexible hose-450mm (Red)	1	Part	
16	FF1-CN521T00000018	Flexible hose-450mm (blue)	1	Part	
15	FF1-CN521Z000000438	Bolt M8	1	HPb59-1	
14	FF1-CN521G000000238	Gasket	1	NBR 70	
13	FF1-CN521J000000432	Iron Plate	1	Q235	
12	FF1-CN521N000000073	Fixation Nut	1	HPb59-1	
11	FF1-CN521G000000067	Washer	1	NBR 70	
10	FF1-CN521X000000328	Lift Rod	1	Part	
9	FF1-CN521G000000023	Washer 20.9*14.5*3	1	NBR 70	
8	FF1-CN521A0001450B	Aerator	1	Part	
7	FFZZ6501-11150BDPL	Body	1	GkMs60Fk	
6	FF1-CN521C000001399	Cartridge 35mm	1	Part	
5	FF1-CN521N000000068	Cartridge Nut	1	SUS304	
4	FF1-CN521F000000054	Cartridge Cover	1	ABS	
3	FF1-CN521N000000228	Screw M5	1	SUS 304	
2	FF1-CN521Z000000072	Handle Cover	1	ABS	
1	FF1-CN521L000000072	Handle	1	ZZnAl4-1	
NO.	PART Code	PART NAME	QTY	MATERIAL	Remark

DESIGNED			TITLE		
CHECKED			REF		
APPROVED			Seva SH Basin Mixer w/o Pop-up Drain		
SCALE	MATERIAL	WEIGHT	DWG NO.	American Standard	
3:5	Assembly		FFAS6501-102500BF0		

REV	DESCRIPTION	DATE	NAME