

FFAS1712-709A00BT0

Signature

Signature Exposed Shower Mixer-C_HG

STYLE SEGMENT

- Modern

KEY SPECIFICATIONS

- Product Description: Signature Exposed Shower Mixer_HG
- Bathroom Faucet Type: Exposed Shower
- Colour: Hard Graphite
- Hand Shower Included: No
- Flow Rate: Shower,16

SHIPPING WEIGHT

- Net Weight: Contact us for more information
- Gross Weight: Contact us for more information

KEY TECHNOLOGIES AND FEATURES

HYGIENE

- Complies with American Standard Quality Standards

COMFORT

- Complies with American Standard Quality Standards

CONVENIENCE

- Complies with American Standard Quality Standards

DURABILITY

- Complies with American Standard Quality Standards

SUSTAINABILITY

- Complies with American Standard Quality Standards

SAFETY

- Complies with American Standard Quality Standards

OTHERS

- NIL

STANDARDS AND CERTIFICATIONS

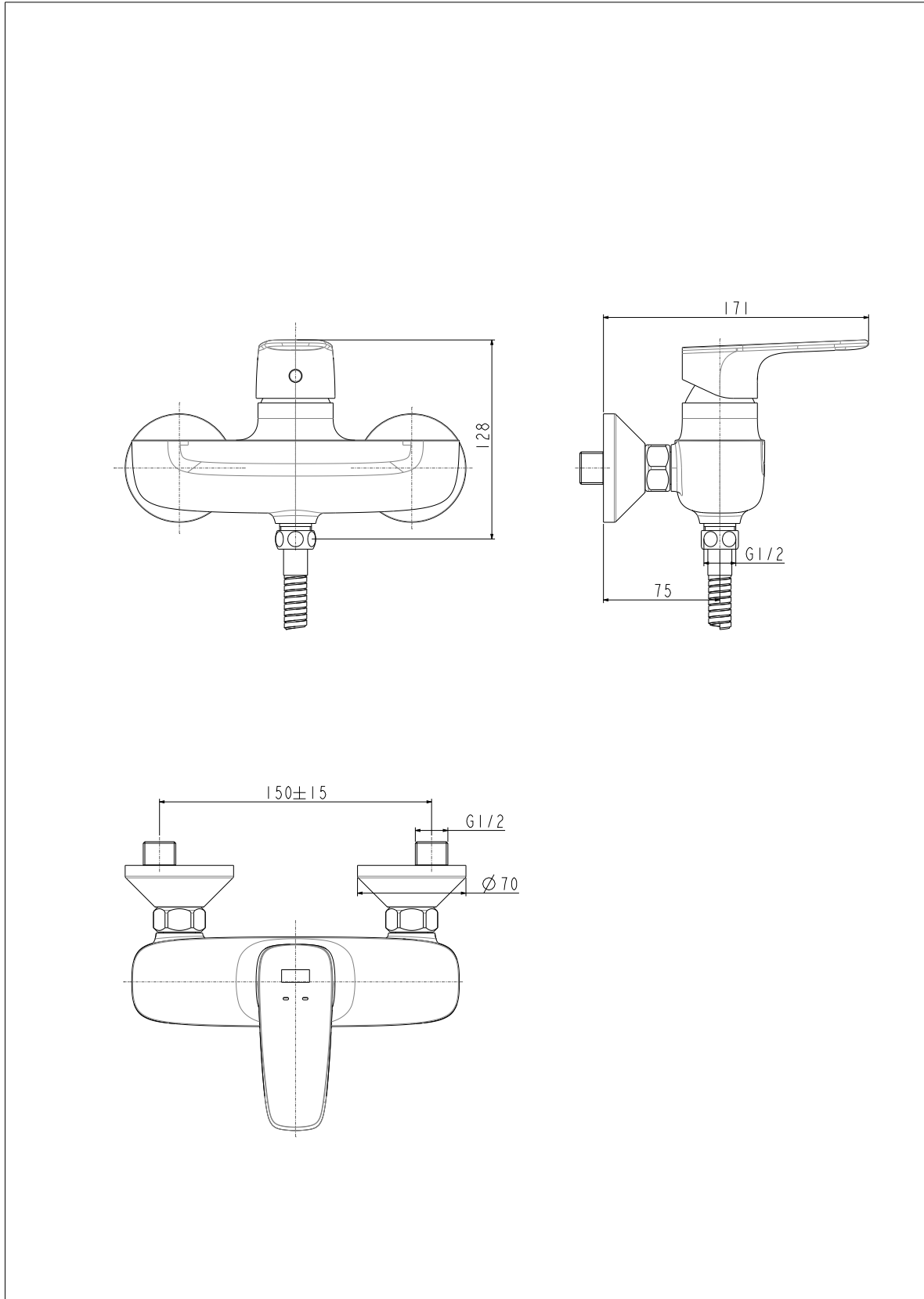
- GB 18145-2014



FFAS1712-709A00BT0

Signature

Signature Exposed Shower Mixer-C_HG



FFAS1712-709A00BT0

Signature

Signature Exposed Shower Mixer-C_HG

Product	Description	Signature Exposed Shower Mixer_HG
	Weight (kg)	2.13
	Dimensions (mm)	129x220x171
	Finish	PVD
	Flow Rate	Shower,16
	Mounting Location	Wall Mount
Material & Color	Material	Brass
	Color	Hard Graphite
Bathroom Faucet	Type	Exposed Shower
Faucet	Type	Mixer
Connection	Size (mm)	G1/2
	Size (inches)	G1/2
Handle	Material	Zinc Die Cast
	Type	Lever
	No. of Handles	1

FFAS1712-709A00BT0

Signature

Signature Exposed Shower Mixer-C_HG

Components	Hand Shower Included	No
	Included	N/A
	Excluded	N/A
Installation	Number of Holes Required	2
Valve	Type	Ceramic