

Signature

Signature 550mm countertop basin

Wash Basin

STYLE SEGMENT

- Modern

KEY SPECIFICATIONS

- Installation Type: Countertop
- Product Dimensions: W550*P430*H125 mm
- Material: Vitreous China
- Color: White Heat II
- Overflow Hole: With
- Faucet Ledge: Yes
- Included Components: Semi Fixing kit need to put in package



SHIPPING WEIGHT

- Net Weight: 14 kg
- Gross Weight: 15 kg

KEY TECHNOLOGIES AND FEATURES

HYGIENE

- Complies with American Standard Quality Standards

COMFORT

- Complies with American Standard Quality Standards

CONVENIENCE

- Complies with American Standard Quality Standards

DURABILITY

- Complies with American Standard Quality Standards

SUSTAINABILITY

- Complies with American Standard Quality Standards

SAFETY

- Complies with American Standard Quality Standards

OTHERS

- NIL

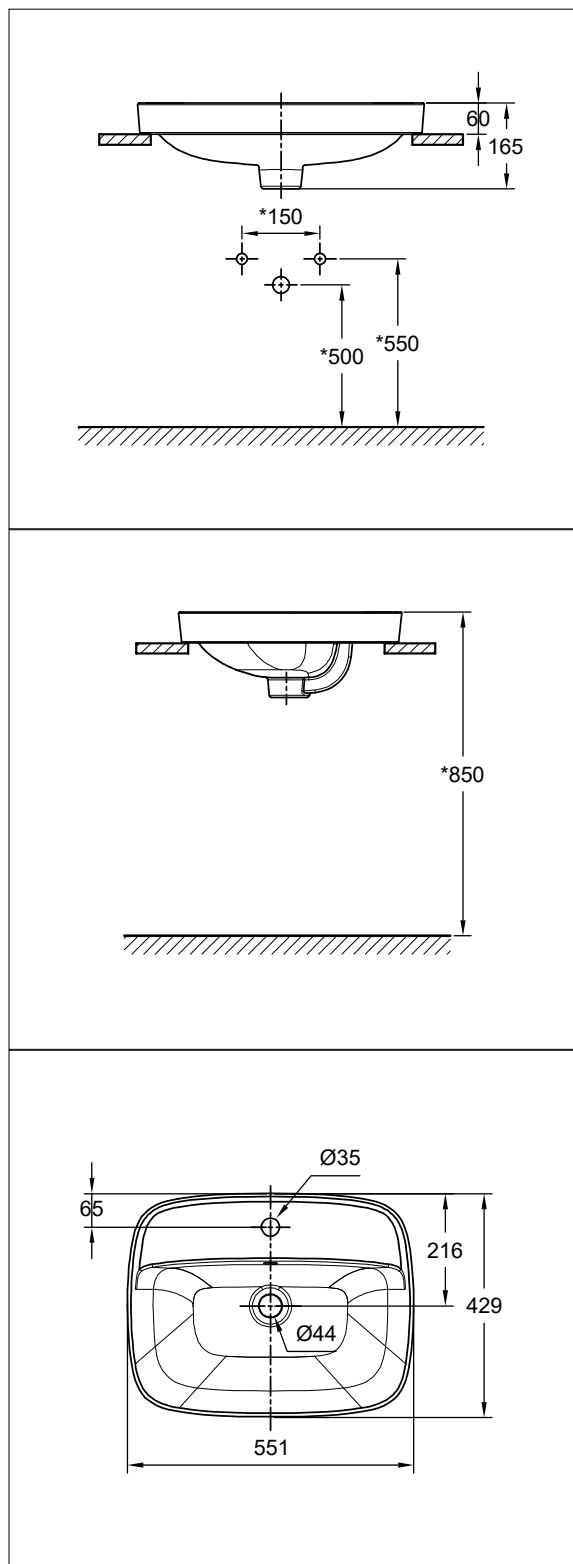
STANDARDS AND CERTIFICATIONS

- GB/T 6952-2015

Signature

Signature 550mm countertop
basin

Wash Basin



Signature

Signature 550mm countertop
basin

Wash Basin

Item	Description	Signature 550mm countertop basin
Installation	Type	Countertop
Dimensions	Product (mm)	W550*P430*H125 mm
Material & Color	Material	Vitreous China
	Color	White Heat II
Features	Overflow Hole	With
	Faucet Ledge	Yes
Components	Included	Semi Fixing kit need to put in package
Shipping	Net Weight (kg)	14 kg
	Gross Weight (kg)	15 kg
	Product Weight (kg)	14 kg
	Dimensions (mm)	585x460x205 mm