

FFAS1702-101GLOBT0

Signature

S-T Single Hole Extended Basin M_CS

STYLE SEGMENT

- Modern

KEY SPECIFICATIONS

- Product Description: Signature Single Hole Extended Basin Mixer With drain_CS
- Colour: Cool Sunrise
- Faucet Type: Mixer
- No. of Faucet Holes Required: 1
- Flow Rate: 4
- Is Drain Included: Yes
- Connection Size (inches): G1/2

SHIPPING WEIGHT

- Net Weight: 2.34
- Gross Weight: 2.66

KEY TECHNOLOGIES AND FEATURES

HYGIENE

- Complies with American Standard Quality Standards

COMFORT

- Comfort Angle
- ComfortMove

CONVENIENCE

- Complies with American Standard Quality Standards

DURABILITY

- Durashine

SUSTAINABILITY

- Complies with American Standard Quality Standards

SAFETY

- Complies with American Standard Quality Standards

OTHERS

- NIL

STANDARDS AND CERTIFICATIONS

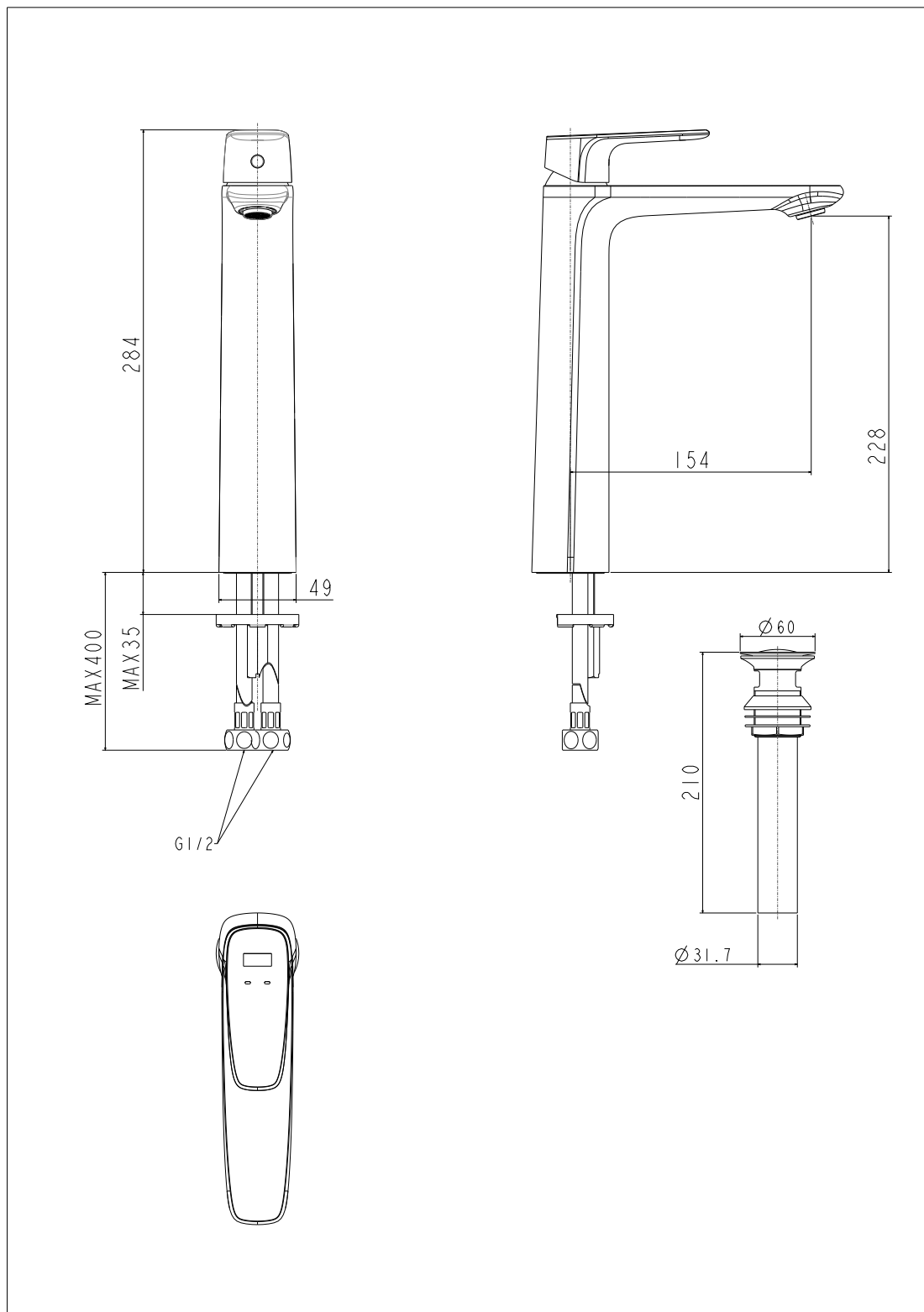
- TIS 2067-2552



FFAS1702-101GLOBT0

Signature

S-T Single Hole Extended Basin M_CS



FFAS1702-101GLOBT0

Signature

S-T Single Hole Extended Basin M_CS

Product	Description	Signature Single Hole Extended Basin Mixer With drain_CS
	Weight (kg)	2.34
	Finish	PVD
	Flow Rate	4
	Mounting Location	Deck Mount
Material & Color	Material	Brass
	Color	Cool Sunrise
Faucet	Type	Mixer
	No. of Holes Required	1
Connection	Size (mm)	G1/2
	Size (inches)	G1/2
Handle	Material	Zinc Die Cast
	Type	Lever
	No. of Handles	1
Components	Drain Included	Yes
	Included	N/A
	Excluded	N/A
Spout	Hose Thread in Spout	No
	Dimensions (mm)	154,228
	Type	Ceramic
Valve	Type	Standard