

# Signature

## Signature 550mm counter top basin

Wash Basin

### STYLE SEGMENT

- Modern

### KEY SPECIFICATIONS

- Installation Type: Countertop
- Product Dimensions: W550\*P430\*H125 mm
- Material: Vitreous China
- Color: White Heat II
- Overflow Hole: With
- Faucet Ledge: Yes
- Included Components: Semi Fixing kit need to put in package



### SHIPPING WEIGHT

- Net Weight: 14 kg
- Gross Weight: 15 kg

### KEY TECHNOLOGIES AND FEATURES

#### HYGIENE

- Complies with American Standard Quality Standards

#### COMFORT

- Complies with American Standard Quality Standards

#### CONVENIENCE

- Complies with American Standard Quality Standards

#### DURABILITY

- Complies with American Standard Quality Standards

#### SUSTAINABILITY

- Complies with American Standard Quality Standards

#### SAFETY

- Complies with American Standard Quality Standards

#### OTHERS

- NIL

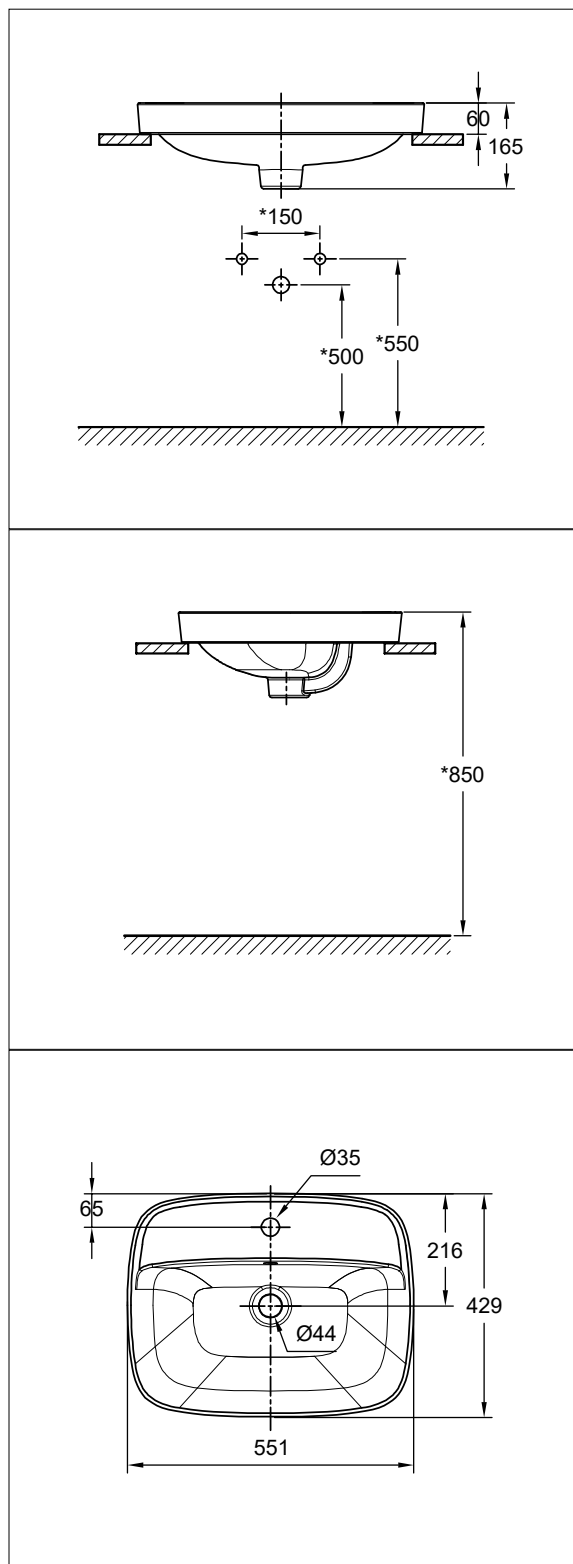
### STANDARDS AND CERTIFICATIONS

- GB/T 6952-2015

Signature

Signature 550mm counter top  
basin

Wash Basin



## Signature

Signature 550mm counter top  
basin

## Wash Basin

|                  |                     |  |
|------------------|---------------------|--|
| Item             | Description         | Signature 550mm counter top basin      |
| Installation     | Type                | Countertop                             |
| Dimensions       | Product (mm)        | W550*P430*H125 mm                      |
| Material & Color | Material            | Vitreous China                         |
|                  | Color               | White Heat II                          |
| Features         | Overflow Hole       | With                                   |
|                  | Faucet Ledge        | Yes                                    |
| Components       | Included            | Semi Fixing kit need to put in package |
| Shipping         | Net Weight (kg)     | 14 kg                                  |
|                  | Gross Weight (kg)   | 15 kg                                  |
|                  | Product Weight (kg) | 14 kg                                  |
|                  | Dimensions (mm)     | 585x460x205 mm                         |