

CCAS0310-1010410F0

American Standard

Studio S

Studio S Counter Top Basin

570mm

Wash Basin

STYLE SEGMENT

- Contemporary

KEY SPECIFICATIONS

- Installation Type: Countertop
- Product Dimensions: 572*356*153 mm
- Material: Vitreous China
- Color: White Heat II
- Overflow Hole: With
- Faucet Ledge: No
- Included Components: NA



SHIPPING WEIGHT

- Net Weight: 8 kg
- Gross Weight: 10 kg

KEY TECHNOLOGIES AND FEATURES

HYGIENE

- Complies with American Standard Quality Standards

COMFORT

- Complies with American Standard Quality Standards

CONVENIENCE

- Complies with American Standard Quality Standards

DURABILITY

- Complies with American Standard Quality Standards

SUSTAINABILITY

- Complies with American Standard Quality Standards

SAFETY

- Complies with American Standard Quality Standards

OTHERS

- NIL

STANDARDS AND CERTIFICATIONS

- GB/T 6952-2015
- BS 1188 1974
- BS 3402 1969
- TIS 792-2011
- SS 378-1996
- MS 2578-2014

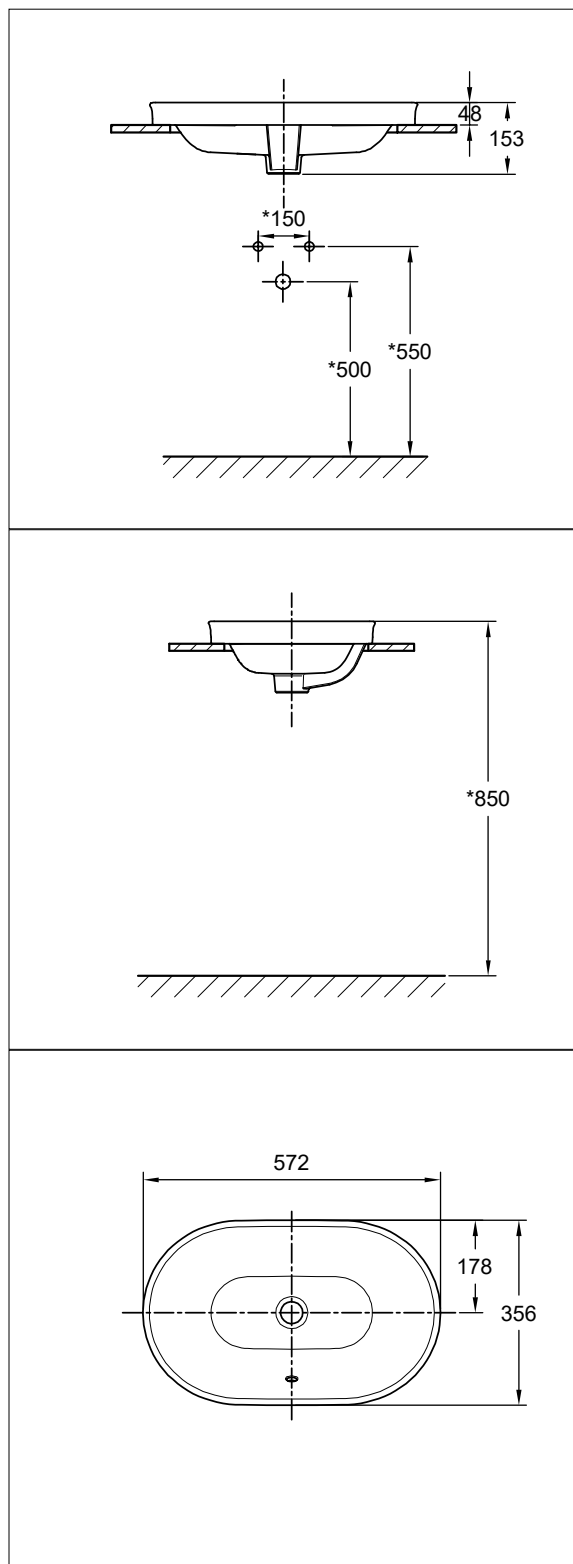


Studio S

Studio S Counter Top Basin

570mm

Wash Basin



Studio S

Studio S Counter Top Basin

570mm

Wash Basin

Item	Description	NA
Installation	Type	Countertop
Dimensions	Product (mm)	572*356*153 mm
Material & Color	Material	Vitreous China
	Color	White Heat II
Features	Overflow Hole	With
	Faucet Ledge	No
Components	Included	NA
Shipping	Net Weight (kg)	8 kg
	Gross Weight (kg)	10 kg
	Product Weight (kg)	8 kg
	Dimensions (mm)	612.8*387.3*190.5 mm