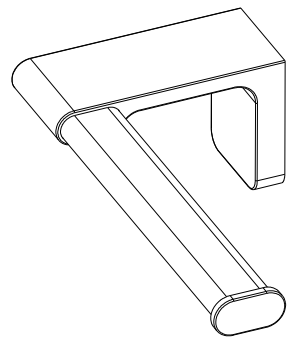
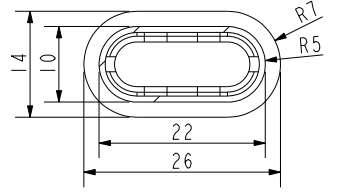
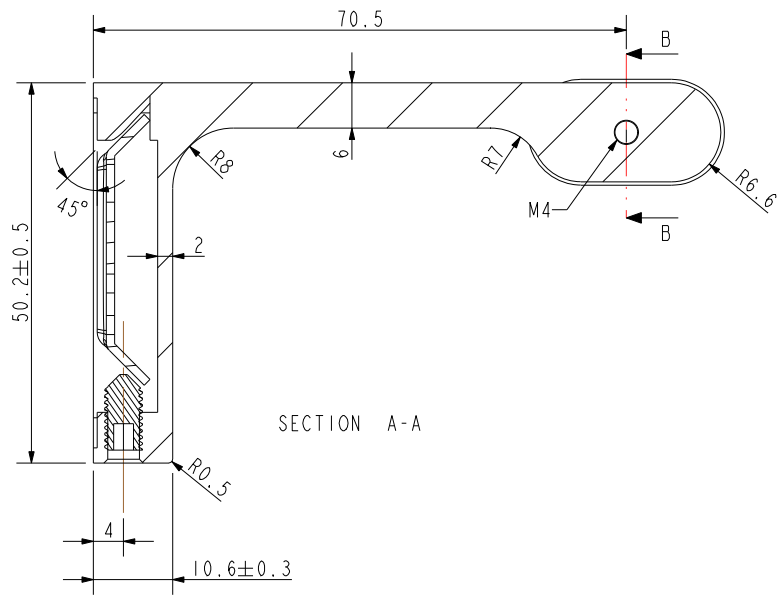
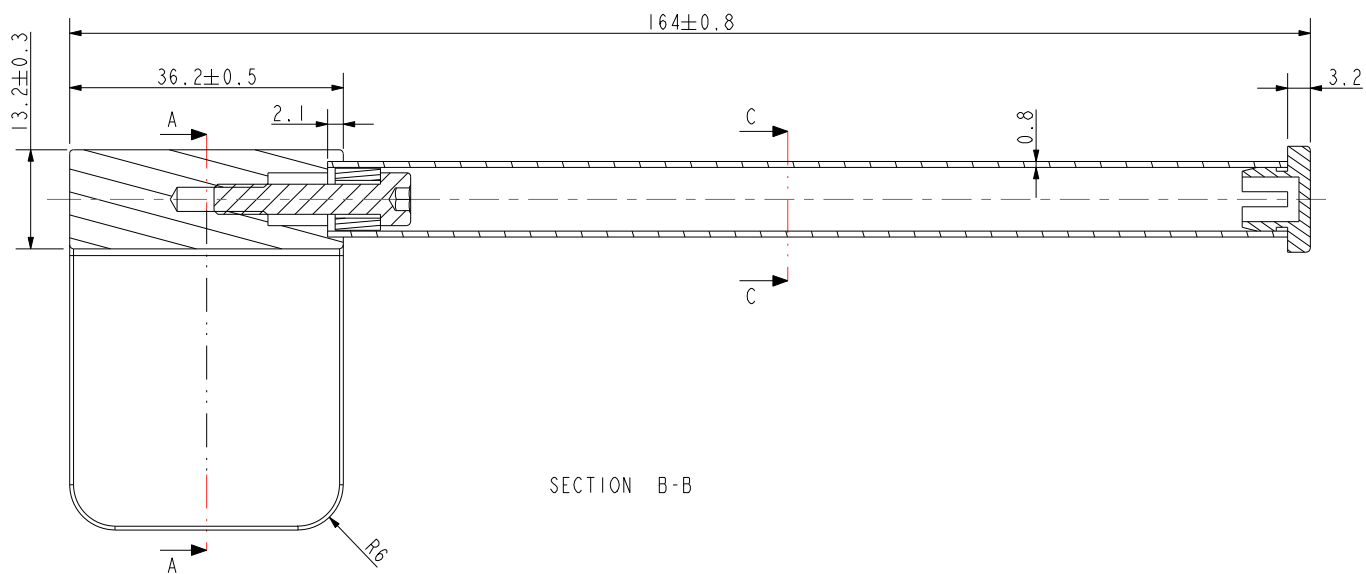
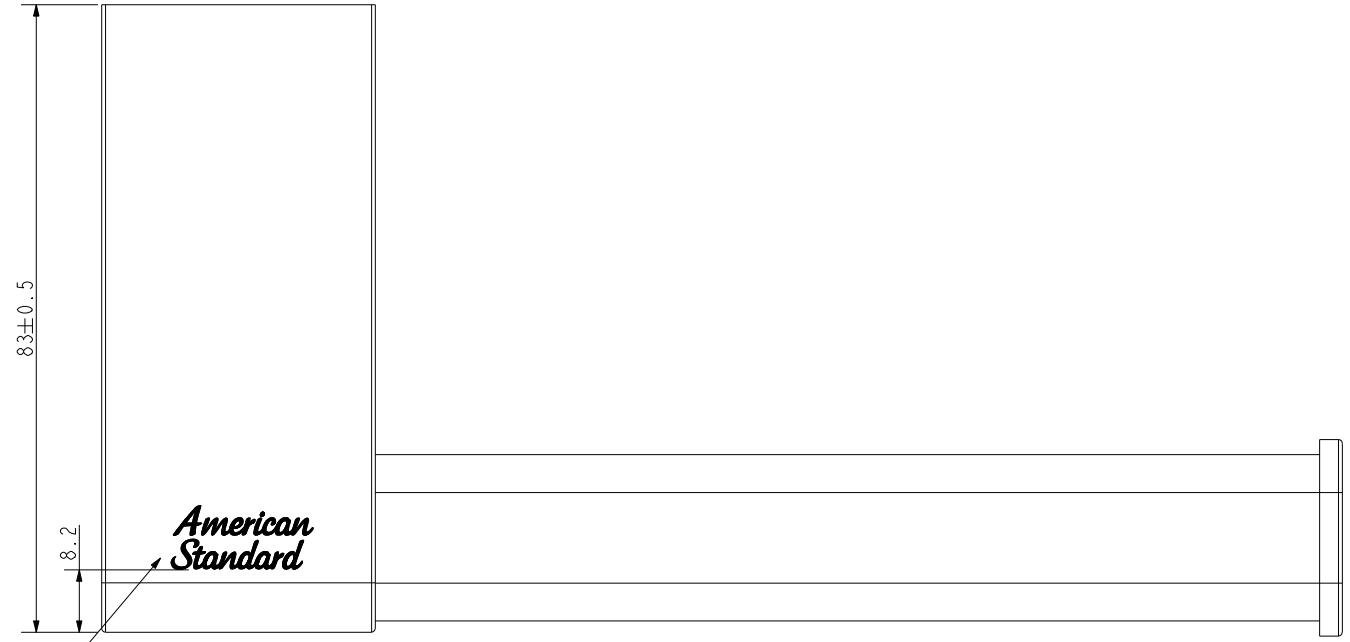


Tolerance, Unless Otherwise Stated, Is			
Above 0.5 to and including 6	±0.1		
Excess 6 to and including 30	±0.2		
Excess 30 to and including 120	±0.3		
Excess 120 to and including 315	±0.5		
Excess 315 to and including 1000	±0.8		
Excess 1000 to and including 2000	±1.2		



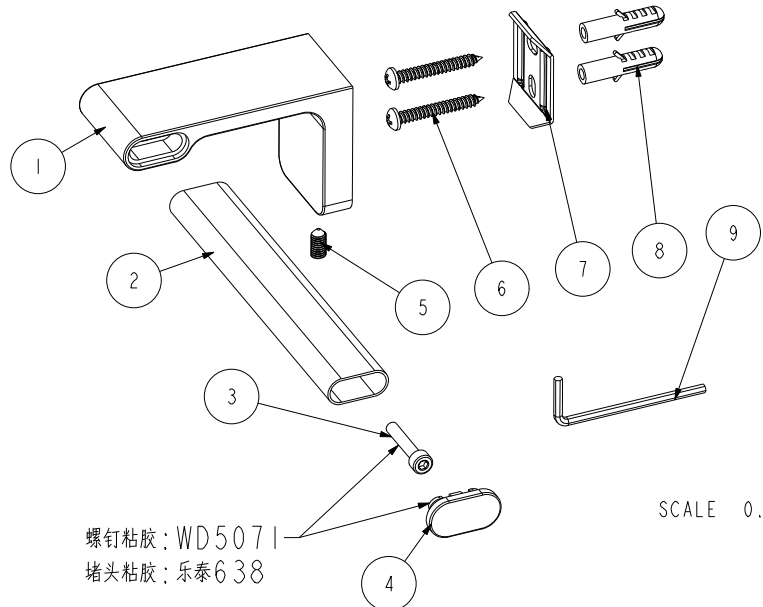
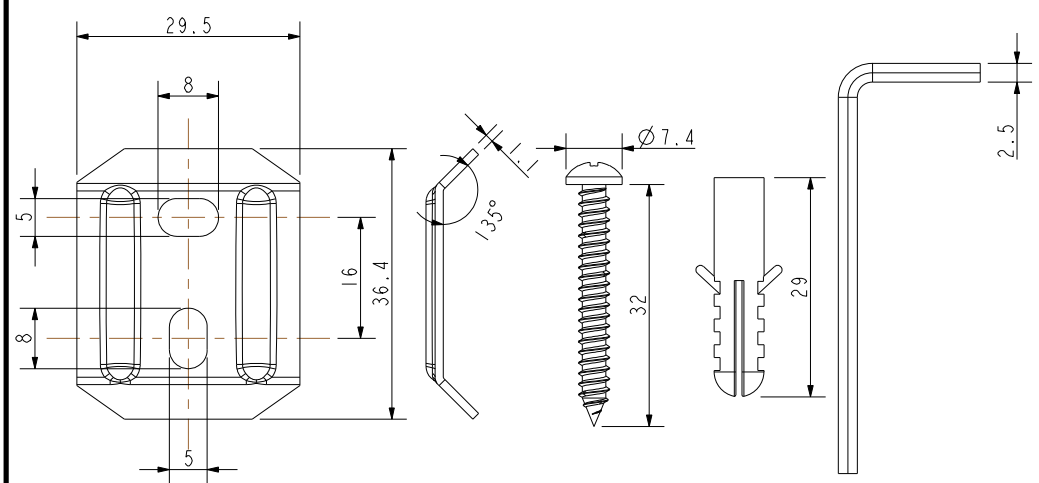
SCALE 0.400



激光印AS\_Logo,位置居中 字宽18mm

技术要求:

- 1、所用尺寸均为一般尺寸;
- 2、具体按《W110.3204》浴室配件进货检验标准检验;
- 3、产品表面不应有胶水印;
- 4、产品外箱需标明净重与毛重;



SCALE 0.400

NO.	Part No.	Part Name	QTY	Material	Remark
9	159Z138109	内六角扳手2.5	1	A3	
8	159Z138108	φ6塑料膨胀管	2	PA66	
7	159Z138106	安装固定片	1	SUS304	
6	159Z138107	ST4.2自攻螺丝	2	SUS304	
5	159Z138104	内六角螺钉 M5*10	1	SUS304	
4	159Z138103	堵头	1	ZZnAl4-1	镀铬
3	159Z138703	内六角螺钉	1	SUS304	
2	159Z138702	纸巾架横杆	1	H65	镀铬
1	159Z138701	纸巾架底座	1	ZZnAl4-1	抛丸镀铬

DESIGNED	CHECKED	APPROVED	SCALE	MATERIAL	WEIGHT	TITLE
			1.000	Assembly		REF 新阿卡西亚纸巾架
						DWG NO. FFASI387-908500BF0



REV	DESCRIPTION	DATE	NAME