

## Acacia Evolution

Acacia SupaSleek OP 2.6/4L CBR  
SS WT

Toilet

## STYLE SEGMENT

- Modern

## KEY SPECIFICATIONS

- Product Dimensions: W385\*L747\*H634 mm
- Installation Type: Floor Mounted
- Flushing System: Double Vortex
- Flushing Platform: Washdown
- Flushing Type: Dual flush
- Flushing Volume: 2.6/4 litre per flush
- Trapway: S Trap
- Rough In: 305 mm
- Trapway Design: Fully Skirted
- Bowl Shape: Elongated
- Water Pressure, Dynamic (MPa): 0.05 Megapascal
- Water Pressure, Static (MPa): 0.75 Megapascal
- Material: Vitreous China
- Color Availability: White Heat II



## SHIPPING WEIGHT

- Net Weight: 56.6 kg
- Gross Weight: 62.1 kg

## KEY TECHNOLOGIES AND FEATURES

## HYGIENE

- Aqua Ceramic
- ComfortClean
- Power Rim
- Double Vortex

## COMFORT

- Comfort Curve Seat
- Comfort Push Button
- Right Height

## CONVENIENCE

- Slow-Closing Seat & Cover
- Easy Release
- Quick-Detach Seat Cover
- Skirted Design

## DURABILITY

- Complies with American Standard Quality Standards

## SUSTAINABILITY

- Dual Flush
- Water-Saving

## SAFETY

- Complies with American Standard Quality Standards

## OTHERS

- NIL

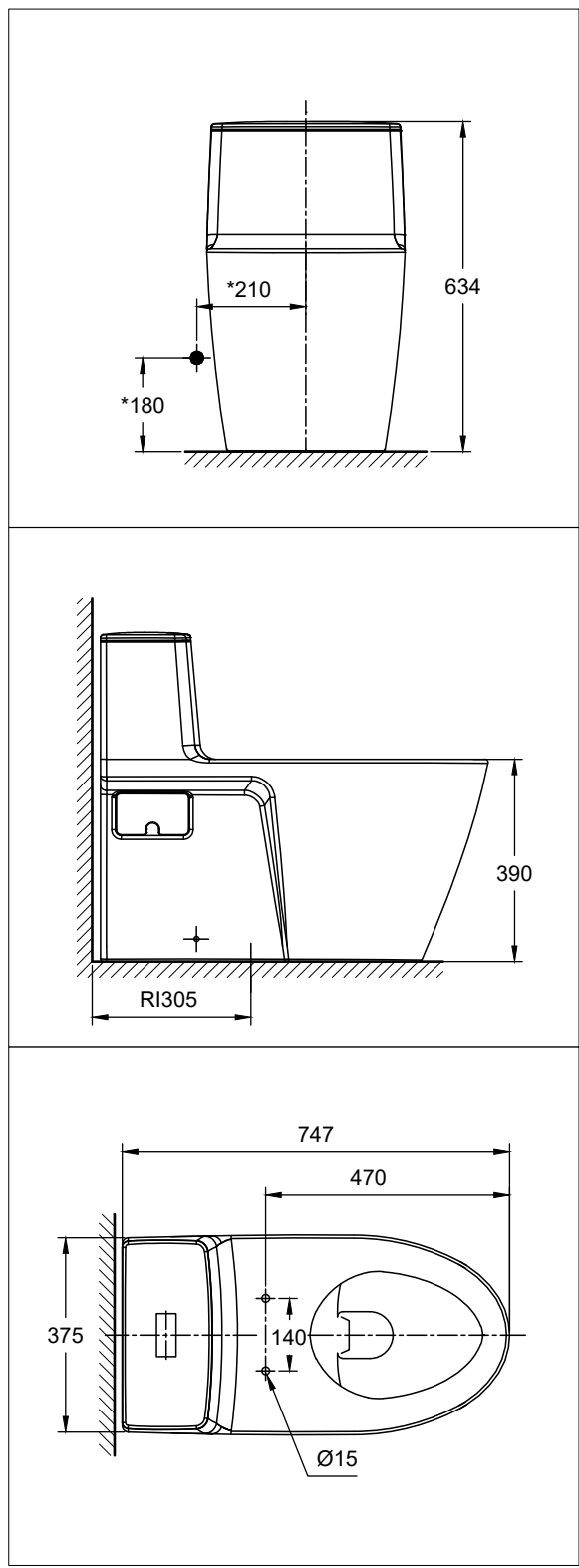
## STANDARDS AND CERTIFICATIONS

- SS 378-1996

Acacia Evolution

Acacia SupaSleek OP 2.6/4L CBR  
SS WT

Toilet



## Acacia Evolution

Acacia SupaSleek OP 2.6/4L CBR  
SS WT

Toilet

Item	Description	NA
Dimensions	Product (mm)	W385*L747*H634 mm
Material & Color	Material	Vitreous China
	Color	White Heat II
Bowl	Shape	Elongated
Trapway	Type	S Trap
	Rough-in (mm)	305 mm
	Design	Fully Skirted
Flushing	System	Double Vortex
	Type	Dual flush
	Platform	Washdown
	Volume	2.6/4 litre per flush
Water Pressure	Dynamic (MPa)	0.05 Megapascal
	Static (MPa)	0.75 Megapascal
Installation	Type	Floor Mounted
Components	Toilet Seat Included	Yes
Shipping	Net Weight (kg)	56.6 kg
	Gross Weight (kg)	62.1 kg
	Product Weight (kg)	50 kg
	Dimensions (mm)	450*800*650 mm