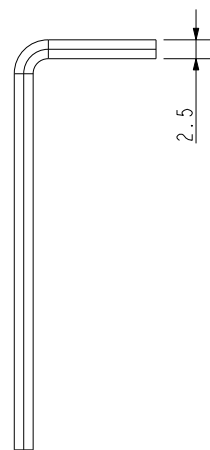
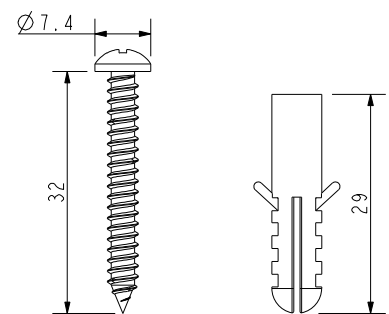
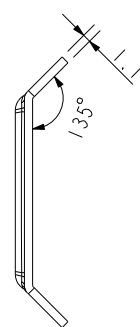
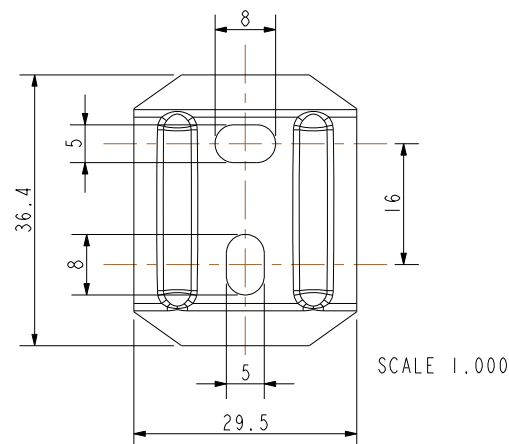
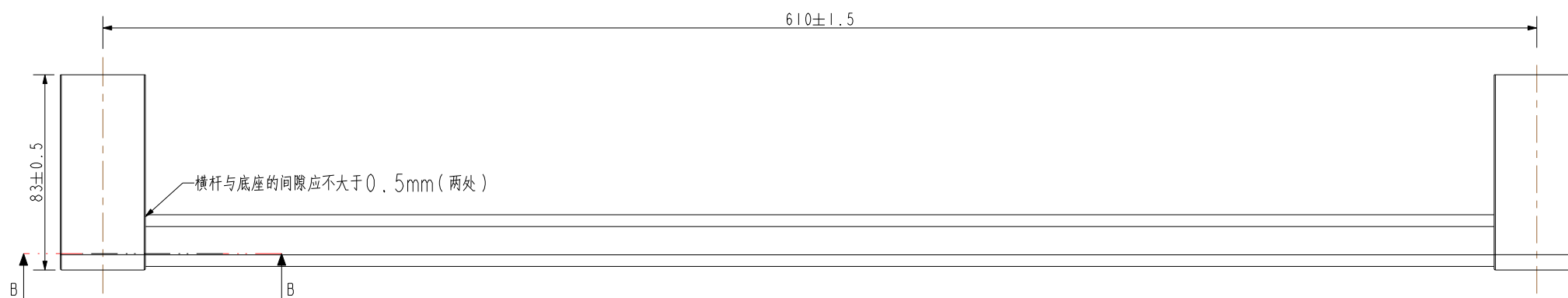
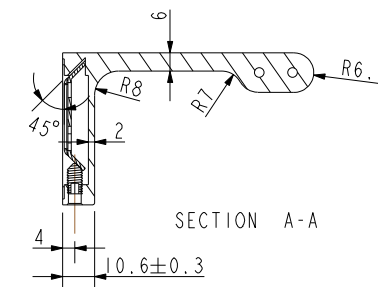
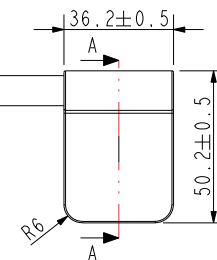
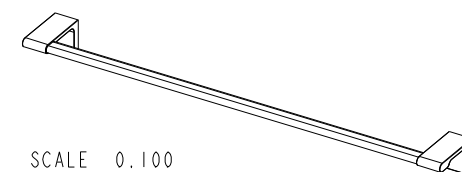
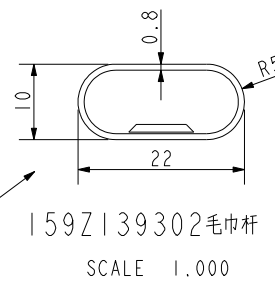
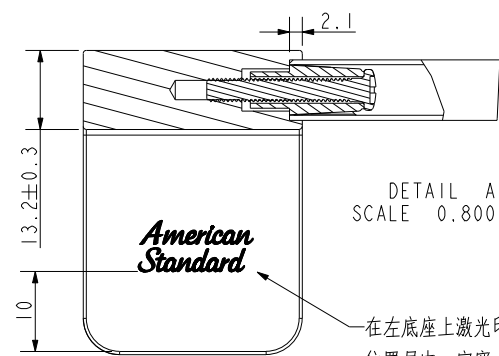
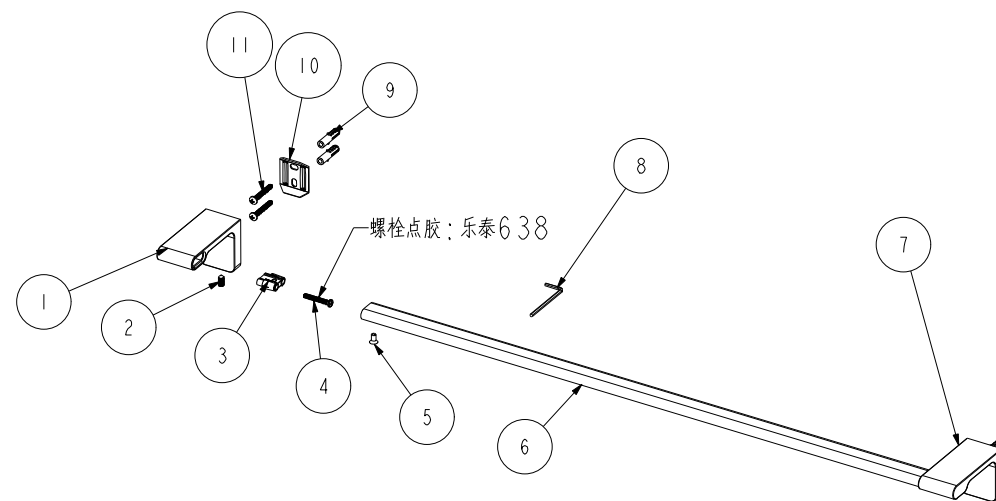


| Tolerance, Unless Otherwise Stated, Is | | |
|--|------|--|
| Above 0.5 to and including 6 | ±0.1 | |
| Excess 6 to and including 30 | ±0.2 | |
| Excess 30 to and including 120 | ±0.3 | |
| Excess 120 to and including 315 | ±0.5 | |
| Excess 315 to and including 1000 | ±0.8 | |
| Excess 1000 to and including 2000 | ±1.2 | |



技术要求:

- 1、所用尺寸均为一般尺寸;
- 2、具体按《W110.3204》浴室配件进货检验标准检验;
- 3、产品表面不应有胶水印;
- 4、产品外箱上需注明净重与毛重;



| | | | | | |
|----|------------|-------------|---|----------|------|
| 11 | 159Z138107 | ST4.2自攻螺丝 | 4 | SUS304 | |
| 10 | 159Z138106 | 安装固定片 | 2 | SUS304 | |
| 9 | 159Z138108 | Φ6塑料膨胀管 | 4 | PA66 | |
| 8 | 159Z138109 | 内六角扳手2.5 | 1 | A3 | |
| 7 | 159Z139303 | 单毛巾杆右底座 | 1 | ZZnAl4-1 | 抛光镀铬 |
| 6 | 159Z139302 | 毛巾杆 | 1 | H65 | 抛光镀铬 |
| 5 | 159Z139407 | 十字沉头螺钉 | 2 | SUS304 | |
| 4 | 159Z139406 | 螺栓 M4x28 | 2 | SUS304 | |
| 3 | 159Z139405 | 接头 | 2 | ZZnAl4-1 | |
| 2 | 159Z138104 | 内六角螺钉 M5*10 | 2 | SUS304 | |
| 1 | 159Z139301 | 单毛巾杆左底座 | 1 | ZZnAl4-1 | 抛光镀铬 |

| NO. | Part No. | Part Name | QTY | Material | Remark |
|----------|----------|-----------|--------------------|----------|--------|
| DESIGNED | | | TITLE | | |
| CHECKED | | | REF | | |
| APPROVED | | | 新阿卡西亚毛巾杆 | | |
| SCALE | MATERIAL | WEIGHT | DWG NO. | | |
| 0.400 | Assembly | | FFASI393-908500BF0 | | |

| REV | DESCRIPTION | DATE | NAME |
|-----|-------------|------|------|
| | | | |

American Standard