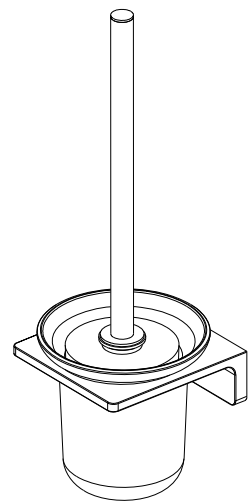
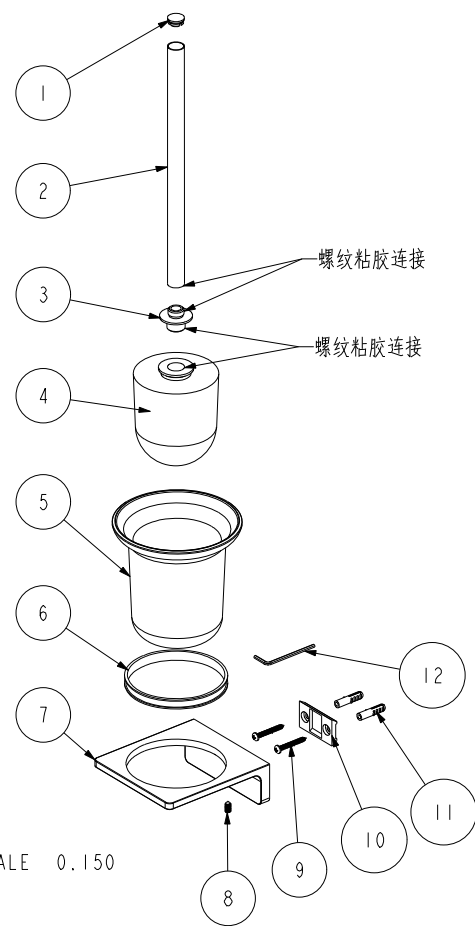


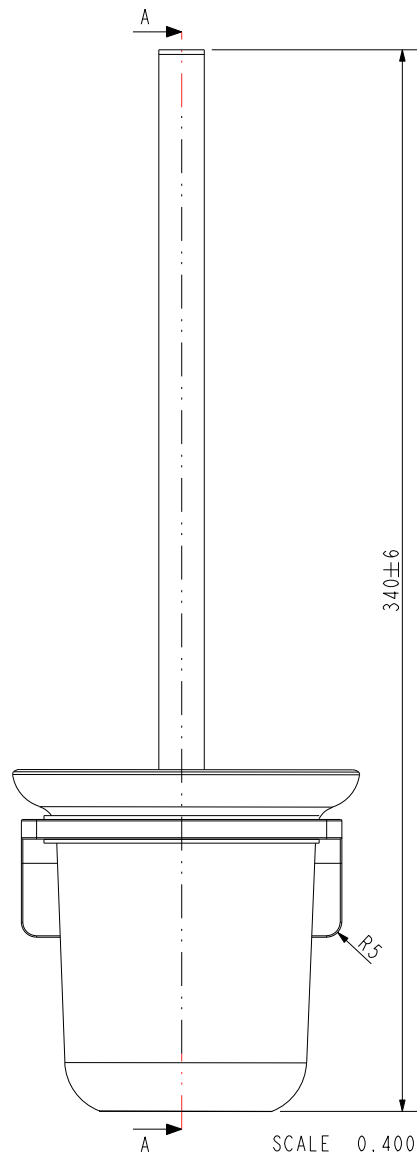
| Tolerance, Unless Otherwise Stated, Is | | | |
|--|-----------------------|------|------|
| Above | 0.5 to and including | 6 | ±0.1 |
| Excess | 6 to and including | 30 | ±0.2 |
| Excess | 30 to and including | 120 | ±0.3 |
| Excess | 120 to and including | 315 | ±0.5 |
| Excess | 315 to and including | 1000 | ±0.8 |
| Excess | 1000 to and including | 2000 | ±1.2 |



SCALE 0.200

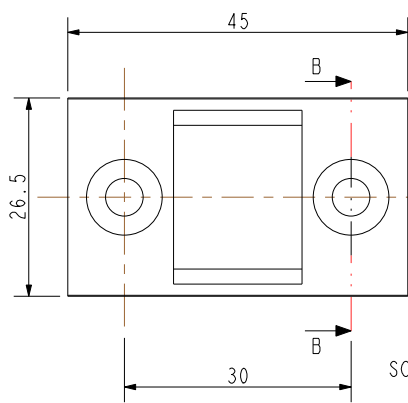


SCALE 0.150

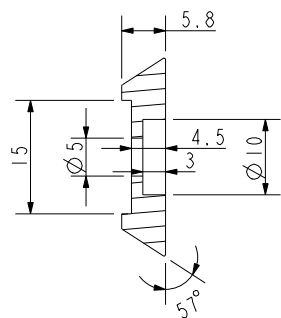


SCALE 0.400

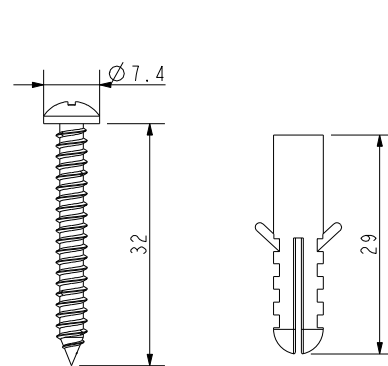
激光印AS_Logo, 字宽18mm
106±0.5



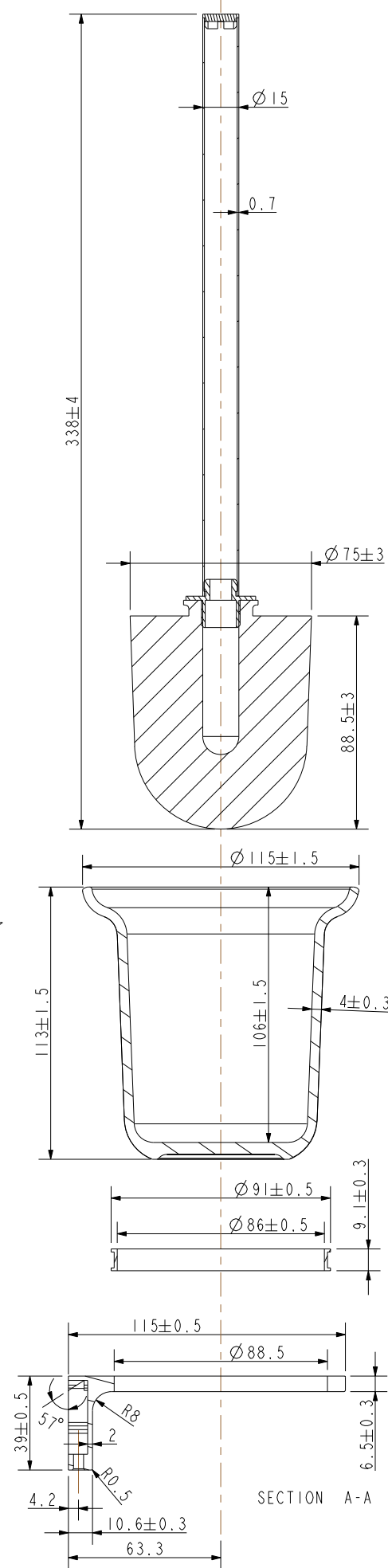
SCALE 1.000



SECTION B-B



SCALE 1.000



SECTION A-A

技术要求:

- 1、所用尺寸均为一般尺寸;
- 2、具体按Q/ASJM 001-2014《马桶刷》企业产品标准检验;
- 3、玻璃杯安放在杯座上时,应被有效紧固,不可松动;
- 4、产品表面不应有胶水印,塑料垫圈外援应无飞边;
- 5、产品外箱需标明净重与毛重;

| NO. | Part No. | Part Name | QTY | Material | Remark |
|-----|------------|-------------|-----|----------|--------|
| 12 | 159Z138109 | 内六角扳手2.5 | 1 | A3 | |
| 11 | 159Z138108 | φ6塑料膨胀管 | 2 | PA66 | |
| 10 | 159Z138202 | 安装底片 | 1 | ZZnAl4-1 | |
| 9 | 159Z138107 | ST4.2自攻螺丝 | 2 | SUS304 | |
| 8 | 159Z138104 | 内六角螺钉 M5*10 | 1 | SUS304 | |
| 7 | 159Z138601 | 马桶刷底座 | 1 | ZZnAl4-1 | 抛光镀铬 |
| 6 | 159Z138602 | 大型橡胶垫圈 | 1 | PE | |
| 5 | 159Z138603 | 马桶刷玻璃杯 | 1 | 玻璃 | 磨砂 |
| 4 | 159Z138604 | 马桶刷头 | 1 | PP | 白色 |
| 3 | 159Z138605 | 马桶刷连杆法兰 | 1 | H59 | 镀铬 |
| 2 | 159Z138606 | 马桶刷杆 | 1 | H62 | 镀铬 |
| 1 | 159Z138607 | 刷杆堵头 | 1 | ZZnAl4-1 | 抛光镀铬 |

| DESIGNED | CHECKED | APPROVED | SCALE | MATERIAL | WEIGHT | TITLE |
|----------|---------|----------|-------|----------|--------|-------------------------------|
| | | | 0.400 | Assembly | | REF 新阿卡西亚马桶刷 |
| | | | | | | DWG NO. FFAS1386-908500BF0 |

American Standard

| REV | DESCRIPTION | DATE | NAME |
|-----|-------------|------|------|
| | | | |