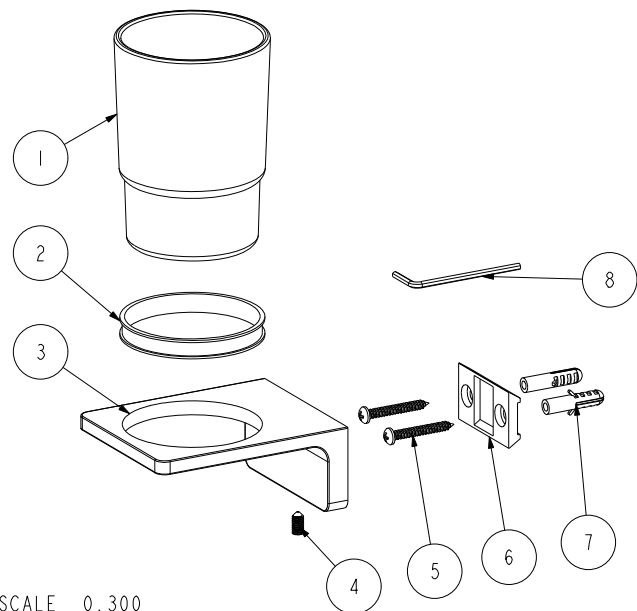
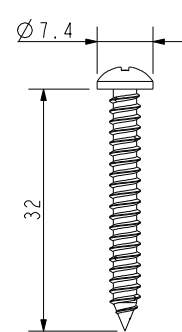
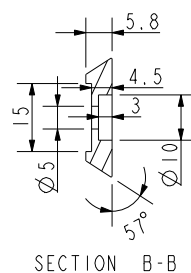
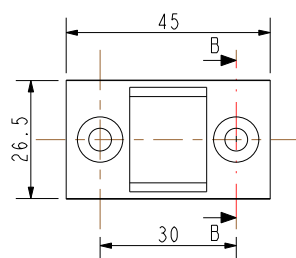


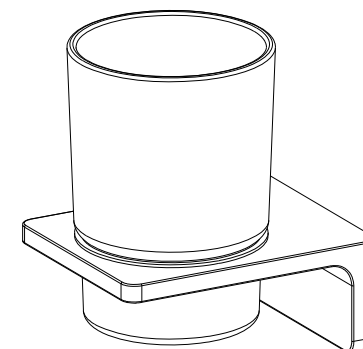
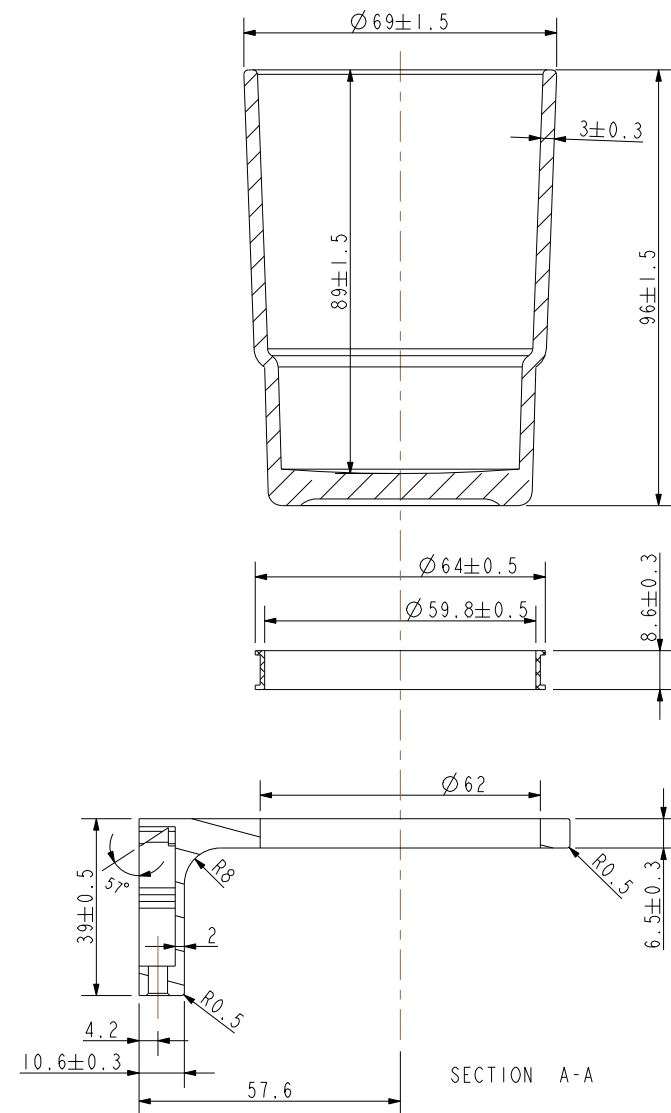
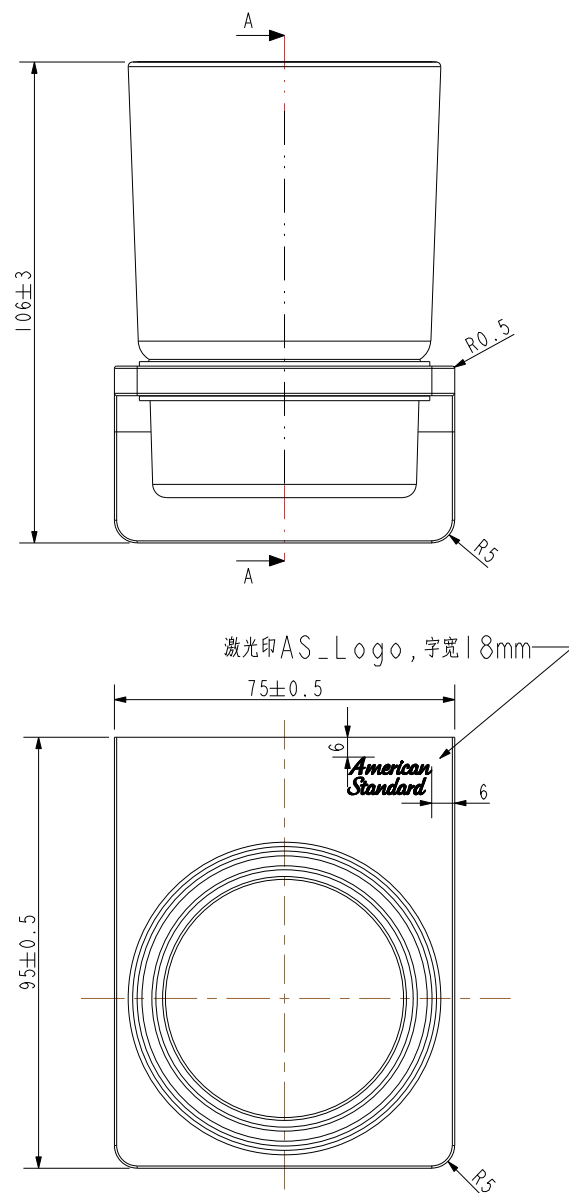
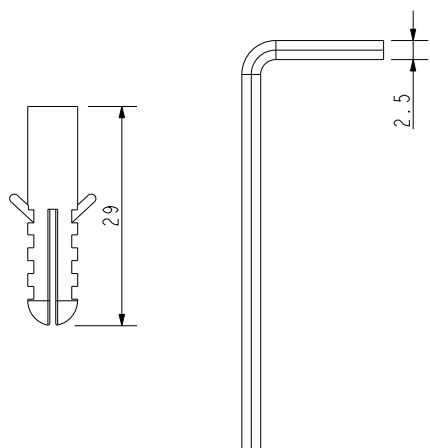
Tolerance, Unless Otherwise Stated, Is			
Above	0.5 to and including	6	±0.1
Excess	6 to and including	30	±0.2
Excess	30 to and including	120	±0.3
Excess	120 to and including	315	±0.5
Excess	315 to and including	1000	±0.8
Excess	1000 to and including	2000	±1.2



SCALE 0.300



SCALE 1.000



SCALE 0.400

技术要求:

- 1、所用尺寸均为一般尺寸;
- 2、具体按《W110.3204》浴室配件进货检验标准检验;
- 3、玻璃杯安放在杯座上时应被有效紧固,不可松动;
- 4、塑料垫圈边缘应无飞边;
- 5、产品外箱需标明净重与毛重;

8	159Z138109	内六角扳手2.5	1	A3	
7	159Z138108	φ6塑料膨胀管	2	PA66	
6	159Z138202	安装底片	1	ZZnAl4-1	
5	159Z138107	ST4.2自攻螺丝	2	SUS304	
4	159Z138104	内六角螺钉 M5*10	1	SUS304	
3	159Z138201	皂盒底座	1	ZZnAl4-1	抛丸镀铬
2	159Z138402	塑料垫圈	1	PE	
1	159Z138401	玻璃杯	1	玻璃	磨砂
NO.	Part No.	Part Name	QTY	Material	Remark

DESIGNED			TITLE		
CHECKED			REF		
APPROVED			新阿卡西亚单杯架		
SCALE	MATERIAL	WEIGHT	DWG NO.		
0.600	Assembly		FFAS1384-908500BFO		

American Standard

REV	DESCRIPTION	DATE	NAME