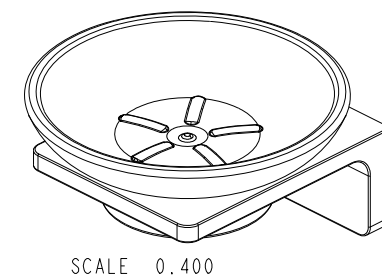
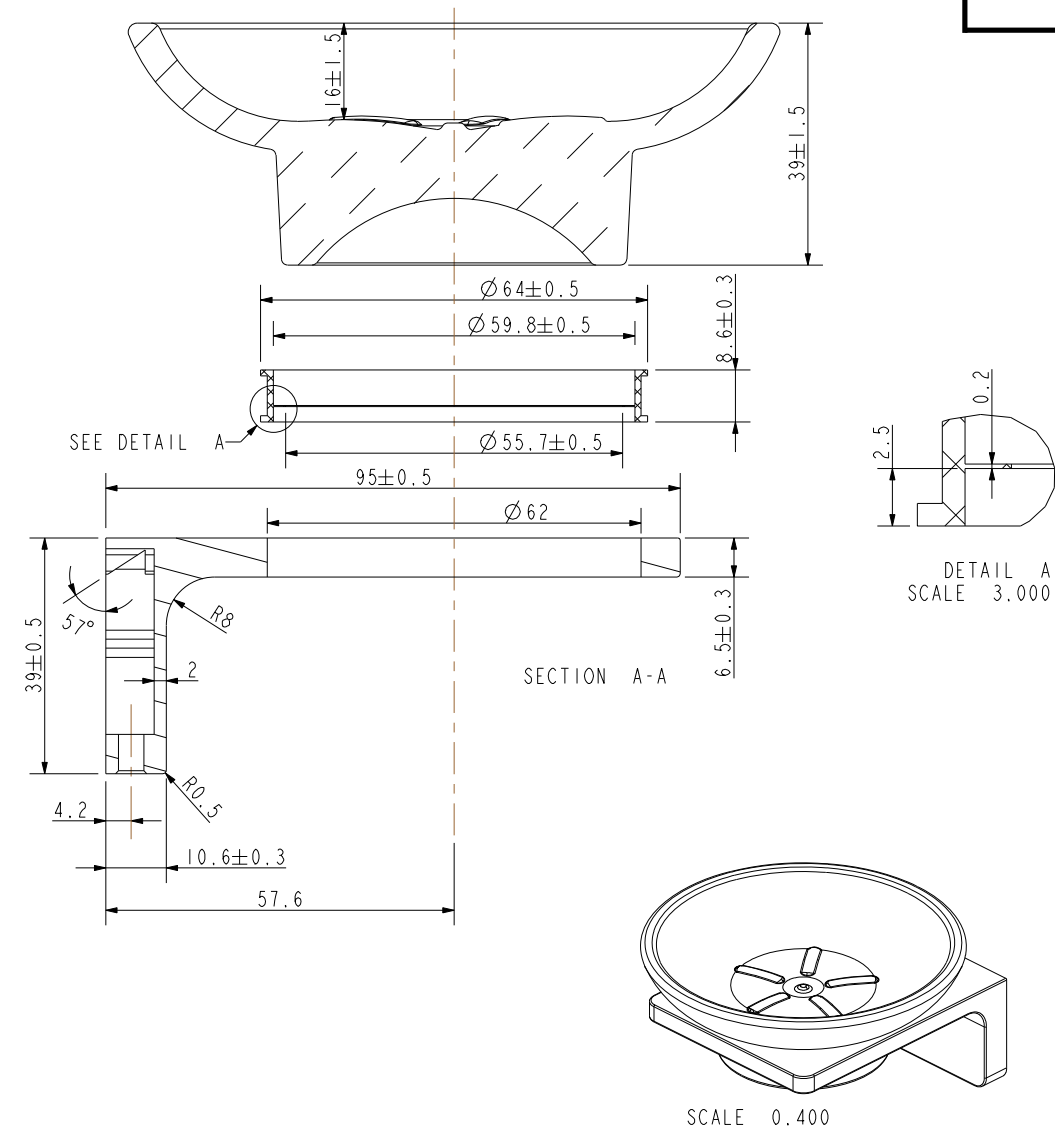
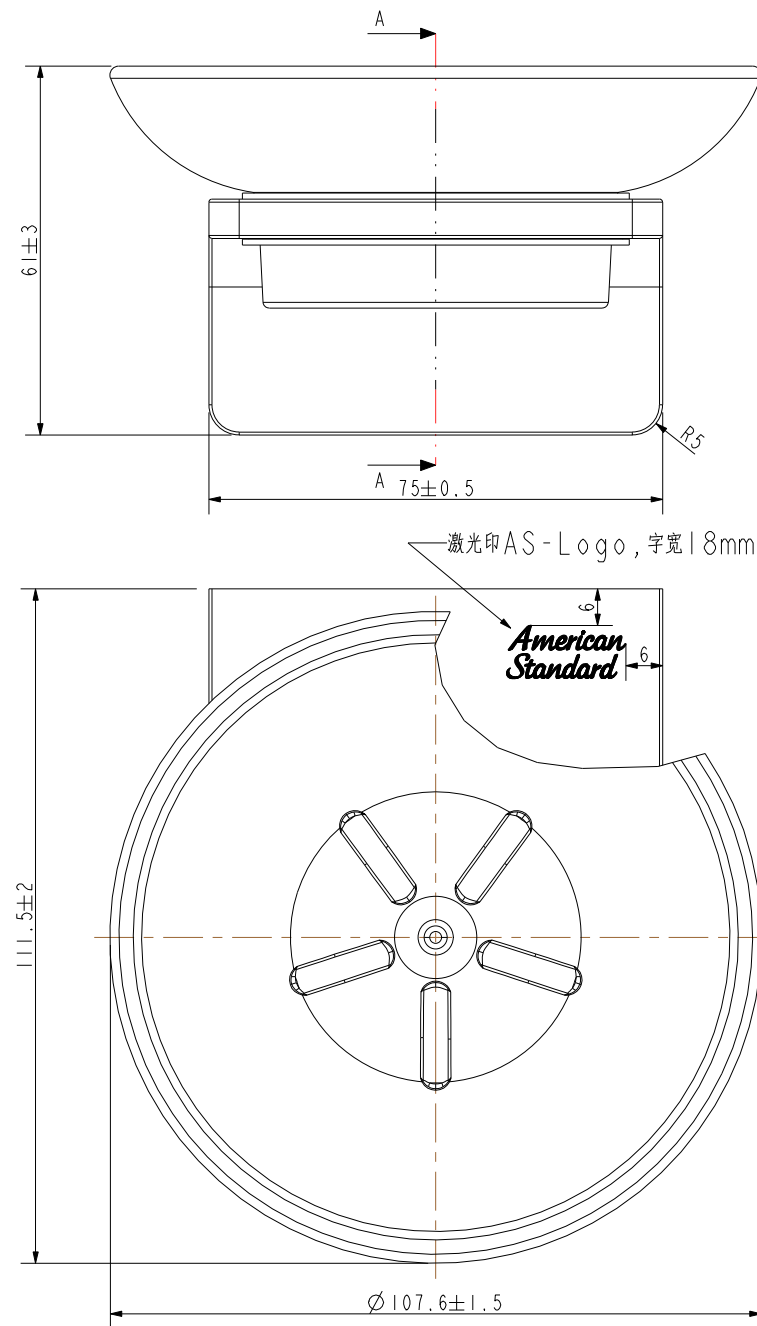
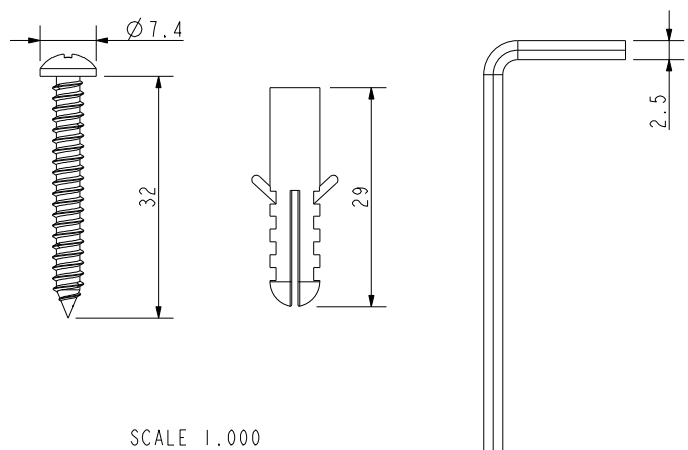
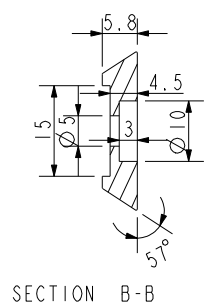
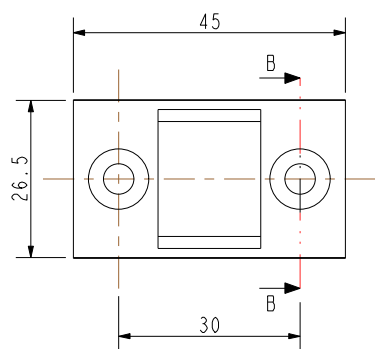
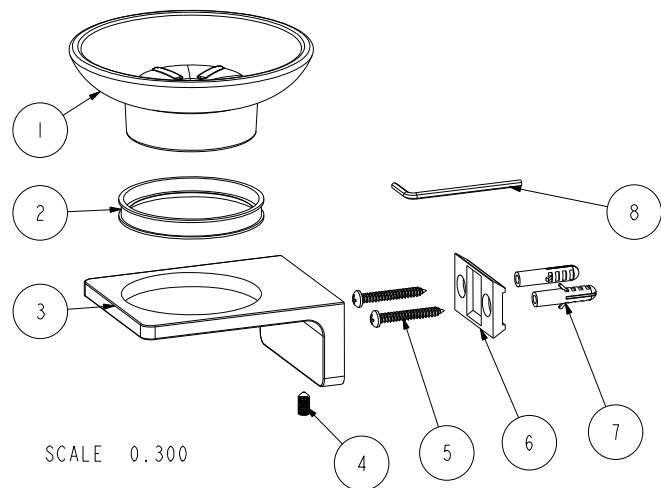


Tolerance, Unless Otherwise Stated, Is	
Above 0.5 to and including 6	±0.1
Excess 6 to and including 30	±0.2
Excess 30 to and including 120	±0.3
Excess 120 to and including 315	±0.5
Excess 315 to and including 1000	±0.8
Excess 1000 to and including 2000	±1.2



技术要求:

- 1、所用尺寸均为一般尺寸;
- 2、具体按《W110.3204》浴室配件进货检验标准检验;
- 3、皂碟安放在支座上时应被有效紧固,不可松动;
- 4、塑料垫圈边缘应无飞边;
- 5、产品外箱需标明净重与毛重;

8	159Z138109	内六角扳手2.5	1	A3	
7	159Z138108	φ6塑料膨胀管	2	PA66	
6	159Z138202	安装底片	1	ZZnAl4-1	
5	159Z138107	ST4.2自攻螺丝	2	SUS304	
4	159Z138104	内六角螺钉 M5*10	1	SUS304	
3	159Z138201	皂盒底座	1	ZZnAl4-1	抛光镀铬
2	159Z138204	塑料垫圈	1	PE	带紧圈胶舌
1	159Z138203	玻璃碟	1	玻璃	磨砂

NO.	Part No.	Part Name	QTY	Material	Remark
DESIGNED			TITLE		
CHECKED			REF		
APPROVED			新阿卡西亚皂盅		
SCALE	MATERIAL	WEIGHT	DWG NO.		American Standard
0.800	Assembly		FFAS1382-908500BF0		

REV	DESCRIPTION	DATE	NAME