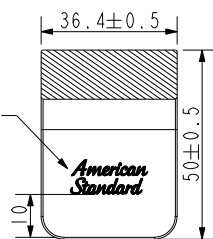
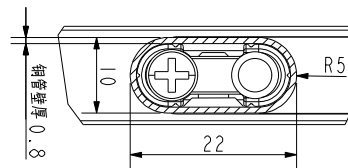


Tolerance, Unless Otherwise Stated, Is			
Above	0.5 to and including	6	±0.1
Excess	6 to and including	30	±0.2
Excess	30 to and including	120	±0.3
Excess	120 to and including	315	±0.5
Excess	315 to and including	1000	±0.8
Excess	1000 to and including	2000	±1.2

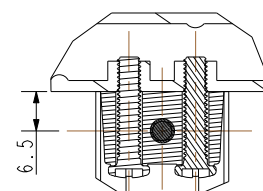
在左底座上激光印商标，位置居中，字宽18mm



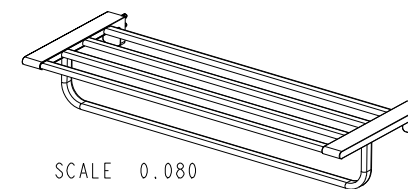
SECTION D-D
SCALE 0.500



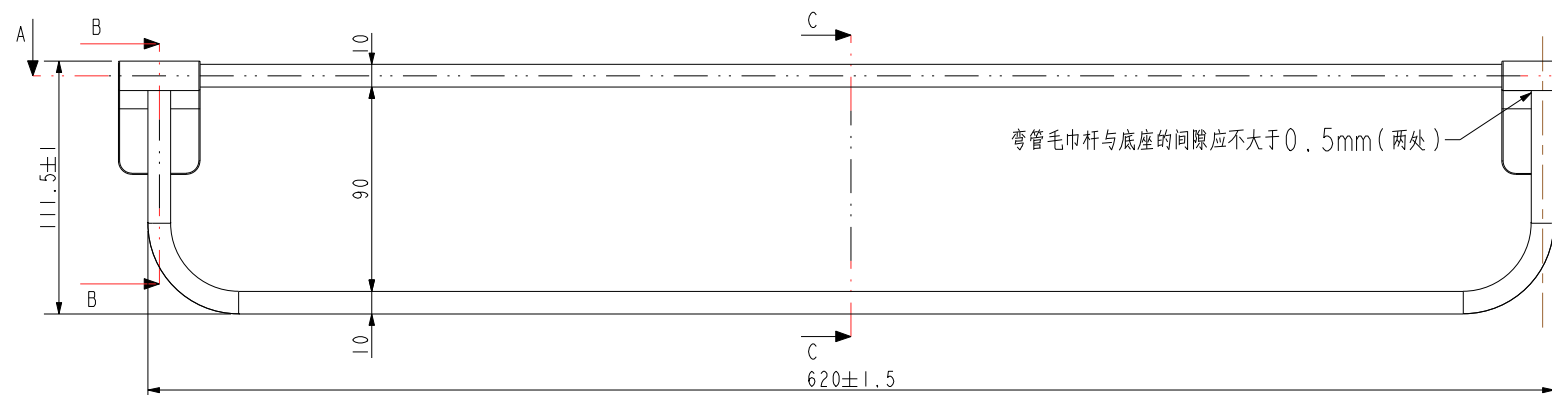
DETAIL A
SCALE 1.000



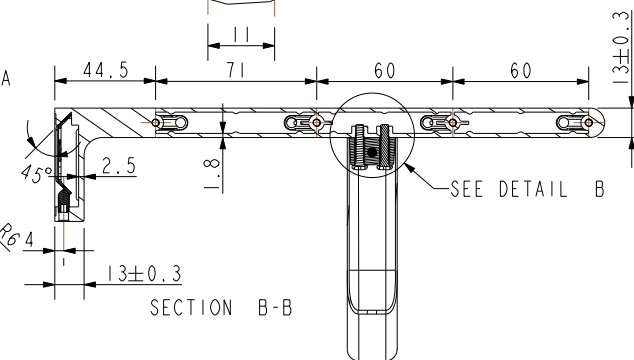
DETAIL B
SCALE 0.800



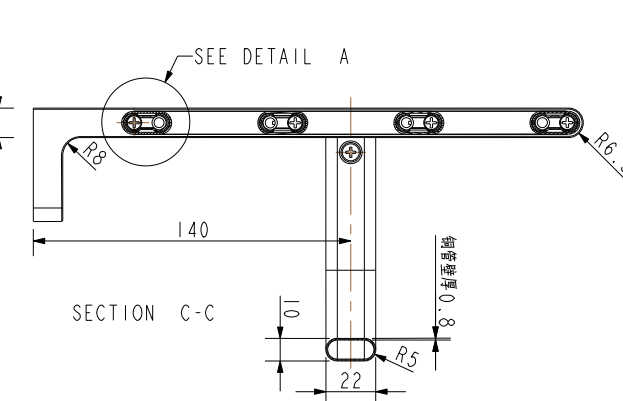
SCALE 0.080



弯管毛巾杆与底座的间隙应不大于0.5mm(两处)



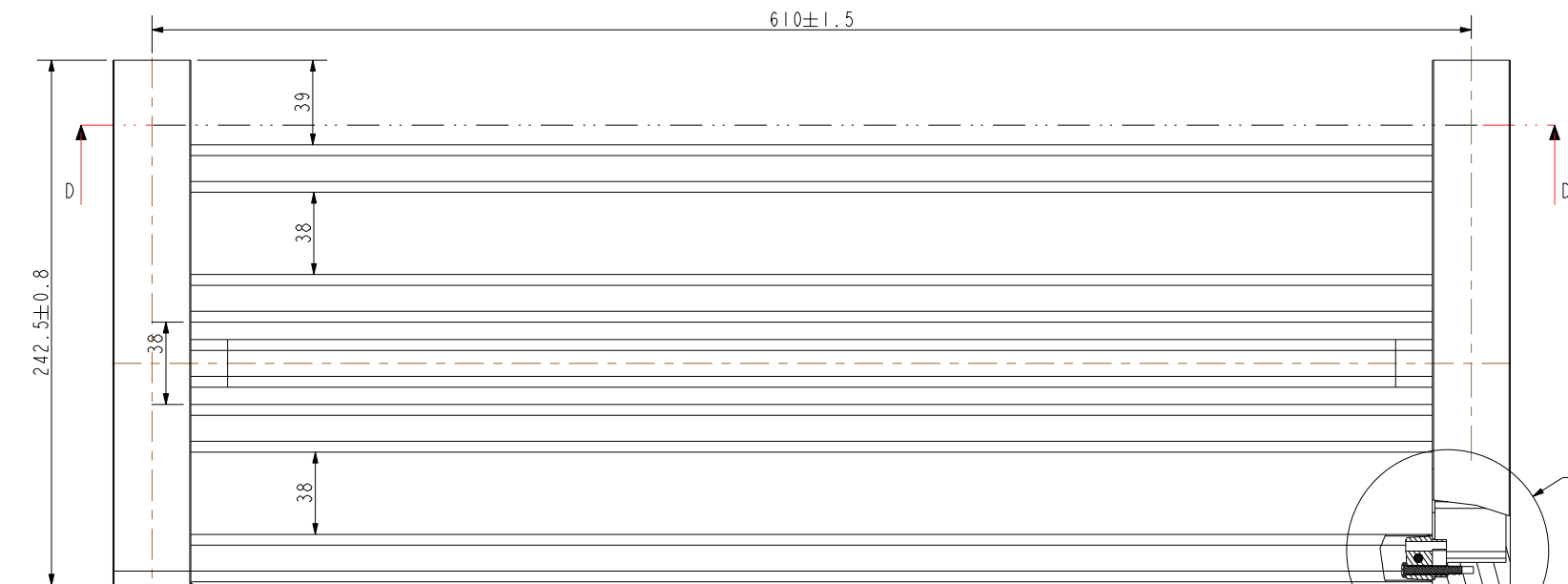
SECTION B-B



SECTION C-C

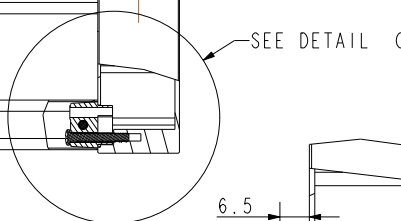
技术要求:

- 1、所用尺寸均为一般尺寸;
- 2、具体按《W110.3204》浴室配件进货检验标准检验;
- 3、产品表面不应有胶水印;
- 4、产品外箱需标明净重及毛重;

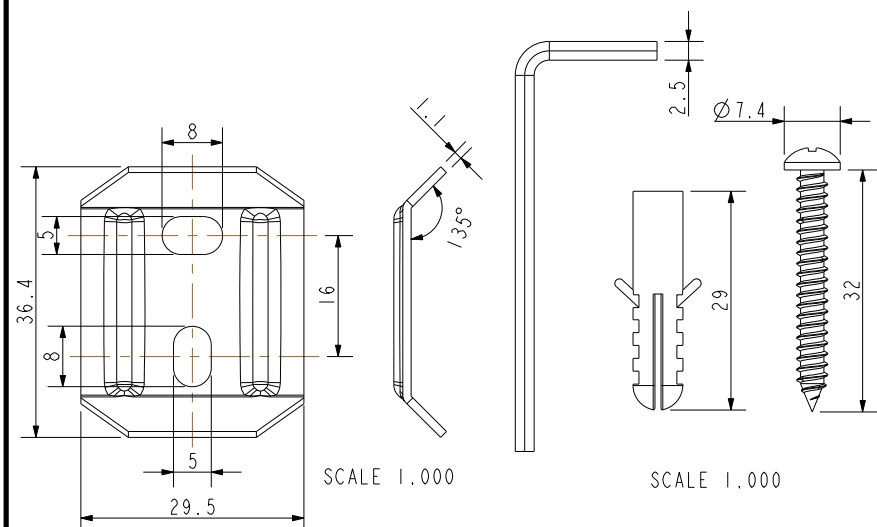


横杆与底座的间隙应不大于0.5mm(八处)

SECTION A-A

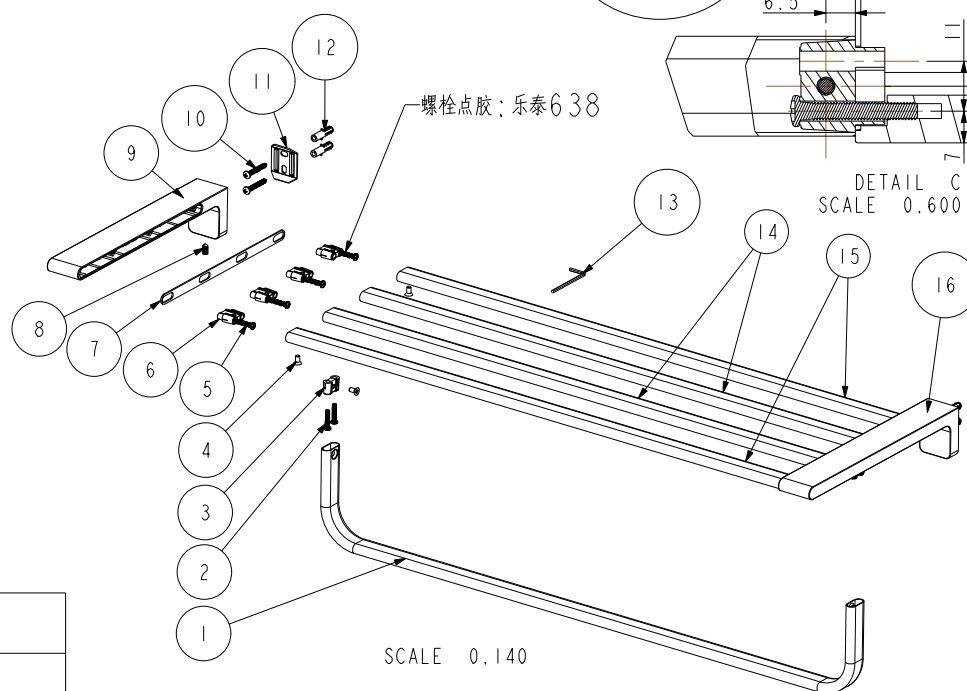


DETAIL C
SCALE 0.600



SCALE 1.000

SCALE 1.000



SCALE 0.140

16	159Z139512	右底座	1	ZZnAl4-1	抛光镀铬
15	159Z139408	毛巾杆	2	H65	抛光镀铬
14	159Z139509	毛巾杆(无孔)	2	H65	抛光电镀
13	159Z138109	内六角扳手2.5	1	A3	
12	159Z138108	φ6塑料膨胀管	4	PA66	
11	159Z138106	安装固定片	2	SUS304	
10	159Z138107	ST4.2自攻螺丝	4	SUS304	
9	159Z139505	左底座	1	ZZnAl4-1	抛光镀铬
8	159Z138104	内六角螺钉 M5*10	2	SUS304	
7	159Z139503	装饰盖	2	H62	抛光镀铬
6	159Z139405	接头	8	ZZnAl4-1	
5	159Z139406	螺栓 M4*28	8	SUS304	
4	159Z139407	十字沉头螺钉	6	SUS304	
3	159Z139508	接头	2	ZZnAl4-1	
2	159Z139510	螺栓 M4*20	4	SUS304	M4x20
1	159Z139511	弯管毛巾杆	1	H65	抛光镀铬
NO.	Part No.	Part Name	QTY	Material	Remark

DESIGNED			TITLE		
CHECKED			REF		
APPROVED			新阿卡西亚毛巾架		
SCALE	MATERIAL	WEIGHT	DWG NO.		
0.300	Assembly		FFAS1395-908500BF0		

American Standard

REV	DESCRIPTION	DATE	NAME