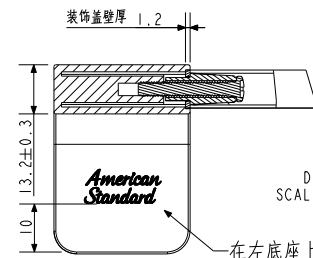
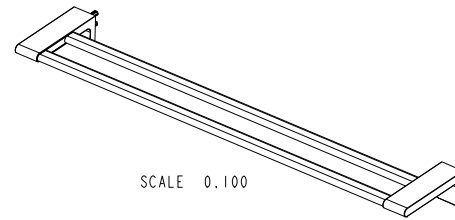


Tolerance, Unless Otherwise Stated, Is			
Above 0.5 to and including 6	±0.1		
Excess 6 to and including 30	±0.2		
Excess 30 to and including 120	±0.3		
Excess 120 to and including 315	±0.5		
Excess 315 to and including 1000	±0.8		
Excess 1000 to and including 2000	±1.2		

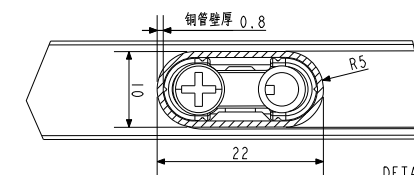


DETAIL A
SCALE 0.500

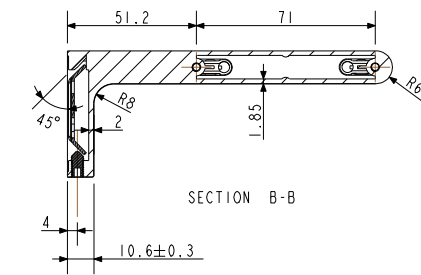
在左底座上激光印商标，位置居中，字宽18mm



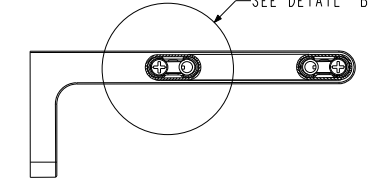
SCALE 0.100



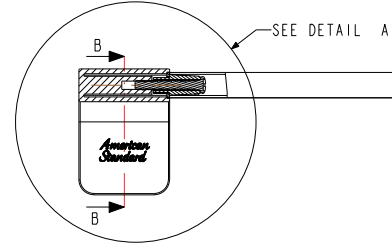
DETAIL B
SCALE 1.000



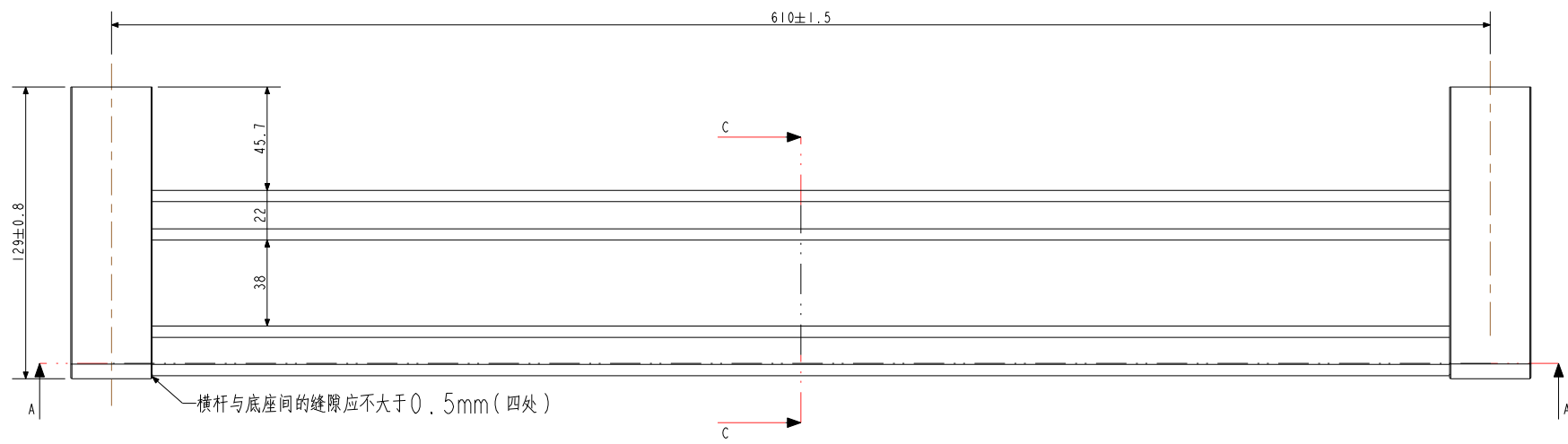
SECTION B-B



SECTION C-C



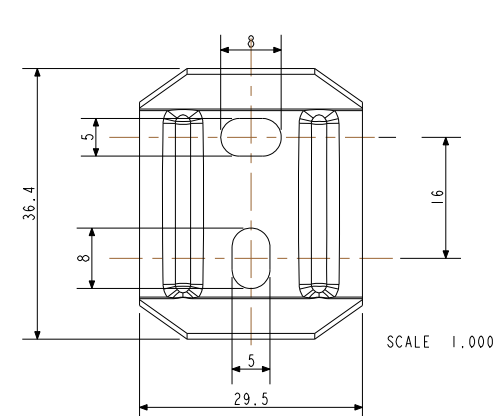
SECTION A-A



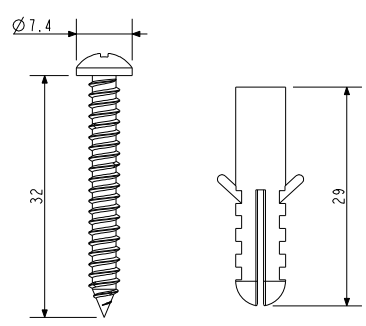
横杆与底座间的缝隙应不大于0.5mm(四处)

技术要求:

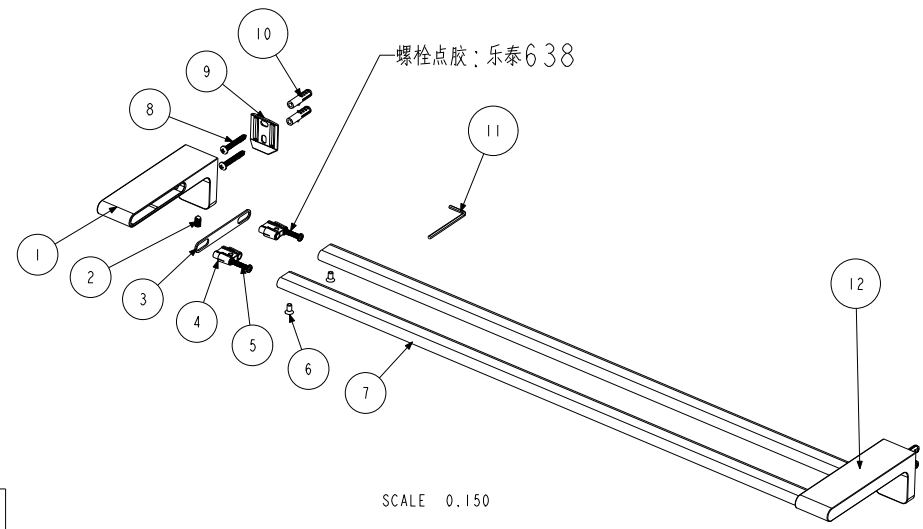
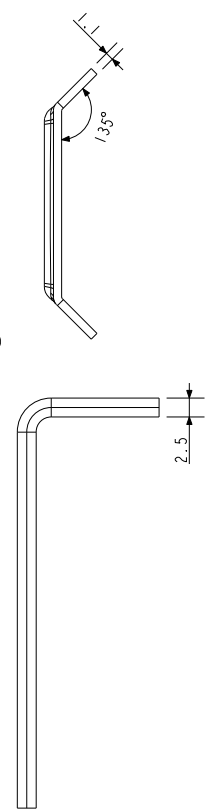
- 1、所用尺寸均为一般尺寸;
- 2、具体按《W110.3204》浴室配件进货检验标准检验;
- 3、产品表面不应有胶水印;
- 4、产品外箱上需标明净重及毛重;



SCALE 1.000



SCALE 1.000



SCALE 0.150

12	159Z139409	右底座	1	ZZnAl4-1	抛光镀铬
11	159Z138109	内六角扳手2.5	1	A3	
10	159Z138108	φ6塑料膨胀管	4	PA66	
9	159Z138106	安装固定片	2	SUS304	
8	159Z138107	ST4.2自攻螺丝	4	SUS304	
7	159Z139408	毛巾杆	2	H65	抛光镀铬
6	159Z139407	十字沉头螺钉	4	SUS304	
5	159Z139406	螺栓 M4x28	4	SUS304	
4	159Z139405	接头	4	ZZnAl4-1	
3	159Z139404	装饰盖	2	H62	抛光镀铬
2	159Z138104	内六角螺钉 M5*10	2	SUS304	
1	159Z139401	左底座	1	ZZnAl4-1	抛光镀铬
NO.	Part No.	Part Name	QTY	Material	Remark

REV	DESCRIPTION	DATE	NAME

DESIGNED			TITLE
CHECKED			REF
APPROVED			新阿卡西亚双毛巾杆
SCALE	MATERIAL	WEIGHT	DWG NO.
0.333	Assembly		FFASI394-908500BF0

