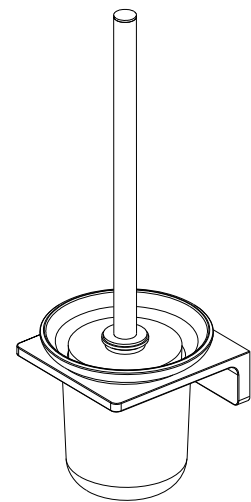
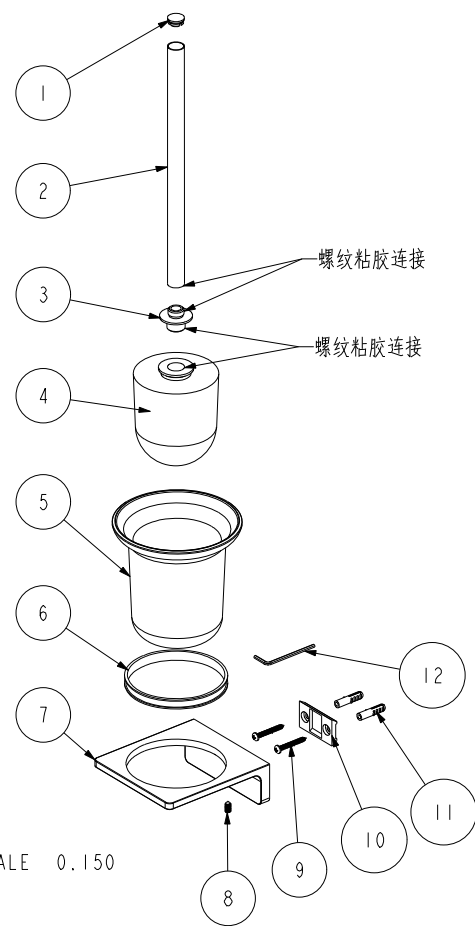


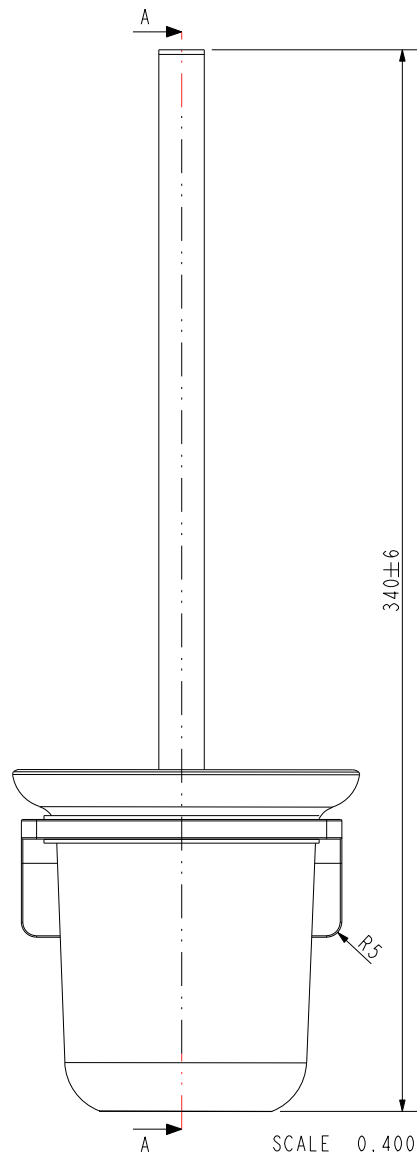
| Tolerance, Unless Otherwise Stated, Is | |
|--|------|
| Above 0.5 to and including 6 | ±0.1 |
| Excess 6 to and including 30 | ±0.2 |
| Excess 30 to and including 120 | ±0.3 |
| Excess 120 to and including 315 | ±0.5 |
| Excess 315 to and including 1000 | ±0.8 |
| Excess 1000 to and including 2000 | ±1.2 |



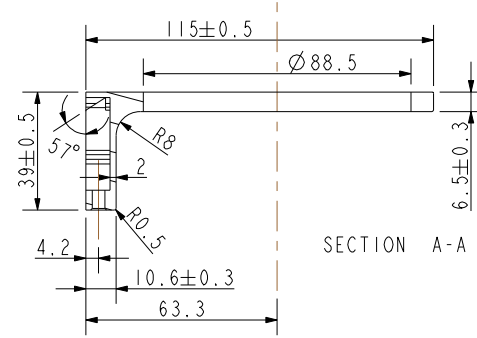
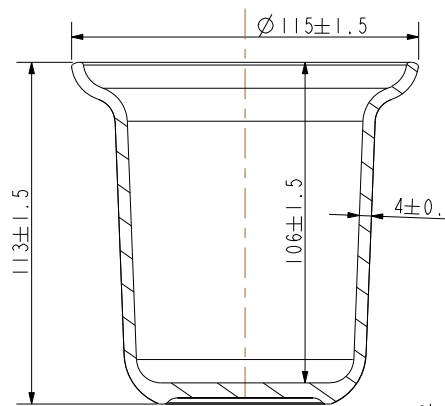
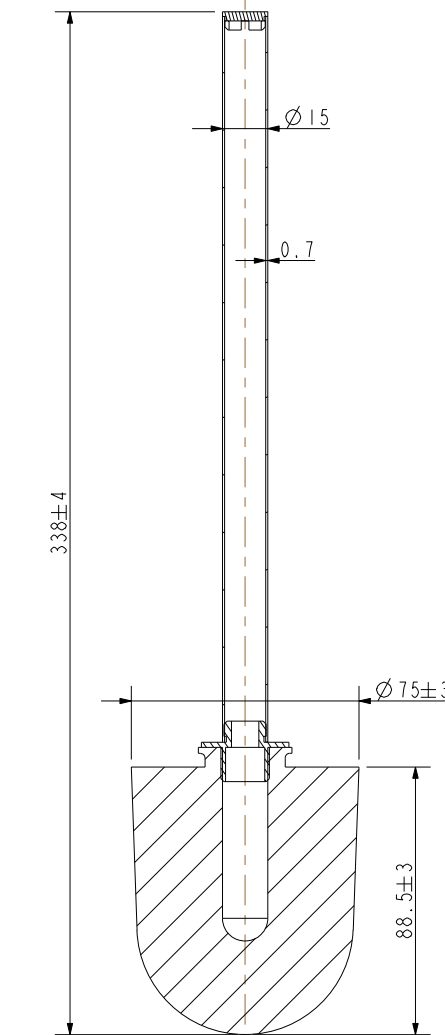
SCALE 0.200



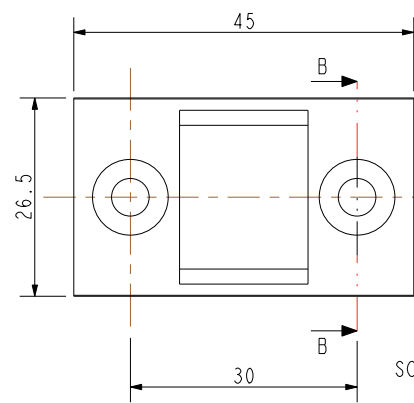
SCALE 0.150



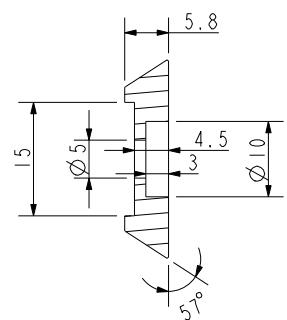
SCALE 0.400



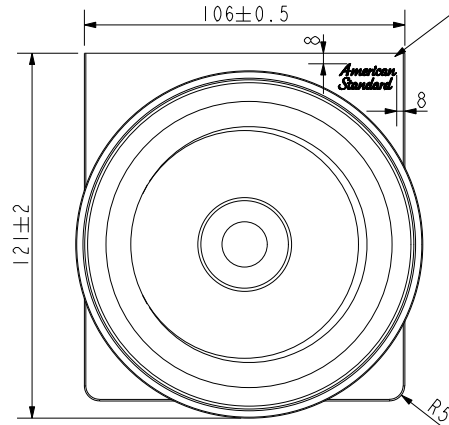
SECTION A-A



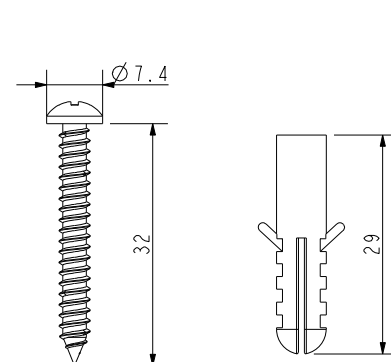
SCALE 1.000



激光印AS_Logo, 字宽18mm
106±0.5



SECTION B-B



SCALE 1.000



技术要求:

- 1、所用尺寸均为一般尺寸;
- 2、具体按Q/ASJM 001-2014《马桶刷》企业产品标准检验;
- 3、玻璃杯安放在杯座上时,应被有效紧固,不可松动;
- 4、产品表面不应有胶水印,塑料垫圈外援应无飞边;
- 5、产品外箱需标明净重与毛重;

| | | | | | |
|----|------------|-------------|---|----------|------|
| 12 | 159Z138109 | 内六角扳手2.5 | 1 | A3 | |
| 11 | 159Z138108 | Φ6塑料膨胀管 | 2 | PA66 | |
| 10 | 159Z138202 | 安装底片 | 1 | ZZnAl4-1 | |
| 9 | 159Z138107 | ST4.2自攻螺丝 | 2 | SUS304 | |
| 8 | 159Z138104 | 内六角螺钉 M5*10 | 1 | SUS304 | |
| 7 | 159Z138601 | 马桶刷底座 | 1 | ZZnAl4-1 | 抛光镀铬 |
| 6 | 159Z138602 | 大型橡胶圈 | 1 | PE | |
| 5 | 159Z138603 | 马桶刷玻璃杯 | 1 | 玻璃 | 磨砂 |
| 4 | 159Z138604 | 马桶刷头 | 1 | PP | 白色 |
| 3 | 159Z138605 | 马桶刷连杆法兰 | 1 | H59 | 镀铬 |
| 2 | 159Z138606 | 马桶刷杆 | 1 | H62 | 镀铬 |
| 1 | 159Z138607 | 刷杆堵头 | 1 | ZZnAl4-1 | 抛光镀铬 |

| NO. | Part No. | Part Name | QTY | Material | Remark |
|----------|----------|-----------|--------------------|----------|--------|
| DESIGNED | | | TITLE | | |
| CHECKED | | | REF | | |
| APPROVED | | | 新阿卡西亚马桶刷 | | |
| SCALE | MATERIAL | WEIGHT | DWG NO. | | |
| 0.400 | Assembly | | FFAS1386-908500BC0 | | |

American Standard

| REV | DESCRIPTION | DATE | NAME |
|-----|-------------|------|------|
| | | | |