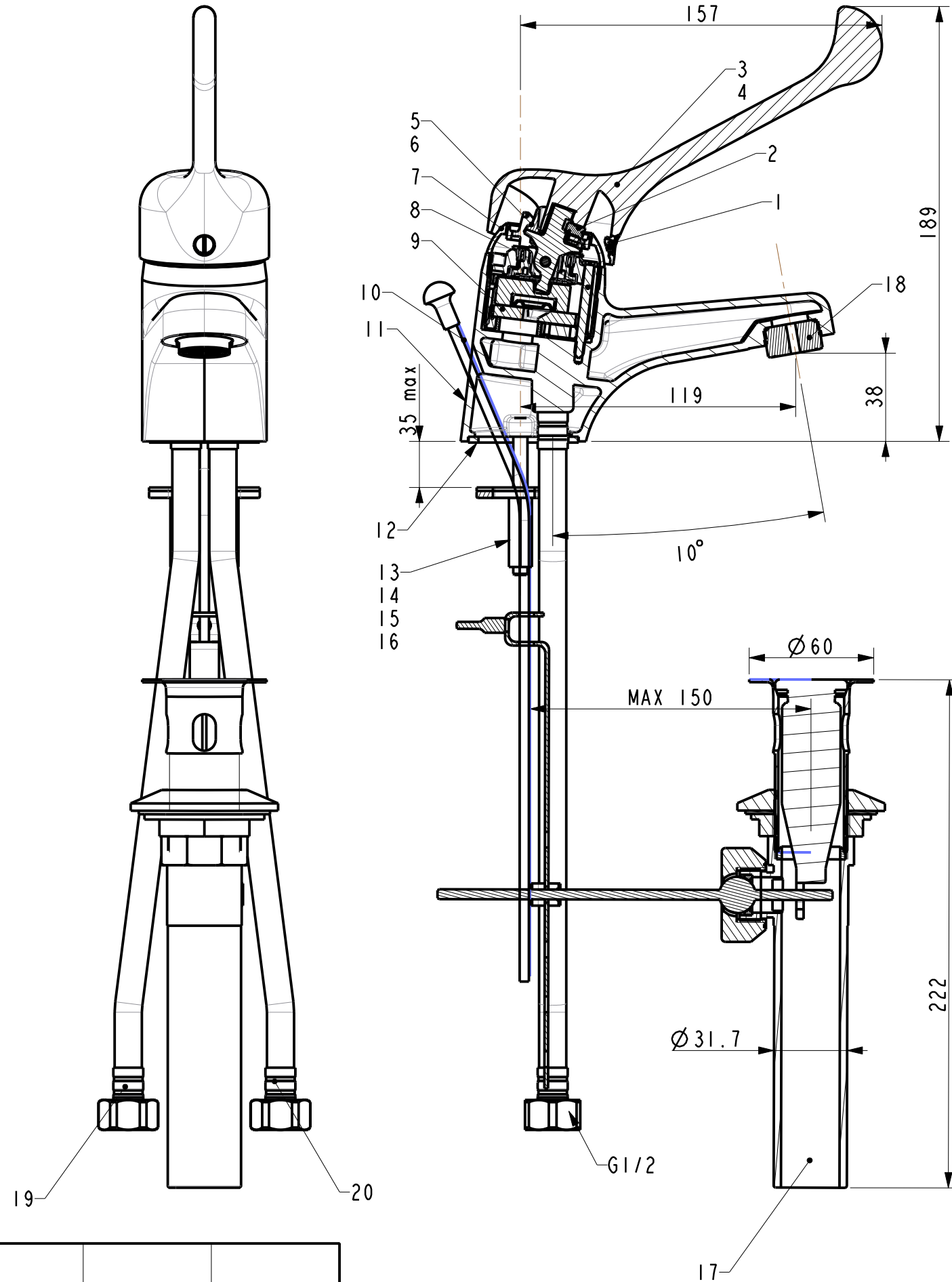


Tolerance, Unless Otherwise Stated, Is			
Above 0.5 to and including 6	6		±0.1
Excess 6 to and including 30	30		±0.2
Excess 30 to and including 120	120		±0.3
Excess 120 to and including 315	315		±0.5
Excess 315 to and including 1000	1000		±0.8
Excess 1000 to and including 2000	2000		±1.2



NO.	PART NO.	NAME	MATERIAL	QTY	REMARK
1	FF1-CN521Z00000074	SF Hd1 RednBlue Hole Cap(B)	abs	1	
2	FF1-CN521N00000184	Set Screw for Acacia Handle	sus304	1	
3	FF1-CN521L00000079	Long Lever Handle For Ceraplan Liner	ZZnA14-1	1	
4	FF1-CN521Z00000112	2385 Hd1 Bushing (W)	POM	1	
5	FF1-CN521Z00000051	Outside Part for Volume Stop(A992370	POM	1	
6	FF1-CN521Z00000052	Inner Part for Volume Stop (A9923708	POM	1	
7	FF1-CN521F00000029	Ceraplan Cap (Cr)	ABS	1	
8	FF1-CN521N00000201	Legend Cartridge Screw	sus304	3	
9	FF1-CN521C00000005	Cartridge 47# (A954700NU11)	ASSEMBLY	1	
10	FF1-CN521X00000006	15809912X0\Ceraplan Pop-Up Assemble	ASSEMBLY	1	
11	FFZZ1261-10550BDPL	1580017650\Ceraplan Sgl-Hole Faucet	BRASS	1	
12	FF1-CN521G00000156	1581220399\O-Ring42.5X2.5	NBR	1	
13	FF1-CN521G00000091	1581191199\Regent Sgl Hole Bottom Wa	NBR	1	
14	FF1-CN521F00000063	1580770150\Regent Sgl Hole Fix Plate	sus304	1	
15	FF1-CN521N00000072	Regent Sgl Hole Lock Nut	BRASS	2	
16	FF1-CN521Z00000188	1581720299\3107 Bidet FT Fix Bolt	sus304	2	
17	FF1-CN521X00004650	PA Brass-Plastic Drain (Cr)	ASSEMBLY	1	
18	FF1-CN521A00000350	M24X1 Aerator For Kitchen (Class Y 4	ASSEMBLY	1	
19	FF1-CN521T00000006	Ceraplan inlet hose (red)	ASSEMBLY	1	
20	FF1-CN521T00000007	Ceraplan inlet hose (blue)	ASSEMBLY	1	

DESIGNED	TITLE
CHECKED	REF
APPROVED	Ceraplan long Lever Single hole Lava Faucet
SCALE	DWG NO.
MATERIAL	
WEIGHT	

American Standard

REV	DESCRIPTION	DATE	NAME