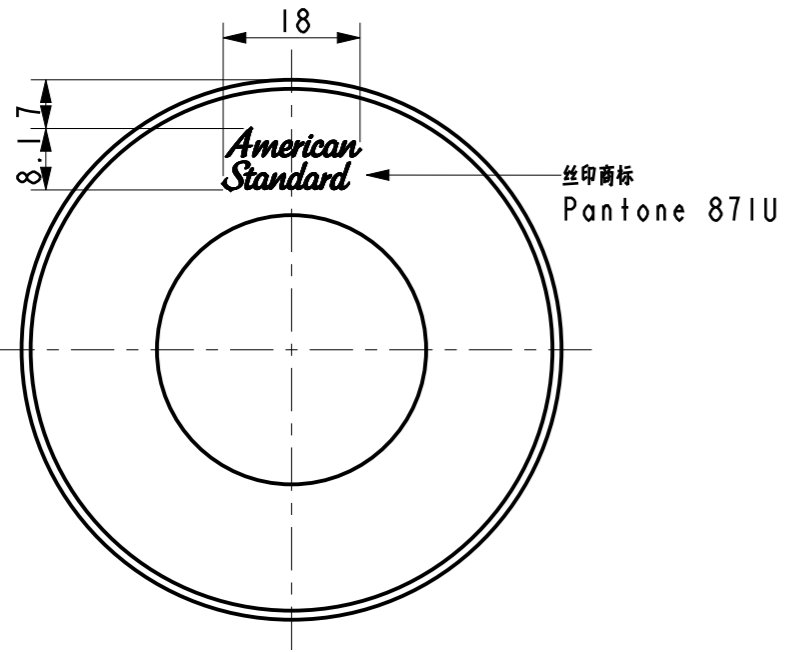
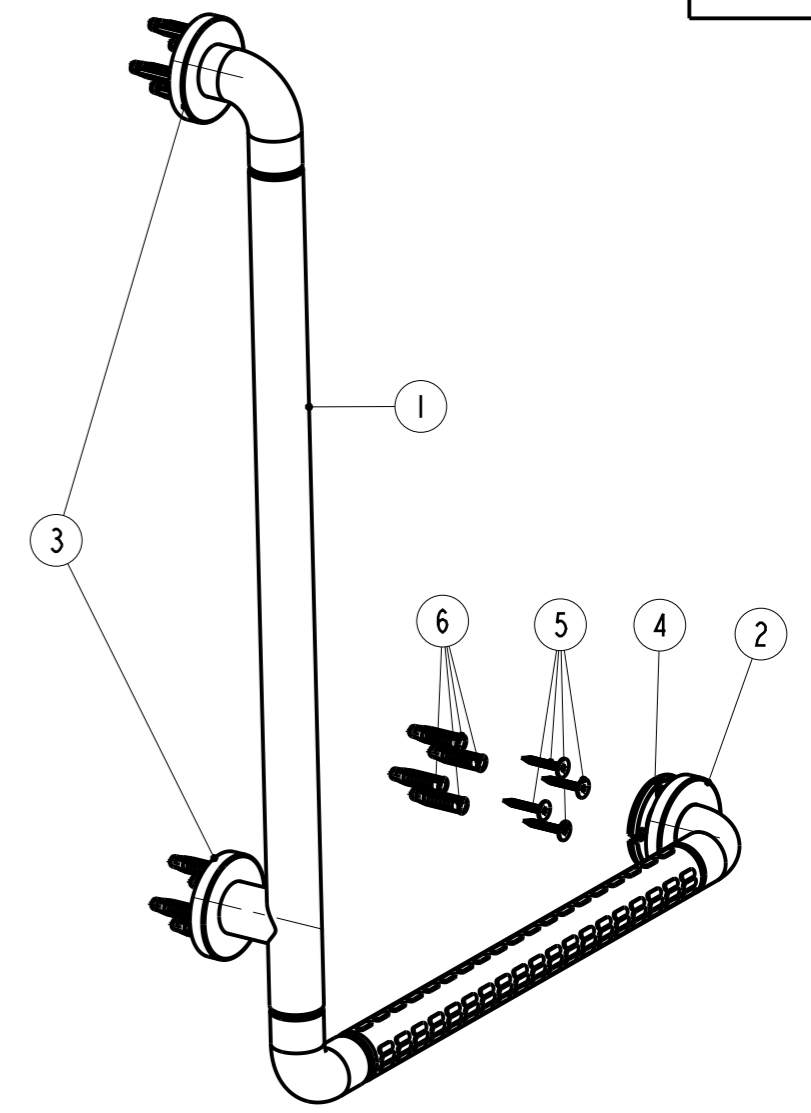
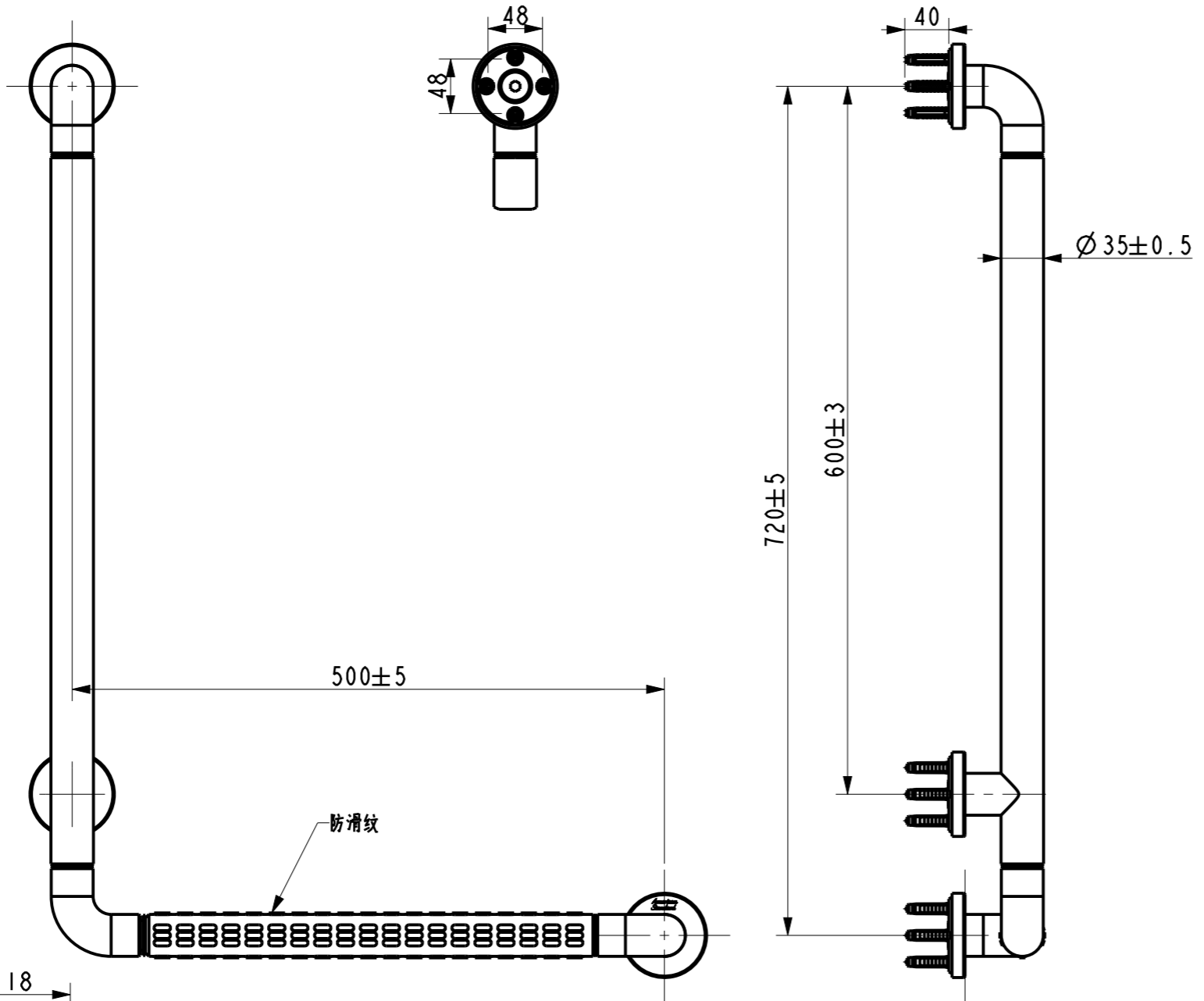


Tolerance, Unless Otherwise Stated, Is			
Above 0.5 to and including 6	±0.1		
Excess 6 to and including 30	±0.2		
Excess 30 to and including 120	±0.3		
Excess 120 to and including 315	±0.5		
Excess 315 to and including 1000	±0.8		
Excess 1000 to and including 2000	±1.2		



- 技术要求：
1. 防滑纹处要有防滑纹。
 2. 整体光滑，无毛刺。
 3. 印美标 Logo。

序号	物料代码	名称及描述	数量	材料	备注
6	FF1-CN521Z9Z940506	膨胀套	12	NYLON	长度40mm,配合孔为φ8
5	FF1-CN521Z9Z940505	自攻螺钉	12	SUS304	GB/T846 ST5.5X50
4	FF1-CN521Z9Z940504	固定座	3	SUS304	带内六角
3	FF1-CN521Z9Z940503	固定座面盖	2	NYLON	
2	FF1-CN521Z9Z940502	固定座面盖	1	NYLON	丝印商标
1	FF1-CN521Z9Z940501	L型扶手	1	NYLON	

DESIGNED		TITLE	GRAB BAR C606 RIGHT	
CHECKED		REF		
APPROVED			CF-9405.000.04\L型扶手(右向)(C606)	
SCALE	MATERIAL	WEIGHT	DWG NO.	American Standard
			FFAS9405-000040BC0	

REV	DESCRIPTION	DATE	NAME