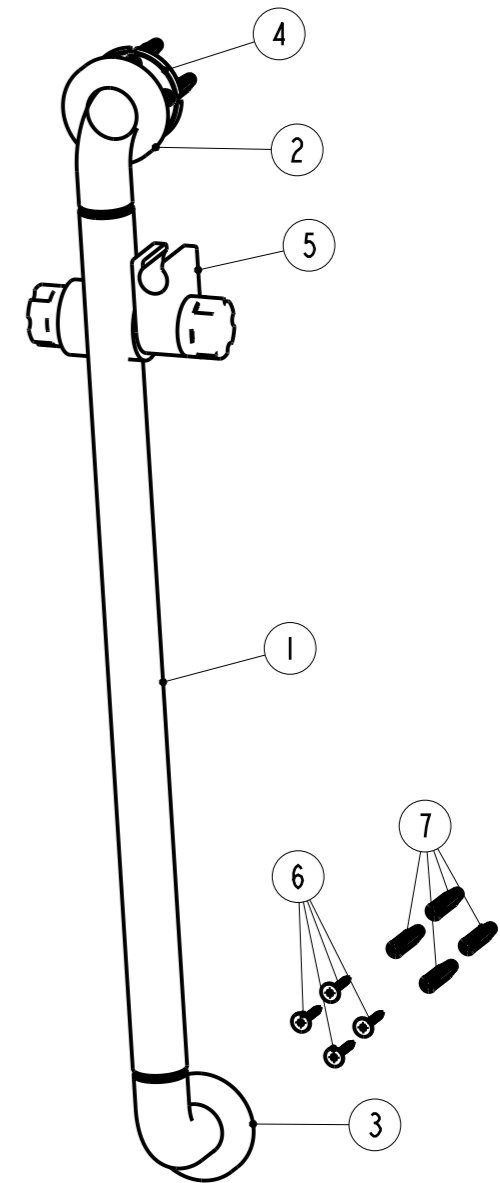
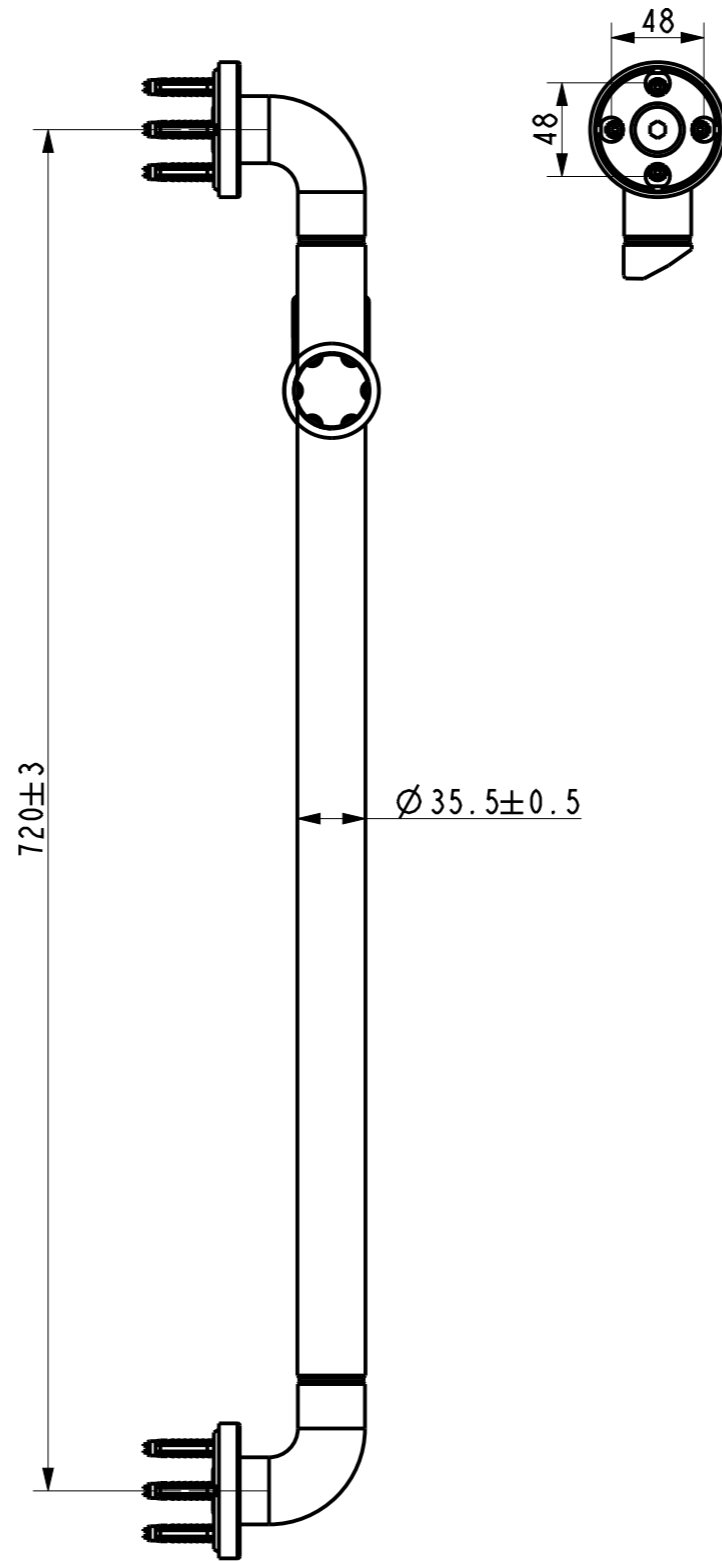
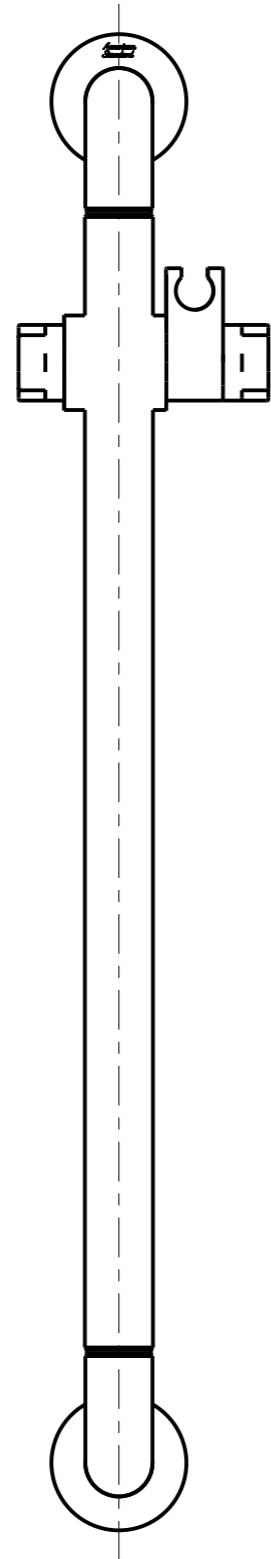
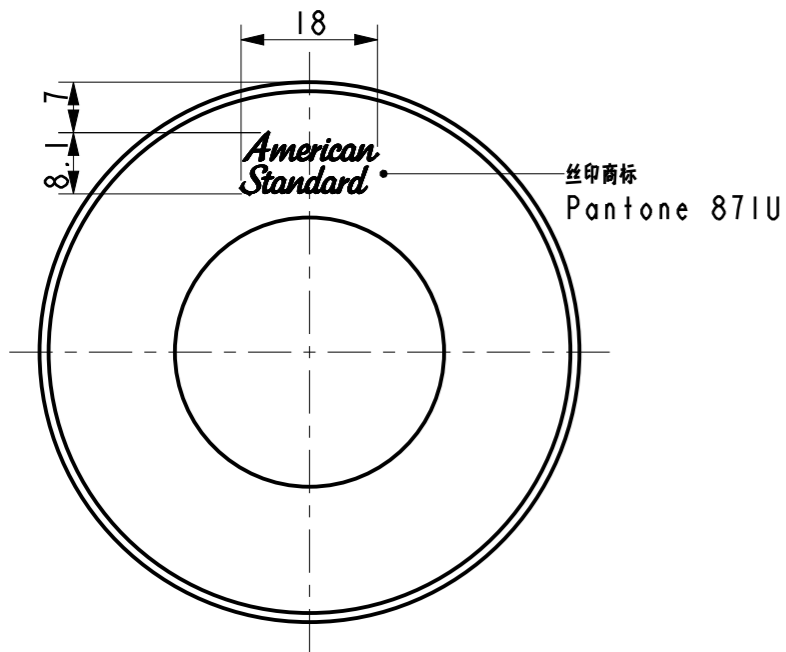


Tolerance, Unless Otherwise Stated, Is			
Above	0.5 to and including	6	±0.1
Excess	6 to and including	30	±0.2
Excess	30 to and including	120	±0.3
Excess	120 to and including	315	±0.5
Excess	315 to and including	1000	±0.8
Excess	1000 to and including	2000	±1.2



技术要求:

1. 防滑纹处要有防滑纹。
2. 整体光滑, 无毛刺。
3. 印美标Logo。

7	FF1-CN521Z9Z940607	膨胀套	8	NYLON	长度40mm配合孔为c8
6	FF1-CN521Z9Z940606	自攻螺钉	8	SUS304	GB/T846 ST5.5X50
5	FF1-CN521Z9Z940605	可调花洒座组件	1	组件	
4	FF1-CN521Z9Z940604	固定座	2	SUS304	带内六角
3	FF1-CN521Z9Z940603	固定座面盖	1	NYLON	
2	FF1-CN521Z9Z940602	固定座面盖	1	NYLON	丝印商标
1	FF1-CN521Z9Z940601	I型扶手	1	NYLON	
序号	物料代码	名称及描述	数量	材料	备注

DESIGNED		TITLE	ARMREST C608&C610	
CHECKED		REF		
APPROVED			CF-9406.000.04\淋浴扶手(C608+C610)	
SCALE	MATERIAL	WEIGHT	DWG NO.	American Standard
			FFAS9406-000040BC0	

REV	DESCRIPTION	DATE	NAME