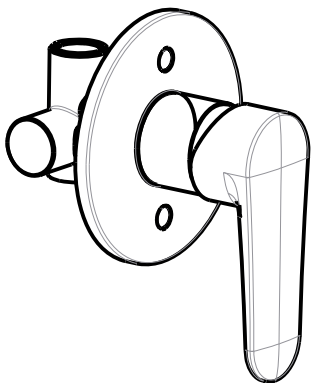
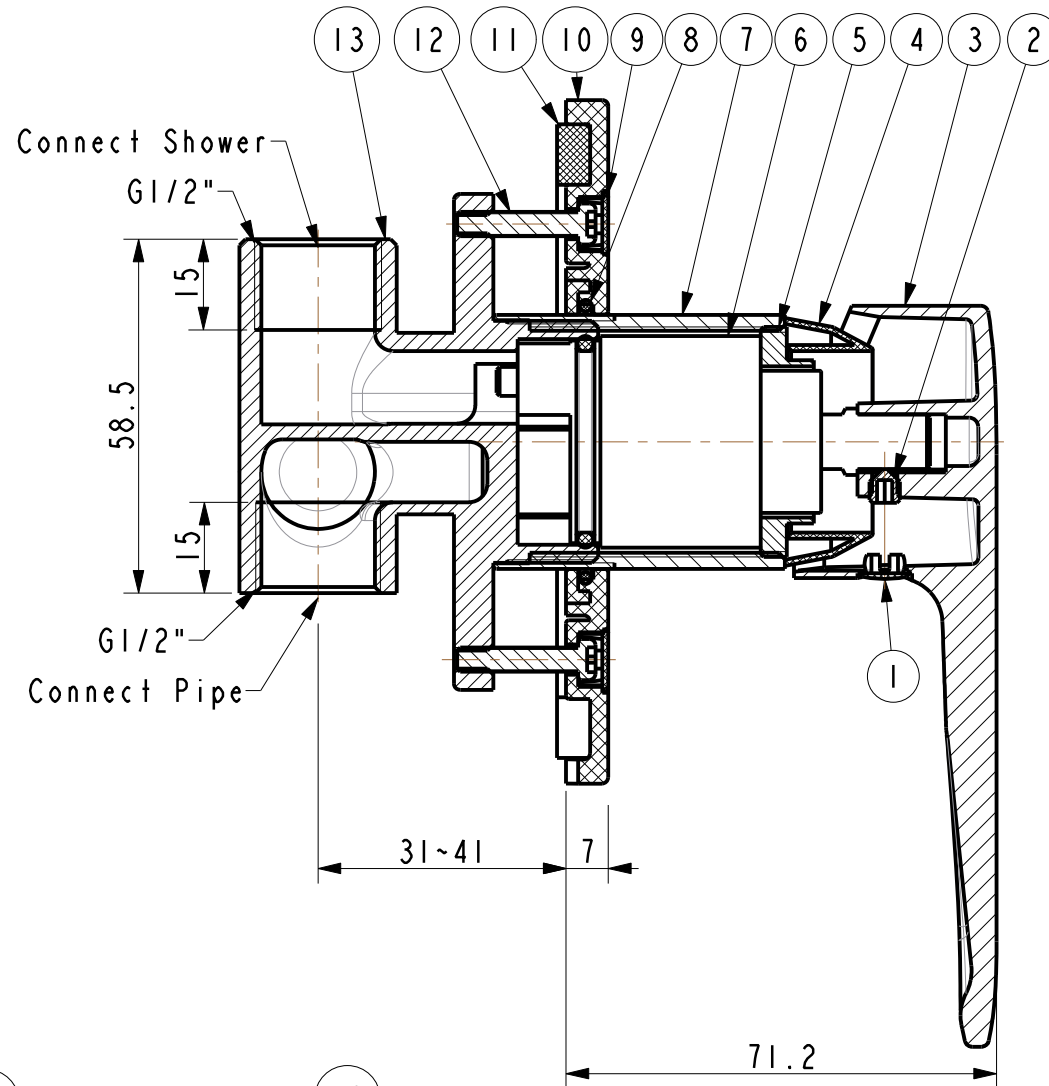
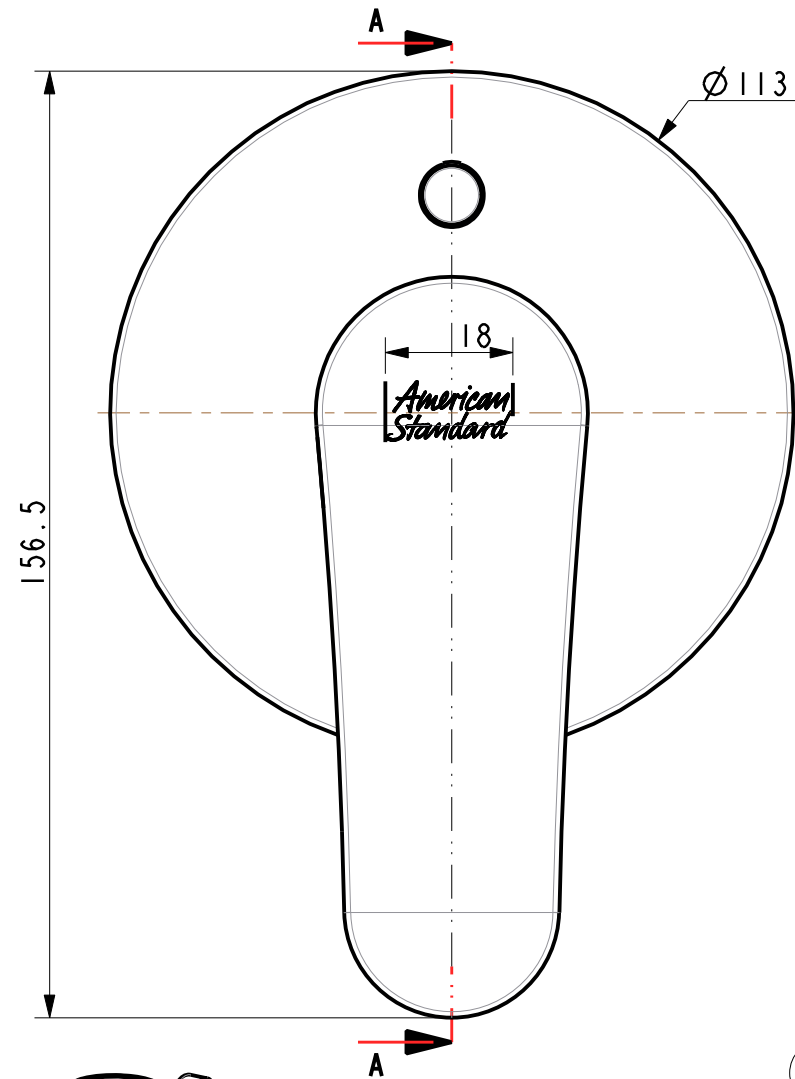
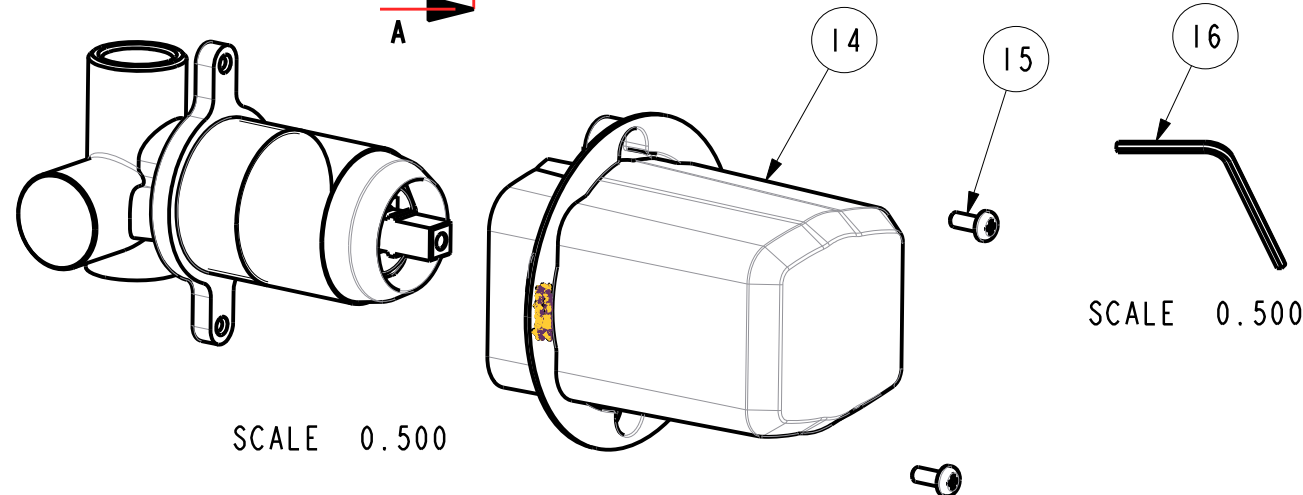


Tolerance, Unless Otherwise Stated, Is			
Above	0.5 to and including	6	±0.1
Excess	6 to and including	30	±0.2
Excess	30 to and including	120	±0.3
Excess	120 to and including	315	±0.5
Excess	315 to and including	1000	±0.8
Excess	1000 to and including	2000	±1.2



SCALE 0.300



NO.	PART NO.	NAME	QTY	MATERIAL	REMARK
1	FF1-CN521Z00004950	Plug for handle (Chrome)	1	ABS	
2	FF1-CN521N00000228	Screw	1	SUS304	
3	FF1-CN521L00002550	Handle For Single Mono Faucet	1	ZZnAl4-1	
4	FF1-CN521F00000034	Cartridge Cover for Sgl HoleFT	1	ABS	
5	FF1-CN521N00000091	Lock Nut for Minimalistic InWall Bathn	1	HPb59-1	
6	FF1-CN521C00001399	C35G-1 Cartridge	1	Assembly	
7	FF1-CN521J00000485	Agate In-Wall Valve Brass Cover	1	HPb59-1	
8	FF1-CN521G00000125	O-ring	1	NBR	
9	FF1-CN521F00000244	Escutcheon Cap For Acacia I/W (607676)	2	ABS	
10	FF1-CN521F00000080	1580782050\Round Shape Inwall Escutcheon	1	ABS	
11	FF1-CN521K00000901	Spongy Washer	1	E.V.A	
12	FF1-CN521N00000268	Screw (M4X20)	2	SUS304	
13	FFZZ2916-7T950ZDMC	1580038899.MC\Body For Onyx Built-In Col	1	GkMs60Fk	
14	FF1-CN521Z00000212	Protect Cover For Inwall Shower Only(47#)	1	PP	
15	FF1-CN521N00000194	2002 Screw (Zinc)	2	SUS430	
16	FF1-CN521Z00000254	In-Hex Wrench for H01 Mixer	1	Q-235-A	

DESIGNED		TITLE	Simplica Concealed Shower Mono Valve
CHECKED		REF	Simplica Concealed Shower Mono
APPROVED		DWG NO.	
SCALE	MATERIAL	WEIGHT	
4:5	Assembly		

REV	DESCRIPTION	DATE	NAME

