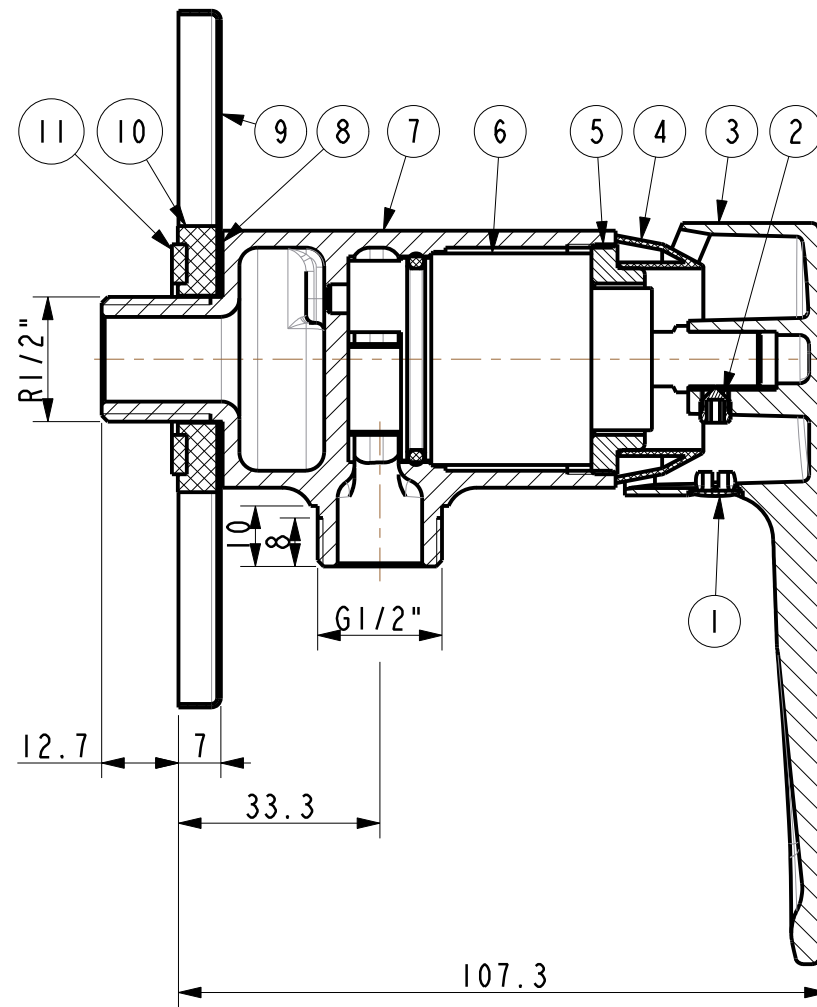
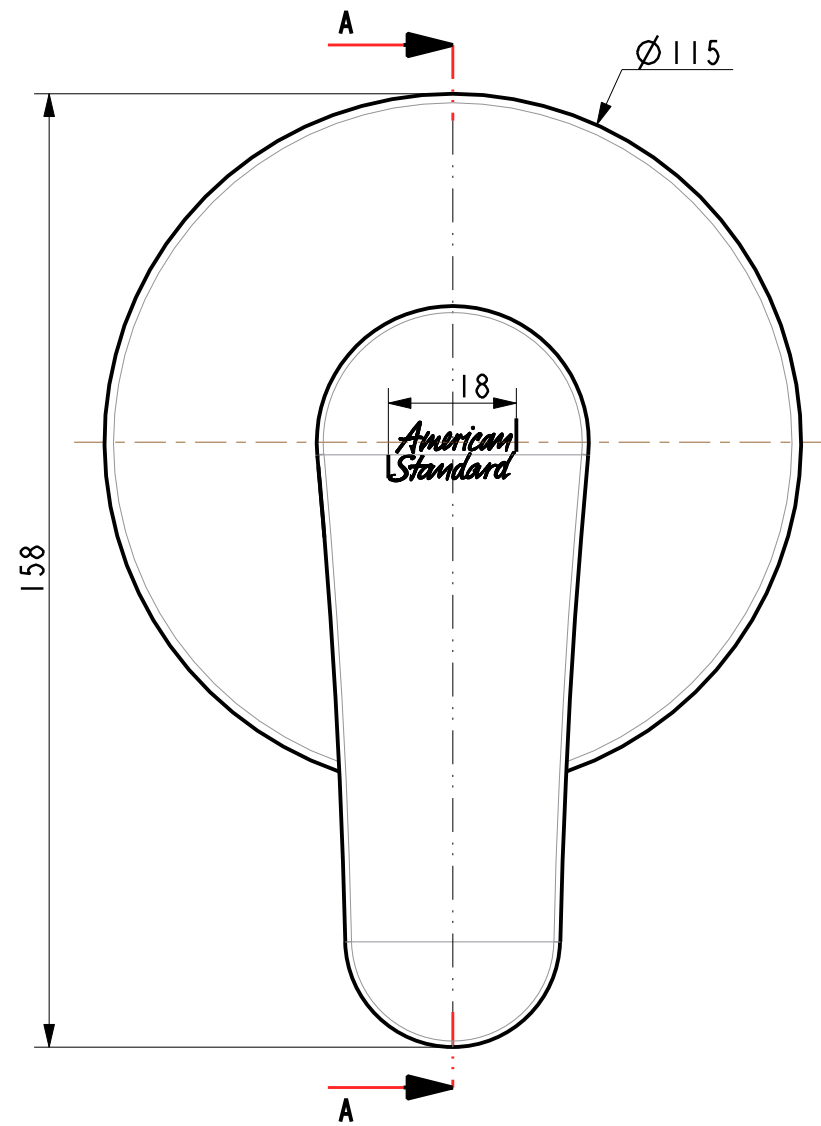


Tolerance, Unless Otherwise Stated, Is			
Above	0.5 to and including	6	±0.1
Excess	6 to and including	30	±0.2
Excess	30 to and including	120	±0.3
Excess	120 to and including	315	±0.5
Excess	315 to and including	1000	±0.8
Excess	1000 to and including	2000	±1.2



SECTION A-A

NO.	PART NO.	NAME	QTY	MATERIAL	REMARK
1	FF1-CN521Z00004950	Plug for handle (Chrome)	1	ABS	
2	FF1-CN521N00000228	Screw	1	SUS304	
3	FF1-CN521L000002550	Handle For Single Mono Faucet	1	ZZnAl4-1	
4	FF1-CN521F00000034	Cartridge Cover for Sgl HoleFT	1	ABS	
5	FF1-CN521N00000091	Lock Nut for Minimalistic InWall Bathn	1	HPb59-1	
6	FF1-CN521C00001399	C35G-1 Cartridge	1	Assembly	
7	FFZZ0726-70150BDPL	1580038750\Body For Onyx Mono Shower	1	GkMs60Fk	
8	FF1-CN521G00000203	1581387399\Washer(Clarify)	1	PVC	
9	FF1-CN521F00000163	1581084250\Escutcheon For Seva Inwall Mo	1	H62	
10	FF1-CN521G00000202	1581387299\Washer(PA66)	1	PA66	
11	FF1-CN521G00000033	Flat Washer 38* 25*2.5	1	NBR	

DESIGNED			TITLE	Simplicia Exposed Shower Mono
CHECKED			REF	
APPROVED				
SCALE	MATERIAL	WEIGHT	DWG NO.	
4:5	Assembly			

REV	DESCRIPTION	DATE	NAME

American Standard