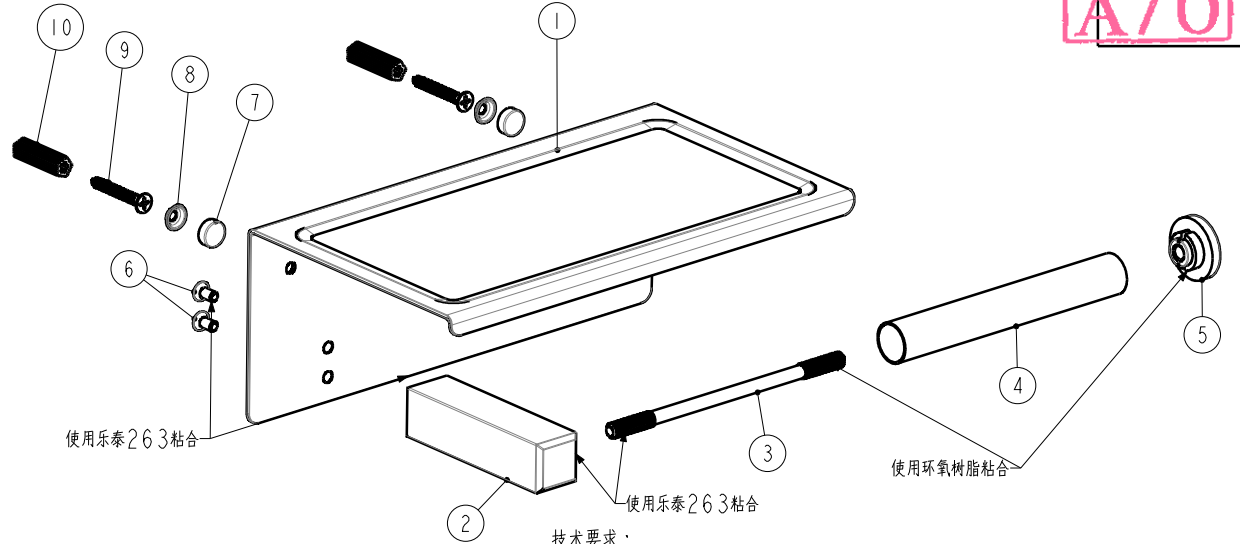
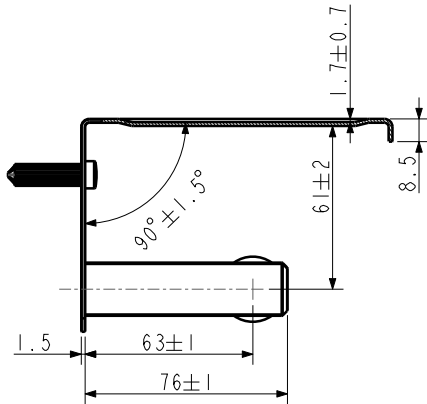
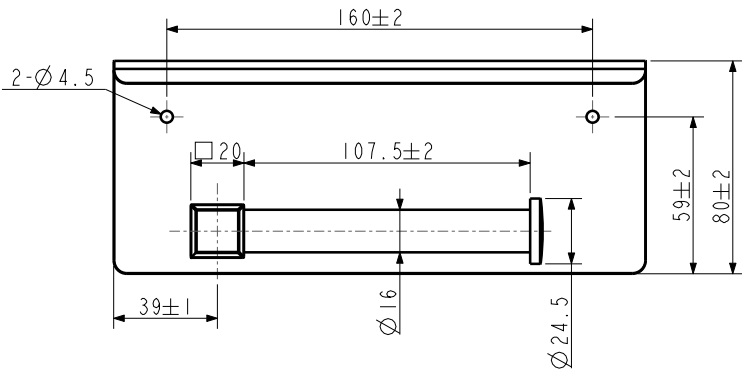
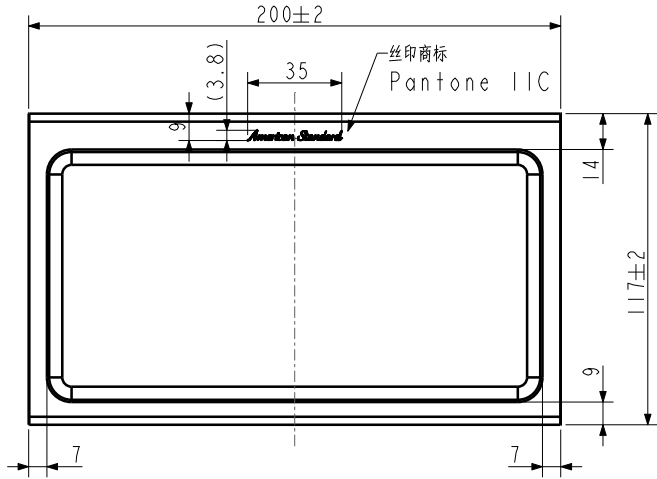


Tolerance, Unless Otherwise Stated, Is		
Above 0.5 to and including 6	±0.1	6
Excess 6 to and including 30	±0.2	30
Excess 30 to and including 120	±0.3	120
Excess 120 to and including 315	±0.5	315
Excess 315 to and including 1000	±0.8	1000
Excess 1000 to and including 2000	±1.2	2000



技术要求:

- "★"为重要尺寸
- 棱边倒钝,不能有锐边;
- 置物板承受5Kg静载荷5min后,各部件无松动、无明显变形;
- 其它符合内控标准《W110.3204-浴室配件(卫生间附属配件_通用)》;
- 产品采用珍珠棉袋包装,膨胀套和螺钉配件采用密封袋包装;
- 产品背面右下角粘贴生产日期标签;
- 内盒为黑色彩盒,内附说明书,在内盒左侧粘贴产品标签。

1	FF1-CN521F00168GLS	0498置物纸巾架_喜悦金	SUS304	1	
2	FF1-CN521B00055GLX	0498支杆_喜悦金	ZZnAl4-1	1	
4	FF1-CN521Z00242GLB	0498手柄杆_喜悦金	SUS201	1	
5	FF1-CN521Z00243GLP	0498手柄挂钮_喜悦金	BRASS	1	
7	FF1-CN521F00169GLS	0498φ10装饰盖_喜悦金	SUS304	2	
3					
6					
8	FF1-CN521Z0024499S	0498余下配件	组件	1	
9					
10					
序号	产品描述	数量	材料	数量	备注

DESIGNED	利华沐	2023.12.19	TITLE	
CHECKED	张	2023.12.19	REF	
APPROVED	张	2023.12.19	概念方单纸巾架(带置物板)_喜悦金	
SCALE	MATERIAL	WEIGHT	DWG NO.	American Standard
1:2	组件		FFAS0498-908GLOBFO	

REV	DESCRIPTION	DATE	NAME