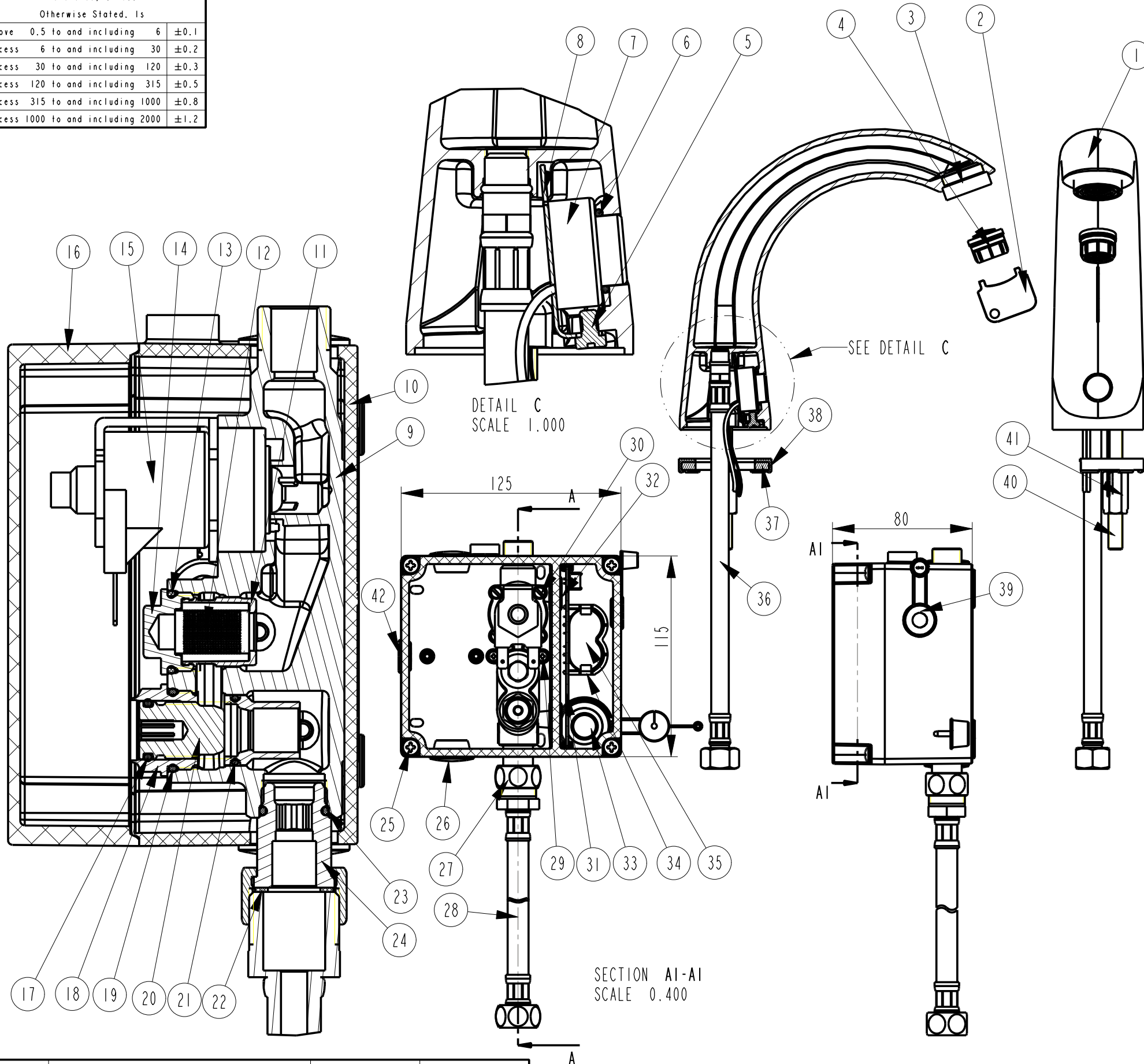


Tolerance, Unless Otherwise Stated, Is			
Above	0.5 to and including	6	±0.1
Excess	6 to and including	30	±0.2
Excess	30 to and including	120	±0.3
Excess	120 to and including	315	±0.5
Excess	315 to and including	1000	±0.8
Excess	1000 to and including	2000	±1.2



42	158A922252	CABLE GUIDE	PC	1	EPDM	
41	158A906102	NUT	PC	1	BRASS	
40	158A917243	SHANK	PC	1	BRASS	
39	158A922267	CABLE GUIDE	PC	1	EPDM	
38	159A911942	GASLET	PC	1	NBR	
37	158A923271	C-WASHER	PC	1		
36	158A923672	HOSE	PC	1		
35	158A923654	BATTERY	PC	1		
34	158A922248	BATTERY BOX	PC	1	POM	
33	158A922290	GROMMET	PC	1	EPDM	
32	158A922272	GROMMET	PC	1	EPDM	
31	158A950486	PC BOARD /DC	PC	1		
30	158A918462	SCERW M4X6	PC	4	S.S	
29	158A918753	SCERW	PC	2	S.S	
28	1582002799	HOSE	PC	1		
27	158A904826	NUT	PC	1	BRASS	
26	158A923237	CAP	PC	2		
25	158A918549	SCERW	PC	4	S.S	
24	158A904726	SCERW	PC	1	S.S	
23	158A912633	O RING 12.42X1.78	PC	1	NBR	
22	158A913202	WASHER Φ18*Φ12*1	PC	1	NBR	
21	158A912658	O RING 14.8X1.5	PC	1	NBR	
20	158A903868	CHECK VALVE STEM	PC	1	BRASS	
19	158A912644	O RING 15.6X1.78	PC	1	NBR	
18	158A911529	CHECK VALVE HOUSING	PC	1		
17	158A912631	O RING 9.25X1.78	PC	1	NBR	
16	158A922246	BOX COVER	PC	1		
15	158A954481	SOLENOID VALVE	PC	1		
14	158A906165	HEAD NUT	PC	1	BRASS	
13	158A912644	O RING 15.6X1.78	PC	1	NBR	
12	158A910510	FILTET SCREEN	PC	1		
11	158A922238	FILTET SCREEN HOUSING	PC	1	BRASS	
10	158A922245	CONRTOL BOX	PC	1		
9	158A901325	BODY(VAVY)	PC	1	BRASS	
8	158A915603	CLAMP	PC	1		
7	158A950223	CELEC SENSOR	PC	1		
6	158A912644	O RING 15.6*1.78	PC	1	NBR	
5	158A918462	SCERW M4X6	PC	1	S.S	
4	158M922873	1.5 GPM PCA VP MALE AERATOR	PC	1		
3	158M923827	2.2 GPM PCA VP MALE AERATOR	PC	1		
2	158US12037	VANDAL KEY	PC	1		
1	158A901859	SPOUT	PC	1	BRASS	

ITEM	PART.NO.	DESCRIPTION	UNIT	QTY	MATERIAL	REMARK
DESIGNED						TITLE CASTED SPOUT DC VERSION
CHECKED						REF
APPROVED						
SCALE	MATERIAL	WEIGHT	DWG NO.			
			CF-8805.000.50			

REV	DESCRIPTION	DATE	NAME

