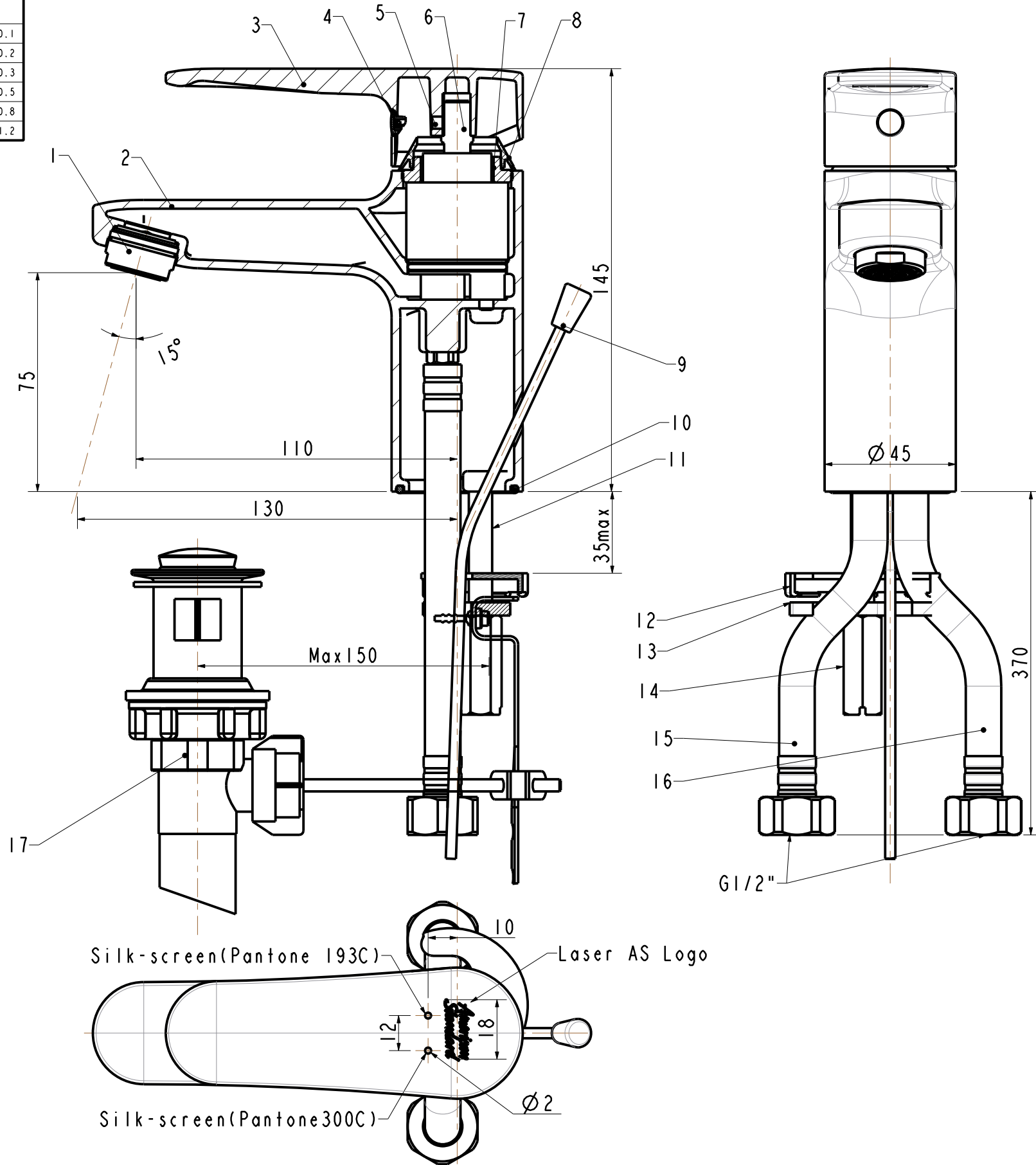


Tolerance, Unless Otherwise Stated, Is			
Above 0.5 to and including 6	±0.1		
Excess 6 to and including 30	±0.2		
Excess 30 to and including 120	±0.3		
Excess 120 to and including 315	±0.5		
Excess 315 to and including 1000	±0.8		
Excess 1000 to and including 2000	±1.2		



18	FF1-CN521Z00000254	In-Hex Wrench for H01 Mixer	Q235	1	
17	FF1-CN521X0018599P	Plastic Drain(Ru 1Type)	Assembly	1	
16	FF1-CN521T00000018	The Flexible Pipe for Tonic ASKI Sin	Assembly	1	
15	FF1-CN521T00000017	The Flexible Pipe for Tonic ASKI Sin	Assembly	1	
14	FF1-CN521N00000073	Improve GNV Sgl Hole FT LockNutNutNu	HPb59-1	1	
13	FF1-CN521J00000432	Iron Plate A923271 (BVBA)	Q235	1	
12	FF1-CN521G00000238	Gasket (A911942)	NBR	1	
11	FF1-CN521Z00000438	MOUNTING STUD-SF1520, N	SUS304	1	
10	FF1-CN521G00000159	1581220699\O-Ring 37*2.5	NBR	1	
9	FF1-CN521Z00000300	Lift Rod for Neo Modern	Assembly	1	
8	FF1-CN521F00000042	Cover For Cartridge	ABS	1	
7	FF1-CN521N00000091	Lock Nut for Minimalistic InWall Bat	HPb59-1	1	
6	FF1-CN521C00001399	C35G-1 Cartridge	Assembly	1	
5	FF1-CN521N00000228	Screw	SUS304	1	
4	FF1-CN521Z00000086	Index Button for TONIC Fitting line	ABS	1	
3	FF1-CN521L00000197	Handle For A51 Single Hole Lava Fauc	ZZnAl4-1	1	
2	FFZZ0021-0000550PL	Body For Simplicia Single Hole Lava F	GkMs60FK	1	
1	FF1-CN521A00000043	Aerator	Assembly	1	
NO.	Part NO.	Name	material	QTY	Remark

DESIGNED			TITLE
CHECKED			REF
APPROVED			Simplicia Basin Mixer with Pop-up Drain
SCALE	MATERIAL	WEIGHT	DWG NO.
3:5	Assembly		

REV	DESCRIPTION	DATE	NAME

*American Standard*