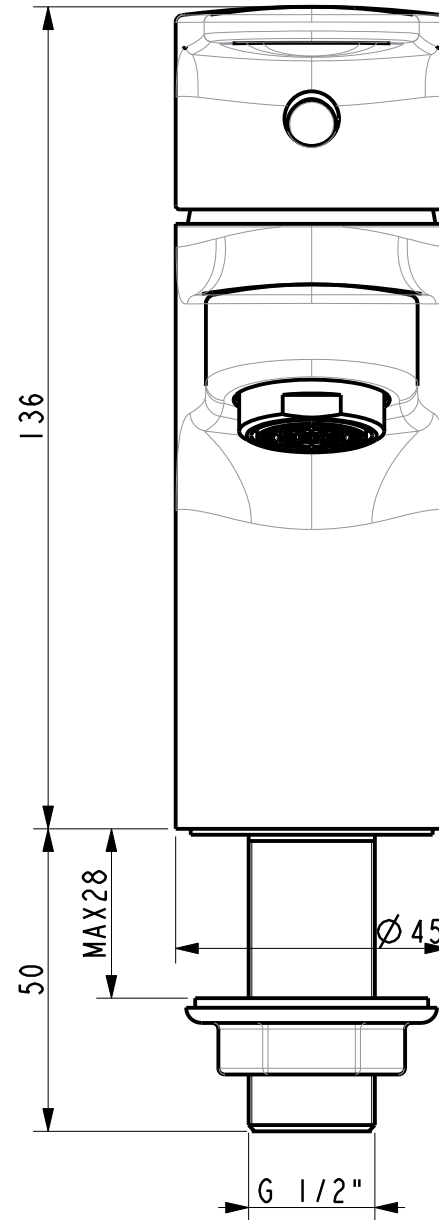
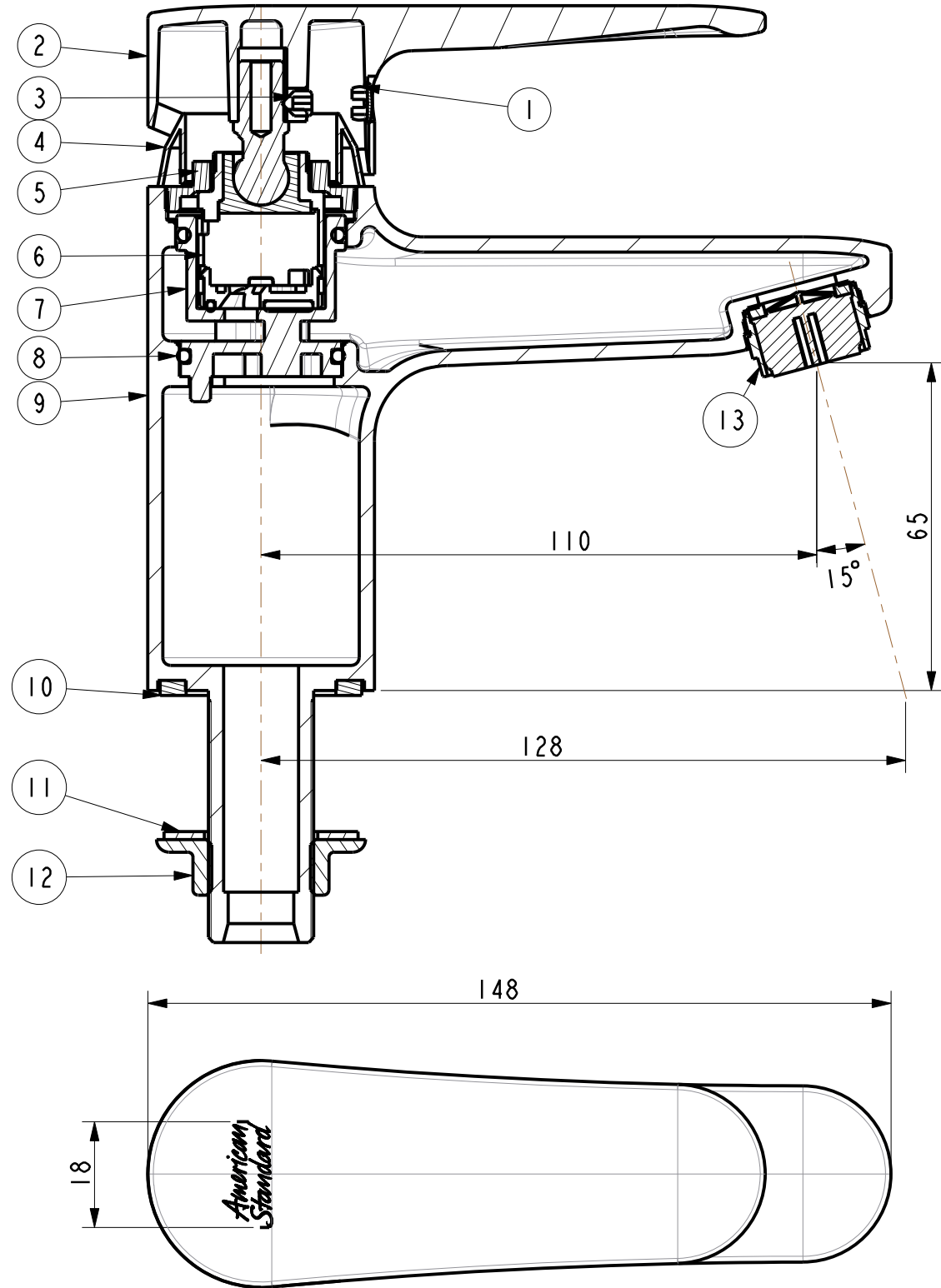


Tolerance, Unless Otherwise Stated, Is			
Above	0.5 to and including	6	±0.1
Excess	6 to and including	30	±0.2
Excess	30 to and including	120	±0.3
Excess	120 to and including	315	±0.5
Excess	315 to and including	1000	±0.8
Excess	1000 to and including	2000	±1.2



NO.	Part NO.	Part Name	QTY	Material	Remark
1	FF1-CN521Z00004950	Plug for handle (Chrome)	1	ABS	
2	FF1-CN521L00002550	Handle For Single Mono Faucet	1	ZZnAl4-1	
3	FF1-CN521N00000228	Screw	1	SUS304	
4	FF1-CN521F00000034	Cartridge Cover for Sgl HoleFT	1	ABS	
5	FF1-CN521N00000091	Lock Nut for Minimalistic InWall Bathn	1	HPb59-1	
6	FF1-CN521C00000011	25# Cartridge	1	Assembly	
7	FF1-CN521J00008799	Manifold	1	PPO	
8	FF1-CN521G00000259	158A912654\O RING(23.5*2.62)	1	NBR	
9	FF1-CN521L00002550	Handle For Single Mono Faucet	1	GkMs60Fk	
10	FF1-CN521G00000037	Flat Washer 40*29.7*3	1	NBR	
11	FF1-CN521G00000074	1581184744\Washer 38.5* 22.5*1.6	1	NBR	
12	FF1-CN521N00002399	G1/2" Fixing Nut	1	ABS	
13	FF1-CN521A00000043	Neoperl Aerator (For Thailand Market)	1	Assembly	

DESIGNED		TITLE	Simplica Basin Mono	
CHECKED		REF	Simplica Basin Mono	
APPROVED		DWG NO.		
SCALE	MATERIAL	WEIGHT		
4:5	Assembly		<i>American Standard</i>	

REV	DESCRIPTION	DATE	NAME