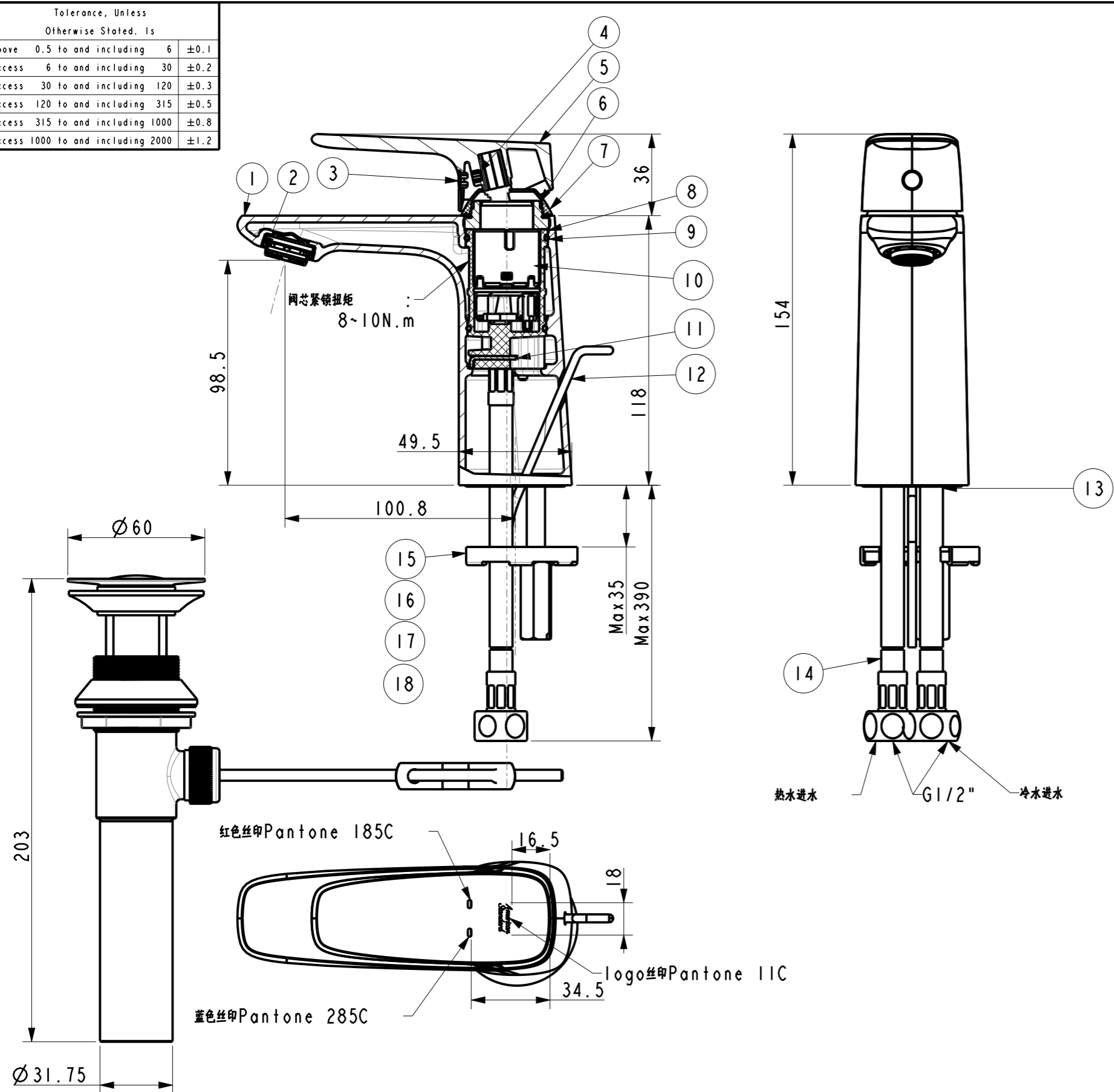


Tolerance, Unless Otherwise Stated, Is				
Above	0.5 to and including	6	±0.1	
Excess	6 to and including	30	±0.2	
Excess	30 to and including	120	±0.3	
Excess	120 to and including	315	±0.5	
Excess	315 to and including	1000	±0.8	
Excess	1000 to and including	2000	±1.2	



技术要求:

1. 移印美标商标图案 位置如图示。字长18mm, 颜色pantone冷灰色11C
2. 颜色零件符合《W110.0575_PVD外观检验标准》
3. 产品符合W110.0504、W110.0507和GB18145
4. 移印符合《W110.4810_移印检验标准》

序号	零件编号	零件名称	数量	材料	备注
19	FF1-CN521X000043DA	PA型全铜提拉排杆_温暖金	1	组件	PVD
18	FF1-CN521N00000073	1580660999\改进行GNV单体紧固螺帽	1	Hpb59-1	
17	FF1-CN521J00000432	158A923271\马蹄铁 A923271 (BVBA)	1	Q235	
16	FF1-CN521G00000238	158A911942\US感应龙头紧固橡胶垫	1	NBR	
15	FF1-CN521Z00000438	1591724099\螺杆-SF1520,完成品	1	组件	
14	FF1-CN521T0002399P	卡扣式进水软管 (红)	1	组件	
13	FF1-CN521T0002499P	卡扣式进水软管 (蓝)	1	组件	
12	FF1-CN521J00158DAS	1701提拉杆_温暖金	1	SUS304	PVD
11	FF1-CN521Z0011799S	卡扣式进水软管卡环	1	SUS304	
10	FF1-CN521C0002399P	G28高脚阀芯(408554840)	1	组件	
9	FF1-CN521G00000359	1591272099\O型圈-28+2,完成品	2	NBR	
8	FF1-CN521F0008899P	G28阀芯底座 (400456131)	1	GkMs60Fk	镀铬
7	FF1-CN521F00073DAP	28mm阀芯顶盖_温暖金	1	ABS	PVD
6	FF1-CN521N0005499B	28mm阀芯锁紧螺母	1	Hpb59-1	
5	FF1-CN521L00064DAX	1701单孔脸盆龙头把手_温暖金	1	SUS304	PVD
4	FF1-CN521N00000228	158A917376\希丽亚台面浴缸缸内六方把手螺钉M5*6	1	ABS	镀铬
3	FF1-CN521Z000049DA	把手孔塞_温暖金	1	ABS	PVD
2	FF1-CN521A0002299P	M24X1 SLIM Air HC PCA起泡器 (1.5gpm,40835601)	1	组件	
1	FFZZ0021-002335LDA	1701单孔脸盆龙头本体 (低铅铜)_温暖金	1	低铅铜	PVD

DESIGNED	利华斌	20240618	TITLE	Signature Single Hole Basin Mixer_DA0
CHECKED	[Signature]	2024.06.18	REF	
APPROVED	[Signature]	2024.6.18.	纤格单孔面盆龙头带去水器_温暖金	
SCALE	MATERIAL	WEIGHT	DWG NO.	American Standard
1:2			FFAS1701-101DA0BF0	

REV	DESCRIPTION	DATE	NAME