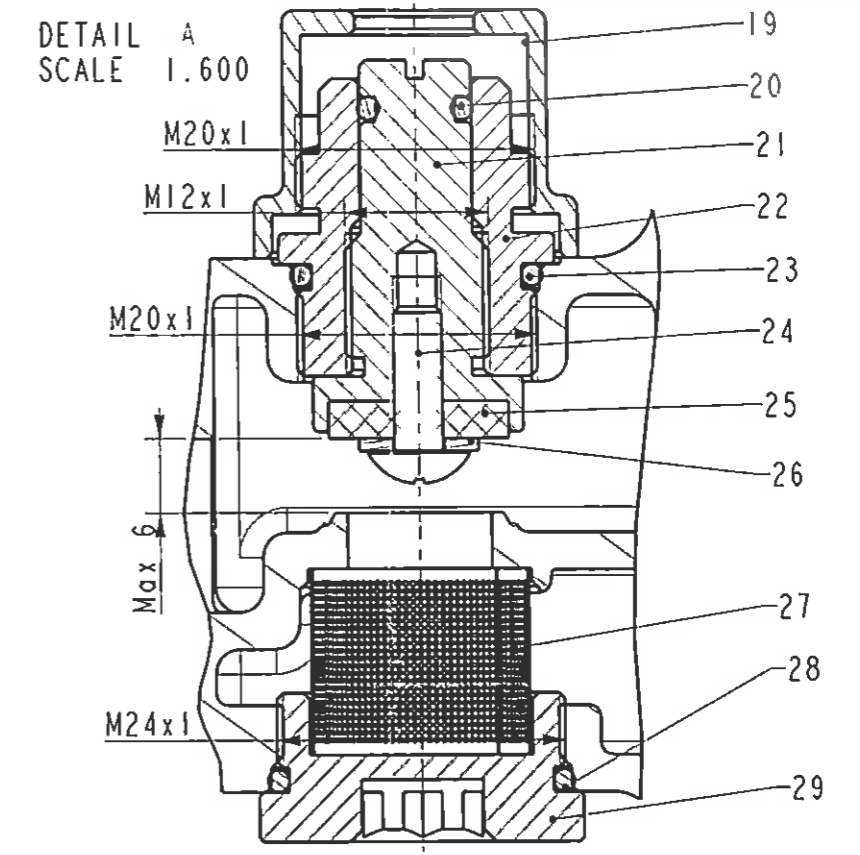
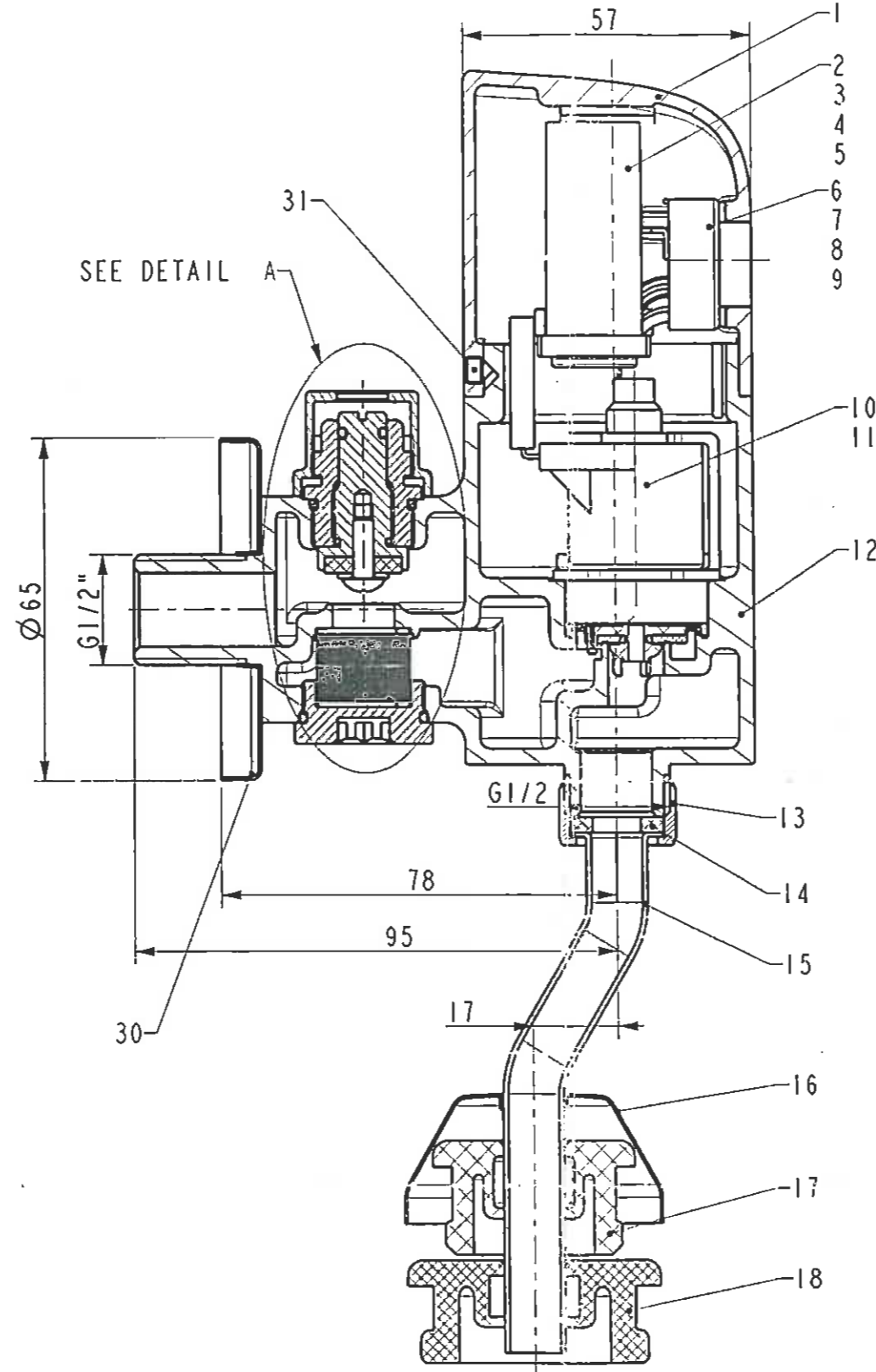
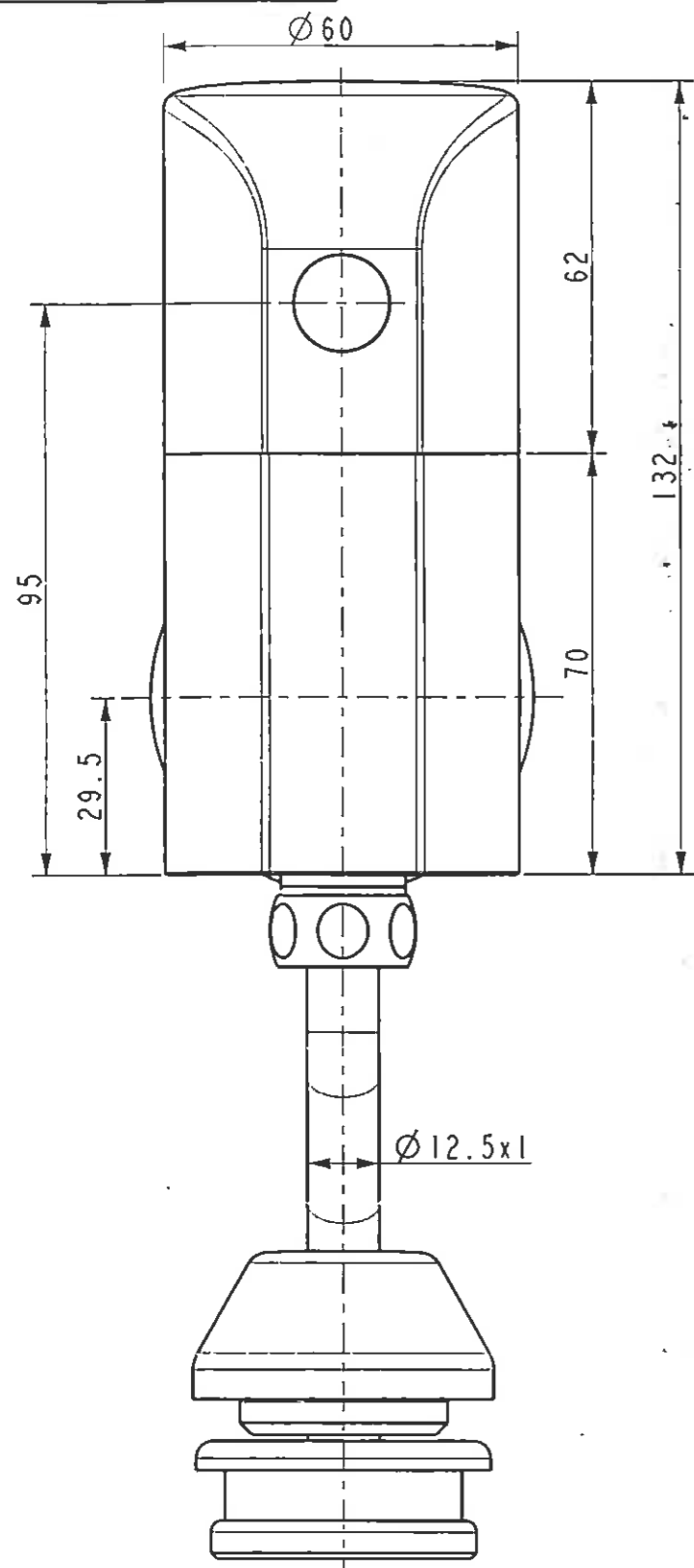


2010年3月10日

Tolerance, Unless Otherwise Stated, Is		
Above 0.5 to and including 6	±0.1	
Excess 6 to and including 30	±0.2	
Excess 30 to and including 120	±0.3	
Excess 120 to and including 315	±0.5	
Excess 315 to and including 1000	±0.8	
Excess 1000 to and including 2000	±1.2	



A70

31	15818398F3	阿卡西亚单孔脸盆出水口锁紧螺钉	SUS304	1	
30	1581082650	挂墙式感应小便冲洗阀装饰盖	H62	1	抛光镀铬
29	1581082850	挂墙式感应小便冲洗阀过滤网盖	HPb59-1	1	抛光镀铬
28	158A912655	O型圈 20.35*1.78	NBR70	1	
27	1581050099	Entrv Level 过滤网	SUS304	1	
26	1581441099	A型小便器按钮铜垫 ?10*4.3*1	H62	1	
25	1581174199	平垫片15*3*3	NBR70	1	
24	1581741199	一体式感应冲洗阀U管锁紧螺钉 M4X12	SUS304	1	
23	158A912644	O型圈 15.6*1.78	NBR70	1	
22	1580304099	挂墙式感应小便冲洗阀截止阀座	HPb59-1	1	
21	1580401999	挂墙式感应小便冲洗阀截止阀杆	HPb59-1	1	
20	1581210999	O型圈 6*1.85	NBR70	1	
19	1581082750	挂墙式感应小便冲洗阀截止阀装饰盖	HPb59-1	1	抛光镀铬
18	1581181199	一体式感应冲洗阀出水管垫片	NBR70	1	
17	1581182399	小便冲洗阀密封圈 32孔	NBR70	1	
16	1580804550	入墙式感应小便阀孔罩	H62	1	抛光镀铬
15	1581938150	挂墙式感应小便冲洗阀出水弯管	H65	1	抛光镀铬
14	1581181499	平垫片18.5*9.3*3	NBR70	1	
13	1580482850	潘乐牛角联接螺母 镀铬	HPb59-1	1	抛光镀铬
12	1580035550	挂墙式感应小便冲洗阀本体	GkMs60Fk	1	抛光镀铬
11	158A918462	螺钉 M4*6 (A918462)	SUS304	4	
10	158A954481	电磁阀 (A954481NU)	成品	1	
9	158A950223	史莱克感应头组件 (A950223)	成品	1	
8	1581212799	O型圈 13.5*1.5	NBR70	1	
7	1581520599	挂墙感应大便冲洗阀感应头压片	SUS201	1	
6	158A918462	螺钉 M4*6 (A918462)	SUS304	2	
5	1582382199	维可牢魔术环	成品	0.05	
4	1582382099	维可牢魔术扣	成品	0.05	
3	1582405899	锂电池 (劲霸129)	成品	2	
2	1582442799	锂电池盒组件	成品	1	
1	1582252150	挂墙式感应小便冲洗阀上盖	GkMs60Fk	1	抛光镀铬

DESIGNED	<i>[Signature]</i>	2009.11.27	TITLE	Exposed Sensor Urinal Flush Valve
CHECKED	<i>[Signature]</i>	09.11.27	REF	挂墙式感应小便冲洗阀
APPROVED	<i>[Signature]</i>	2009.11.27	DWG NO.	CF-88314.000.50
SCALE	MATERIAL	WEIGHT	American Standard	
4:5	Assembly			

REV	DESCRIPTION	DATE	NAME