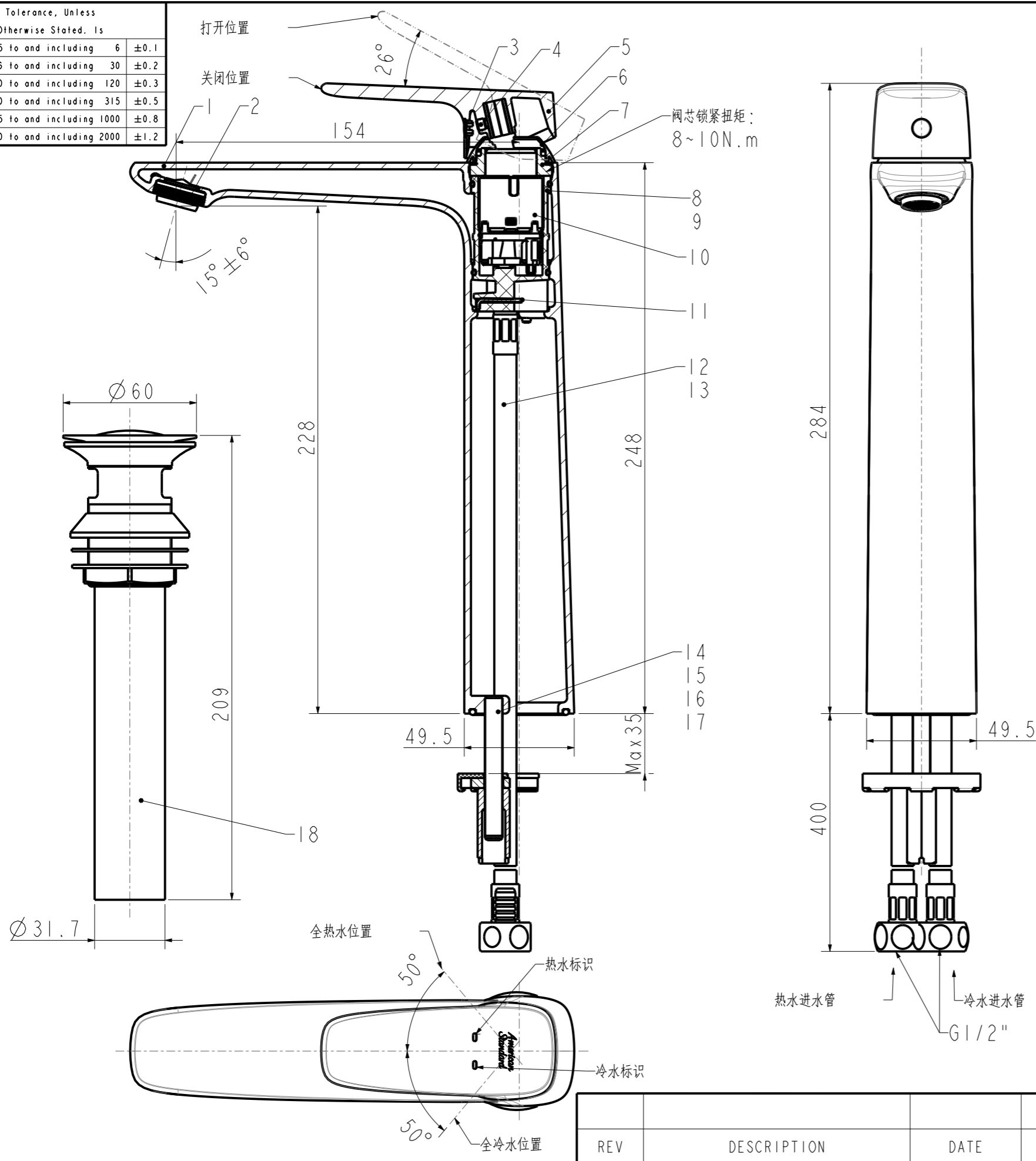


2024年6月19日
A/O

SCALE 0.600

Tolerance, Unless Otherwise Stated, Is			
Above 0.5 to and including 6	±0.1	6	±0.1
Excess 6 to and including 30	±0.2	30	±0.2
Excess 30 to and including 120	±0.3	120	±0.3
Excess 120 to and including 315	±0.5	315	±0.5
Excess 315 to and including 1000	±0.8	1000	±0.8
Excess 1000 to and including 2000	±1.2	2000	±1.2



红色丝印 Pantone 185C

丝印美标LOGO
Pantone Cool Gray11C

蓝色丝印
Pantone 285C

技术要求:

1. 移印美标商标图案 位置如图示。字长18mm, 颜色pantone冷灰色11C
2. 颜色零件符合《W110.0575_PVD外观检验标准》
3. 移印符合《W110.4810_移印检验标准》
4. 产品符合GB18145、W110.0504和W110.0507的要求。

No.	Code	Name and Description	Qty	Material	Remark
18	FF1-CN521X00197DAB	PA型全铜手压排杆(带溢水口)-温暖金	1	组件	PVD
17	FF1-CN521N00000073	1580660999\改进行GNV单体紧固螺帽	1	HPb59-1	
16	FF1-CN521J00000432	158A923271\马蹄铁 A923271 (BWBA)	1	Q235	
15	FF1-CN521G00000238	158A911942\US感应龙头紧固橡胶垫(A911942)	1	NBR	
14	FF1-CN521Z00000438	1591724099\螺杆-SF1520, 完成品	1	SUS304	
13	FF1-CN521T0002599P	卡扣式进水软管(红)(L=600mm)	1	Part	
12	FF1-CN521T0002699P	卡扣式进水软管(蓝)(L=600mm)	1	Part	
11	FF1-CN521Z0011799S	卡扣式进水软管卡环	1	SUS304	
10	FF1-CN521C0002399P	G28高脚阀芯(408554840)	1	Part	
9	FF1-CN521G00000359	1591272099\O型圈-28*2, 完成品	2	NBR	
8	FF1-CN521F0008899P	G28阀芯底座(400456131)	1	FPO	
7	FF1-CN521F00073DAP	28mm阀芯顶盖-温暖金	1	ABS	PVD
6	FF1-CN521N0005499B	28mm阀芯锁紧螺母	1	HPb59-1	
5	FF1-CN521L00064DAX	1701单孔脸盆龙头把手-温暖金	1	ZZnA14-1	PVD
4	FF1-CN521Z000049DA	把手孔塞-温暖金	1	ABS	PVD
3	FF1-CN521N00000228	158A917376\希丽亚台面浴缸内六方把手螺钉M5*6	1	SUS304	
2	FF1-CN521A0001799P	M24X1 SLIM Air可调角度起泡器 1.5GPM(40805601002)	1	组件	
1	FFZ20021-002345LDA	1702单孔高脚碗盆龙头本体(低铅铜)-温暖金	1	低铅铜	PVD

DESIGNED	利华沃	20240618	TITLE
CHECKED	孙华	2024.06.18	Signature Single Hole Extended Basin_DAO
APPROVED	孙华	2024.6.18	REF
SCALE	MATERIAL	WEIGHT	DWG NO.
1:2	Assembly		FFAS1702-101DA0BF0

American Standard

REV	DESCRIPTION	DATE	NAME