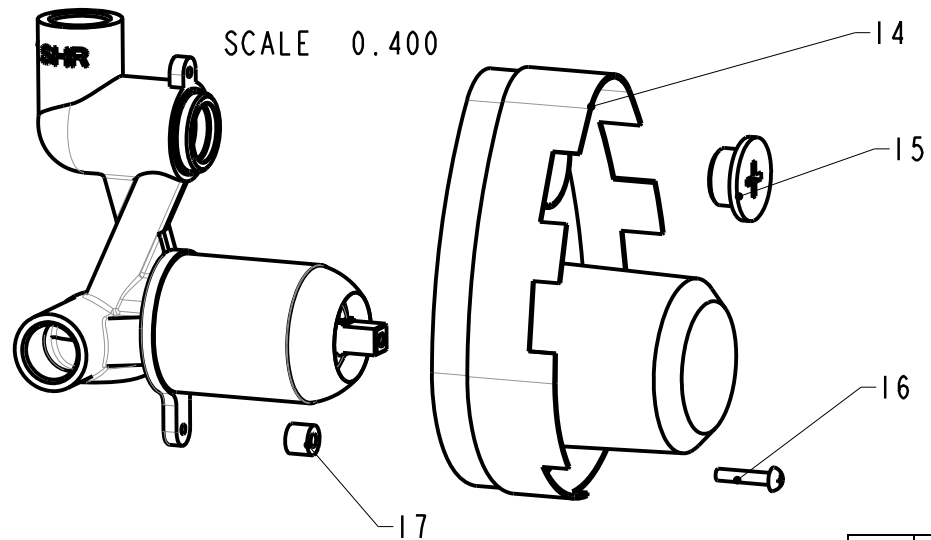
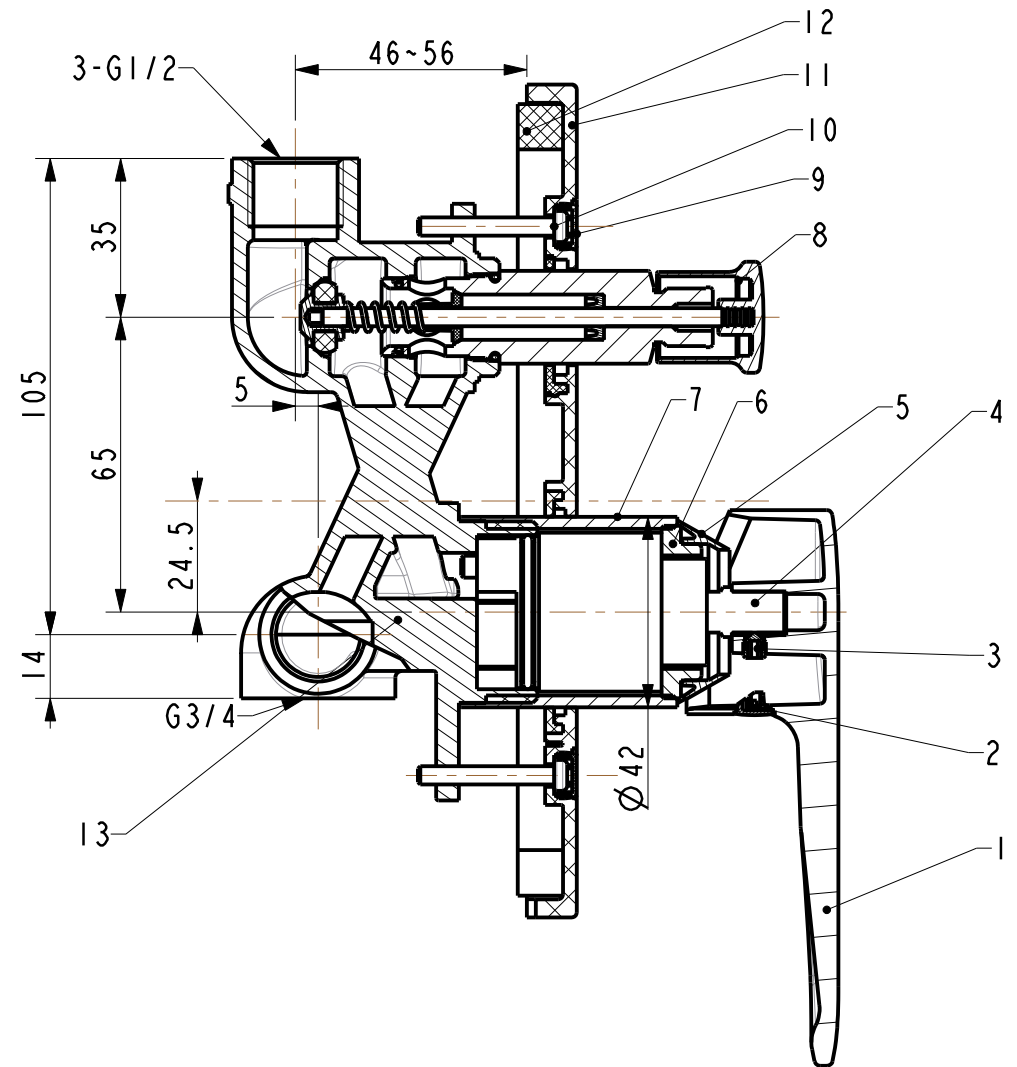
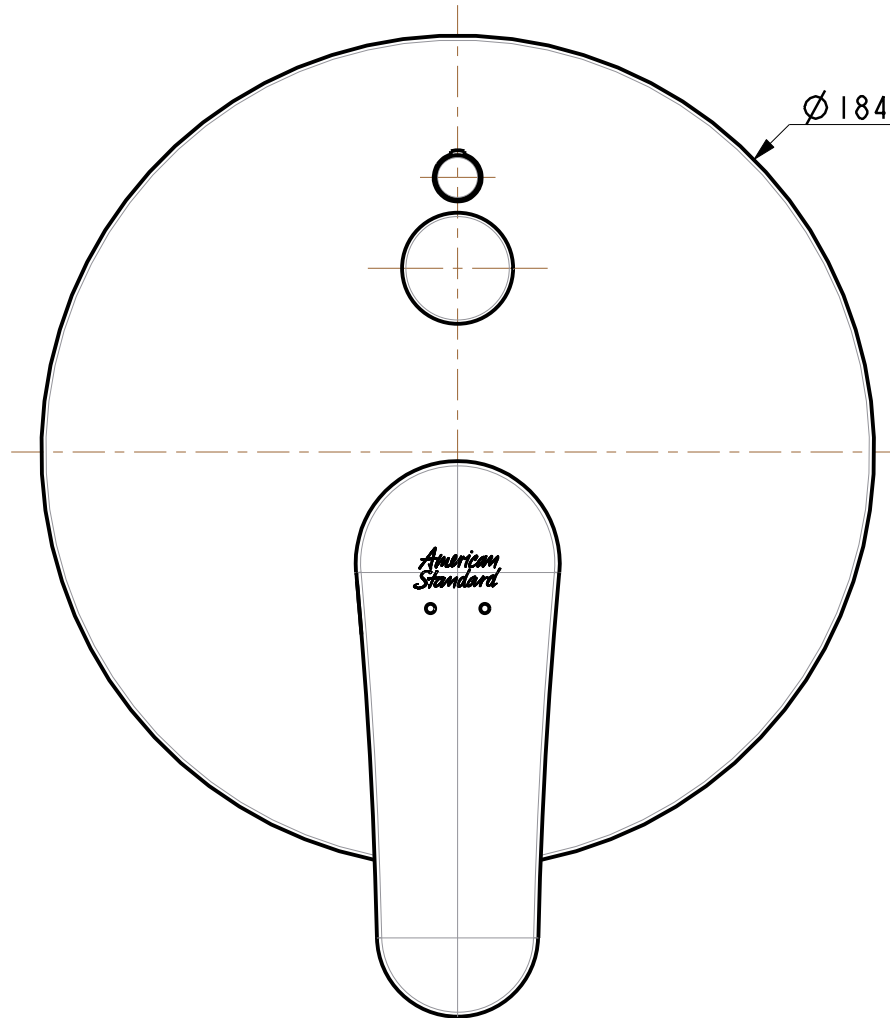


Tolerance, Unless Otherwise Stated, Is			
Above	0.5 to and including	6	±0.1
Excess	6 to and including	30	±0.2
Excess	30 to and including	120	±0.3
Excess	120 to and including	315	±0.5
Excess	315 to and including	1000	±0.8
Excess	1000 to and including	2000	±1.2



NO.	Part NO.	Part Name	QTY	Material	Remark
8	FF1-CN521J00000535	Handle For The Reversing Funtion	1	HPb59-1	
	FF1-CN521X00000077	CYLINDRICAL PIN Assembly	1	Part	
	FF1-CN521J00000537	DELIVERY HOUSING,Cr	1	HPb59-1	
	FF1-CN521G00000354	U-PACKING	1	NBR70	
	FF1-CN521G00000257	O-Ring15.6*1.78(A912644)(BLATTnCO GM	1	NBR70	
	FF1-CN521Z00000441	GUIDE	1	POM	
	FF1-CN521G00000113	O-Ring 13.5*1.5	1	NBR70	
	FF1-CN521Z00000178	Colony-s Diverter S/A Spring	1	SUS304	
7	FF1-CN521J00000485	Agate In-Wall Valve Brass Cover	1	HPb59-1	
	FF1-CN521N00000091	Lock Nut for Minimalistic InWall Bathn	1	HPb59-1	
5	FF1-CN521F00000042	Cover For cartridge	1	ABS	
4	FF1-CN521C00001399	C35G-1 Cartridge	1	Part	
3	FF1-CN521N00000184	Set Screw for Acacia Handle	1	SUS304	
2	FF1-CN521Z00000086	Index Button for TONIC Fitting line	1	ABS	
1	FF1-CN521L00000197	Handle For A51 Single Hole Lava Faucet	1	ZZnA14-1	

18	FF1-CN521Z00000254	In-Hex Wrench for H01 Mixer	1	Q235	
17	FF1-CN521J00000338	Bushing	1	PA66	
16	FF1-CN521N00000268	Screw (M4X20)	1	SUS304	
15	FF1-CN521Z00000107	Regent In-Wall Protect Cover(Blue)	1	PA	
14	FF1-CN521Z00000213	1582241099\Protect Cover for Inwall(47#)	1	PA	
13	FF1-CN521B00000052	158D60054R.MC\Body For Agate Inwall BnS(1	DZR	
12	FF1-CN521Z00000129	Idyll In-Wall Cell Foamed Plastic Washer	1	E. V. A	
11	FF1-CN521F00000139	Escutcheon for Neo Modern Concealed BS	1	ABS	
10	FF1-CN521N00000185	SCREW	2	SUS304	
9	FF1-CN521F00000244	Escutcheon Cap For Acacia I/W (607676)	2	ABS	

DESIGNED	CHECKED	APPROVED	SCALE	MATERIAL	WEIGHT	TITLE
			3:5	Assembly		REF Simplica Concealed Bath & Shower Mixer
						DWG NO.

REV	DESCRIPTION	DATE	NAME

