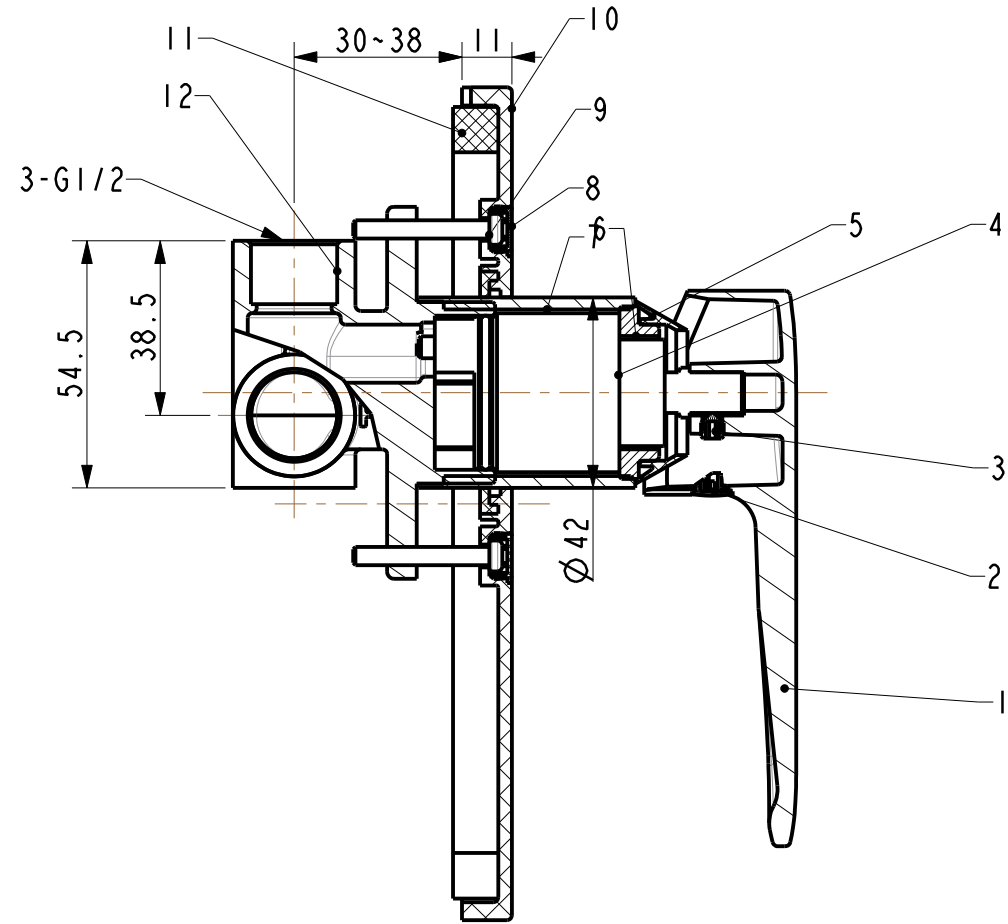
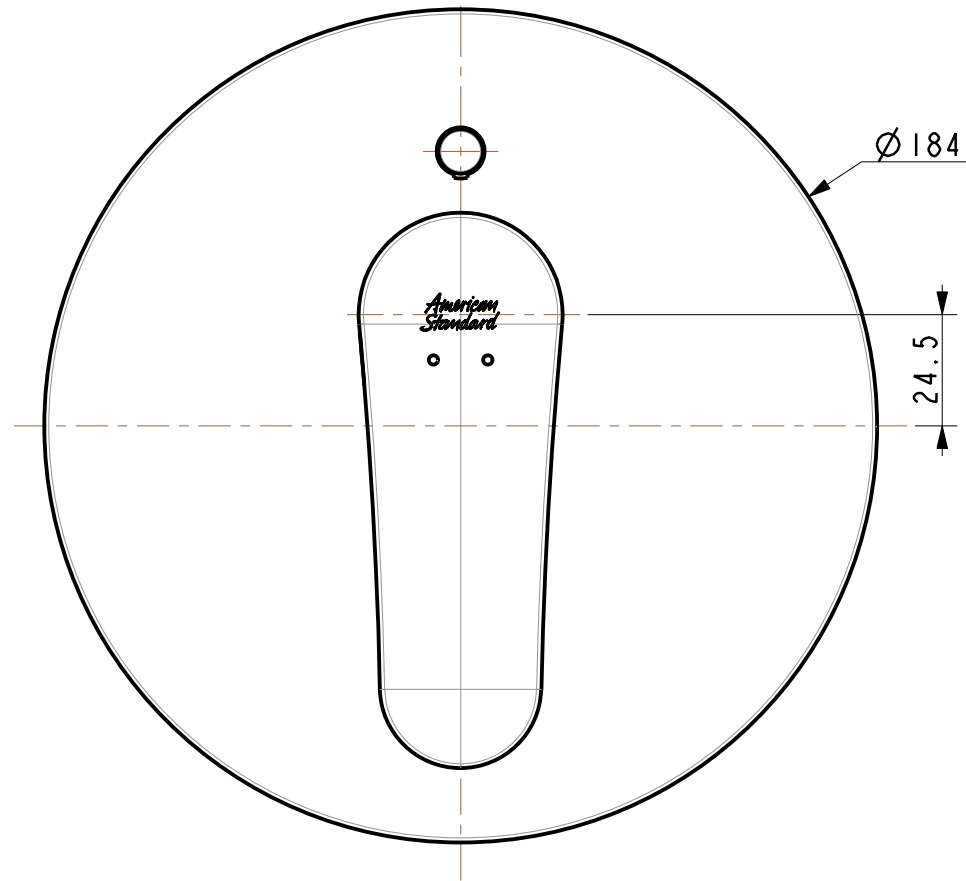
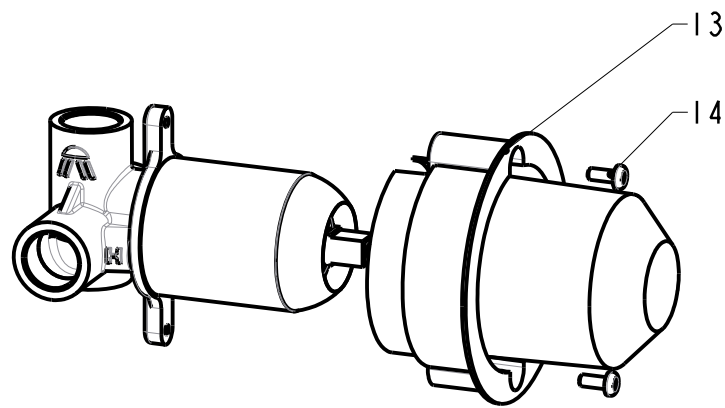


| Tolerance, Unless Otherwise Stated, Is | | | | |
|----------------------------------------|-----------------------|------|------|--|
| Above | 0.5 to and including | 6 | ±0.1 | |
| Excess | 6 to and including | 30 | ±0.2 | |
| Excess | 30 to and including | 120 | ±0.3 | |
| Excess | 120 to and including | 315 | ±0.5 | |
| Excess | 315 to and including | 1000 | ±0.8 | |
| Excess | 1000 to and including | 2000 | ±1.2 | |




SECTION A-A



SCALE 0.400

| 15 | FF1-CN521Z00000254 | In-Hex Wrench for H01 Mixer | 1 | Q235 | |
|-----|--------------------|------------------------------------------|-----|----------|--------|
| 14 | FF1-CN521N00000194 | 2002 Screw (Zinc) | 2 | SUS304 | |
| 13 | FF1-CN521Z00000218 | 15822419P4\2002 Protect Cover (Blue) | 1 | PA | |
| 12 | FF1-CN521B00000055 | 158D6005RZ.MC\Body For Agate Inwall Show | 1 | DZR | |
| 11 | FF1-CN521Z00000129 | Idyll In-Wall Cell Foamed Plastic Washer | 1 | EVA | |
| 10 | FF1-CN521F00000142 | Escutcheon for Neo Modern Concealed Show | 1 | ABS | |
| 9 | FF1-CN521N00000185 | SCREW | 2 | SUS304 | |
| 8 | FF1-CN521F00000244 | Escutcheon Cap For Acacia I/W (607676) | 2 | ABS | |
| 7 | FF1-CN521J00000485 | Agate In-Wall Valve Brass Cover | 1 | HPb59-1 | |
| 6 | FF1-CN521N00000091 | Lock Nut for Minimalistic InWall Bathn | 1 | HPb59-1 | |
| 5 | FF1-CN521F00000042 | Cover for Cartridge | 1 | ABS | |
| 4 | FF1-CN521C00001399 | C35G-1 Cartridge | 1 | Assembly | |
| 3 | FF1-CN521N00000184 | Set Screw for Acacia Handle | 1 | SUS304 | |
| 2 | FF1-CN521Z00000086 | Index Button for TONIC Fitting line | 1 | ABS | |
| 1 | FF1-CN521L00000197 | Handle For A51 Single Hole Lava Faucet | 1 | ZZnAl4-1 | |
| NO. | Part NO. | Part Name | QTY | Material | Remark |

| | | | | | |
|----------|----------|--------|---------------------------------------------------------------------------------------|--|--|
| DESIGNED | | | TITLE | | |
| CHECKED | | | REF | | |
| APPROVED | | | Simplica Concealed Shower Mixer | | |
| SCALE | MATERIAL | WEIGHT | DWG NO. | | |
| 3:5 | Assembly | |  | | |

| REV | DESCRIPTION | DATE | NAME |
|-----|-------------|------|------|
| | | | |