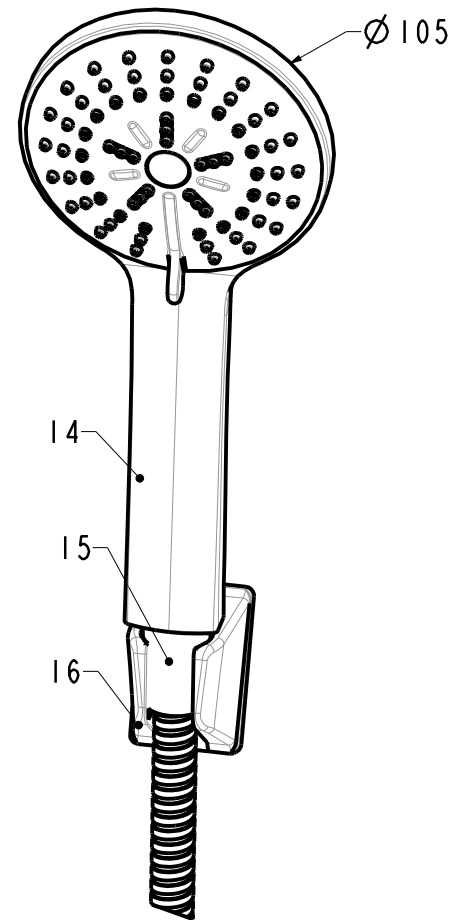
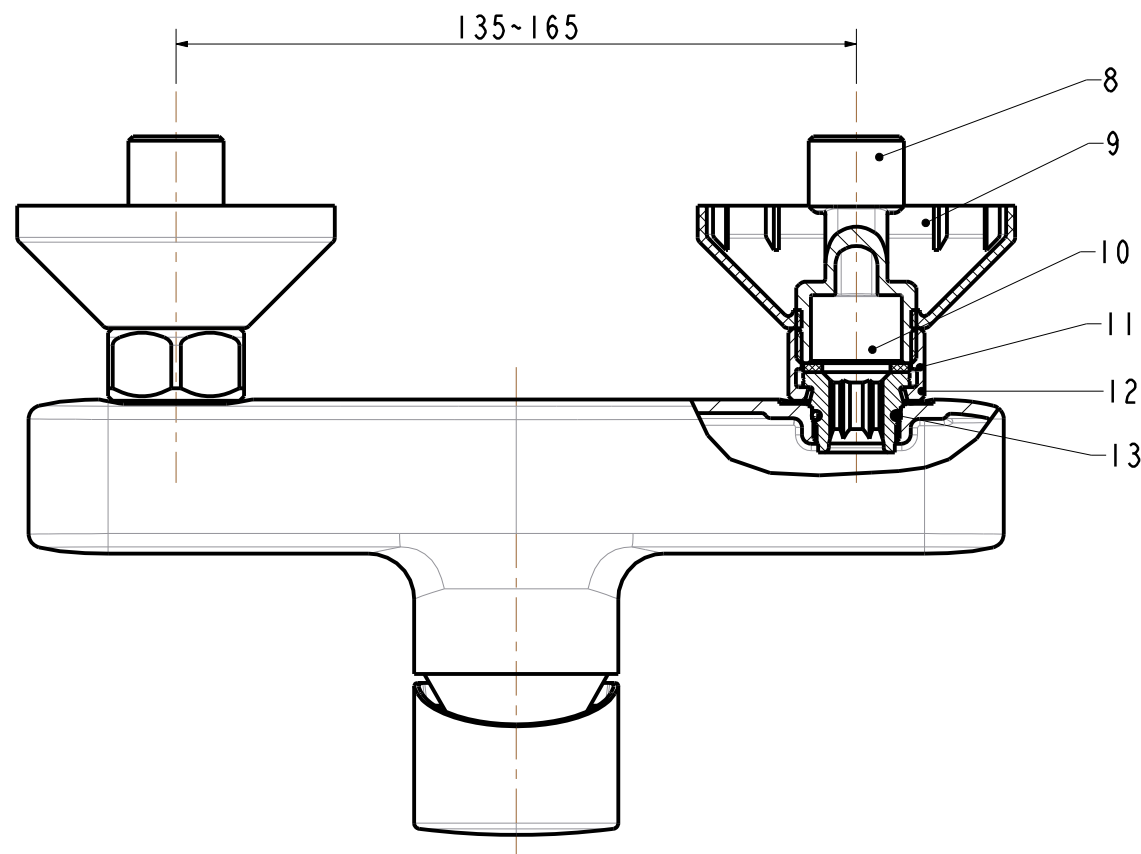
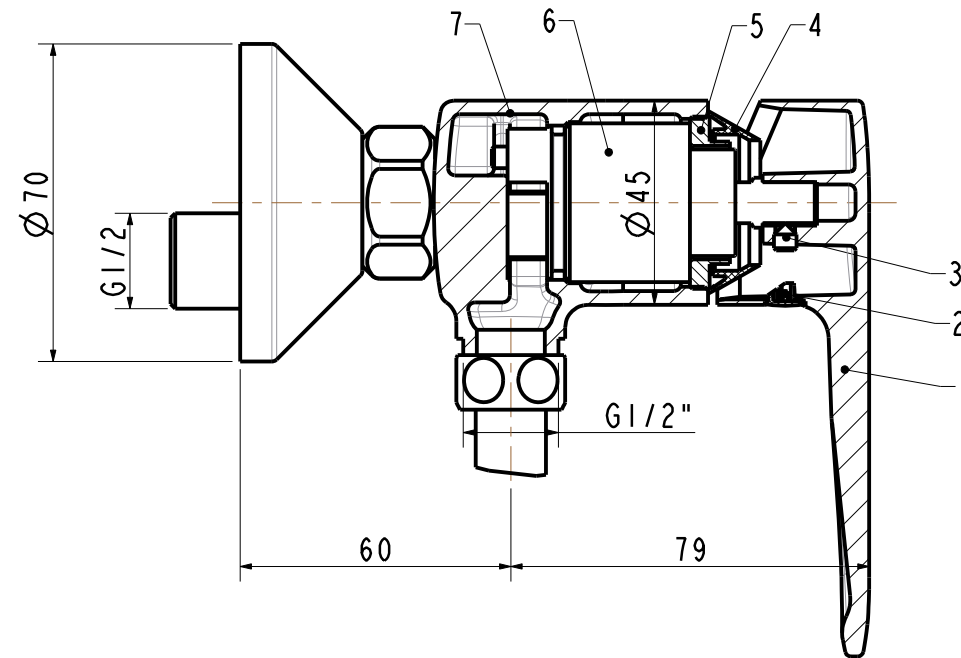
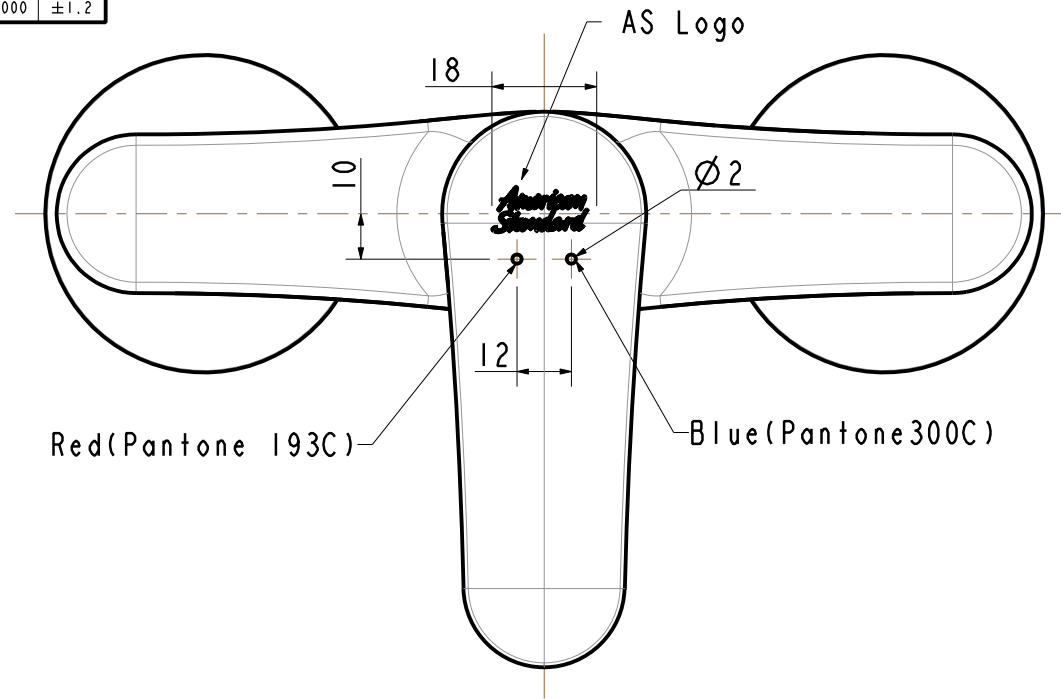


Tolerance, Unless Otherwise Stated, Is			
Above	0.5 to and including	6	±0.1
Excess	6 to and including	30	±0.2
Excess	30 to and including	120	±0.3
Excess	120 to and including	315	±0.5
Excess	315 to and including	1000	±0.8
Excess	1000 to and including	2000	±1.2



16	FF1-CN521H0000055	RG Shower Hanger Sgl Hole (Cr) T2	ABS	1	
15	FF1-CN521T0000025	Shower Hose(1.5M)	Assembly	1	
14	FF1-CN521H0000106	three function hand shower for A51(S1000	Assembly	1	
13	FF1-CN521G0000112	O-Ring 15.6*1.78	NBR	2	
12	FF1-CN521W0000048	THREADED NIPPLE,N	SUS304	2	
11	FF1-CN521G00000341	Washer Ø24*Ø15*2(A913204)	NBR	2	
10	FF1-CN521N00000291	NUT-G3/4inch,Cr	HPb59-1	2	
9	FF1-CN521F00000094	2000 Escutcheon(Cr)	ABS	2	
8	FF1-CN521J00000242	S-pipe	SUS304	2	
7	FFZZ0021-0000750PL	Body For Simplica Exposed Bath & Shower	GkMs60Fk	1	
6	FF1-CN521C00000041	Cartridge(N35HW)	Assembly	1	
5	FF1-CN521N00000091	Lock Nut for Minimalistic InWall Bathn	HPb59-1	1	
4	FF1-CN521F00000042	Cover For Cartridge	ABS	1	
3	FF1-CN521N00000228	Screw	SUS304	1	
2	FF1-CN521Z00000086	Index Button for TONIC Fitting line	ABS	1	
1	FF1-CN521L00000197	Handle For A51 Single Hole Lava Faucet	ZZnA14-1	1	
NO.	Part NO.	Part Name	Material	QTY	Remark

DESIGNED			TITLE
CHECKED			REF
APPROVED			Simplica Exposed Shower Mixer with Shower Kit
SCALE	MATERIAL	WEIGHT	DWG NO.
3:5	Assembly		

REV	DESCRIPTION	DATE	NAME

*American
Standard*