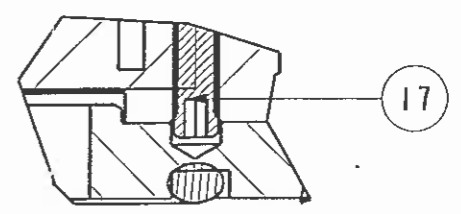
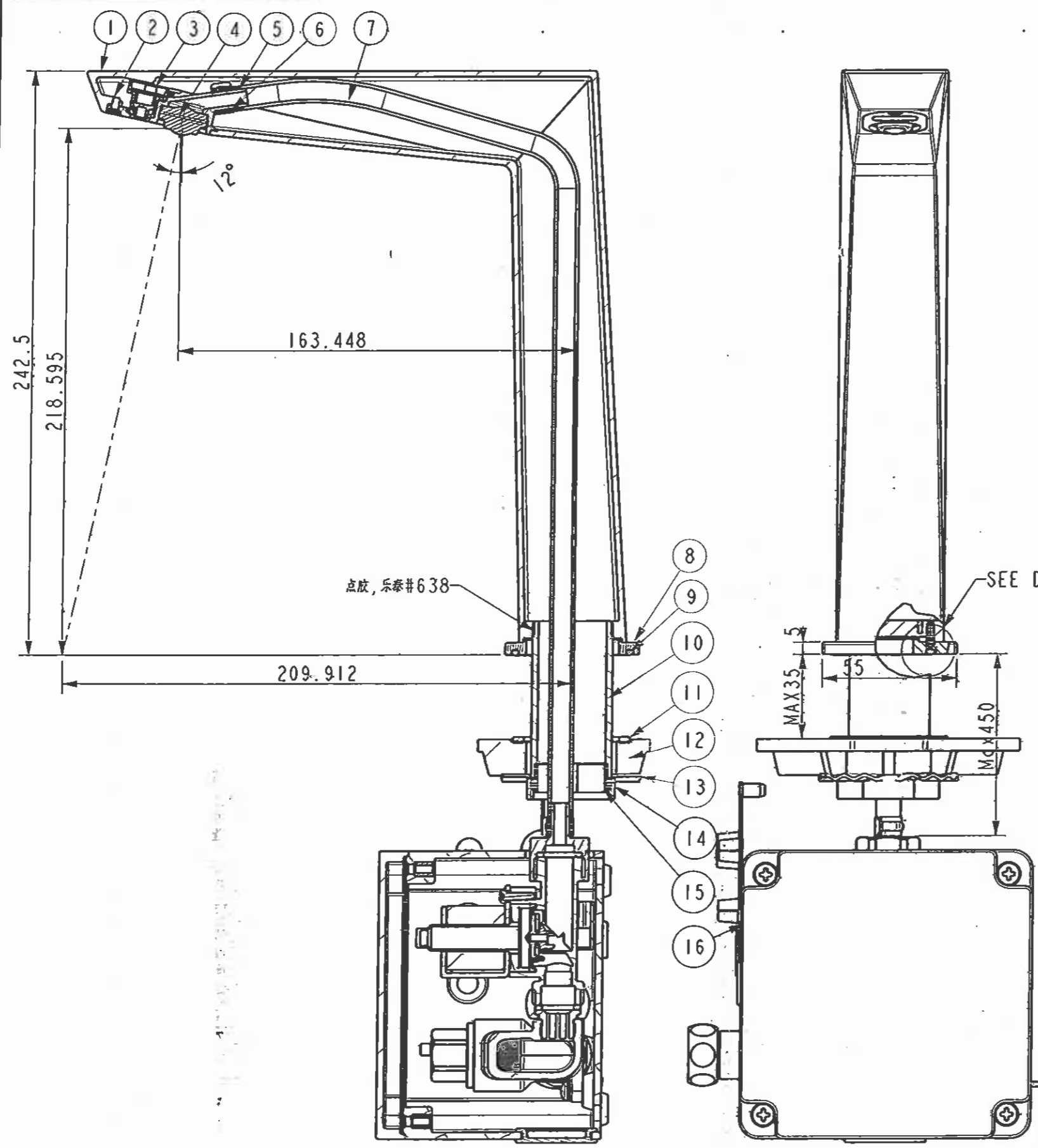


Tolerance, Unless Otherwise Stated, Is		
Above 0.5 to and including 6	±0.1	
Excess 6 to and including 30	±0.2	
Excess 30 to and including 120	±0.3	
Excess 120 to and including 315	±0.5	
Excess 315 to and including 1000	±0.8	
Excess 1000 to and including 2000	±1.2	



DETAIL A  
SCALE 2.000

序号	料号	名称	数量	材料	备注
17	1581836599	螺钉M3*8	1	SUS304	
16	1582444799/4899	控制盒组件 (直流/交流)	1	Assem	
15	1570830299	塑料套 完成品 (604195)	2	ABS	
14	1590664399	螺母 M33*1.5 &=9 完成品	1	HPb59-1	
13	158K614013	垫圈	1	SUS304	
12	1580771599	迈阿密高脚面盆水龙头紧固板 (606)	1	PA66	
11	1581174699	平垫片 248* 239*2.5	1	NBR	
10	158A921899	牙管 (A921899)	1	HPb59-1	
9	1581214099	O型圈 44.12*2.62	1	NBR	
8	1581186850	A37感应面盆龙头底部装饰垫圈	1	HPb59-1	抛光、镀铬
7	1582080399	PVC进水管	1	PVC	
6	1582407899	进水管卡环	1	Mn65	
5	1580306599	感应头固定座	1	POM	
4	1585006699	起泡器组件	1	Assem	
3	1582408199	感应头组件	1	Assem	
2	158K618277	迈阿密单孔面盆水龙头限位螺钉	1	SUS304	
1	1580052550	A37感应高脚面盆龙头本体	1	GkMs60Fk	抛光、镀铬

DESIGNED	<i>[Signature]</i>	2013.3.6	TITLE	
CHECKED	<i>[Signature]</i>	2013.02.06	REF	
APPROVED	<i>[Signature]</i>	2013.3.6	A37感应高脚面盆龙头 (方形)	
SCALE	MATERIAL	WEIGHT	DWG NO.	American Standard
1:2			Ch-810. A00 J0 Ch-810. D00.50	

REV	DESCRIPTION	DATE	NAME