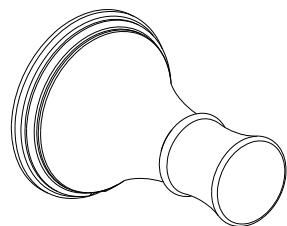
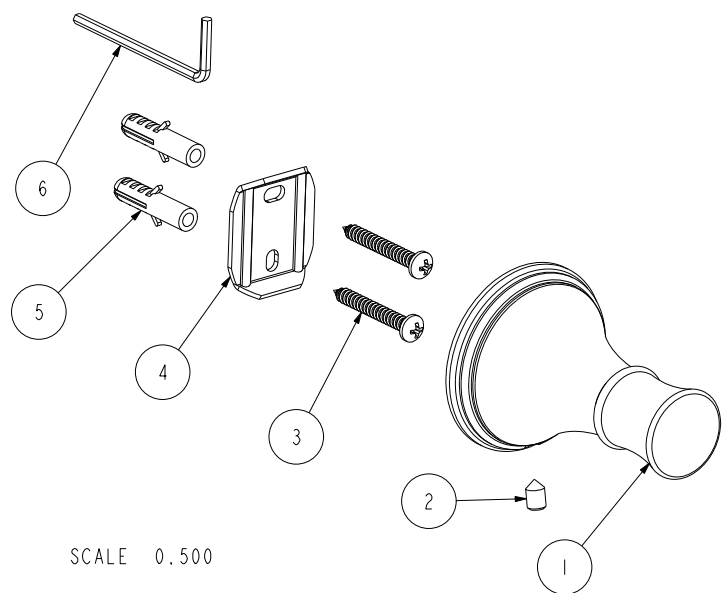


Tolerance, Unless Otherwise Stated, Is			
Above	0.5 to and including	6	±0.1
Excess	6 to and including	30	±0.2
Excess	30 to and including	120	±0.3
Excess	120 to and including	315	±0.5
Excess	315 to and including	1000	±0.8
Excess	1000 to and including	2000	±1.2



SCALE 0.500



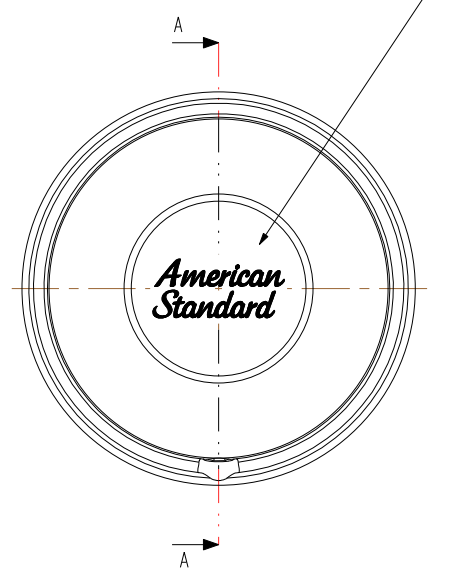
SCALE 0.500

技术要求:

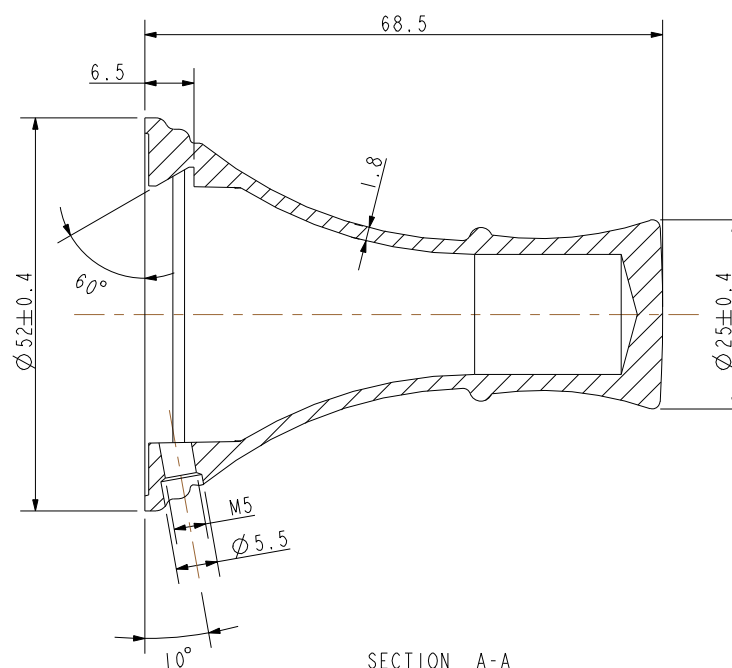
- 1、所有尺寸均为一般尺寸。
- 2、具体按W110.3024《浴室配件》进货检验标准检验。
- 3、包装清单见右表:

包装	内容 / 编号	备注
1、内盒	FFI-CN521K00001178	AS黑色彩盒
2、外箱	FFI-CN521K00001185	装箱数: 50pcs
3、说明书	FFI-CN521K00001157	
4、内盒标签	FFI-CN521K00001160	居中贴在内盒左侧无Logo面
5、外箱标签	FFI-CN521K00001169	一个外箱贴两张
6、盒内包材	主体: 珍珠棉袋16*11CM 配件: PE自封袋6*8CM	

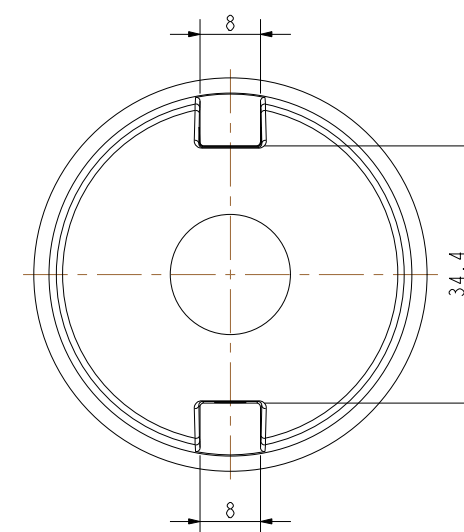
在底座正面用激光印AS_Logo, 字宽18mm



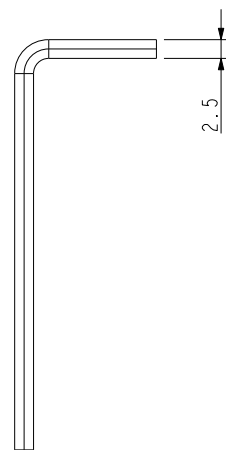
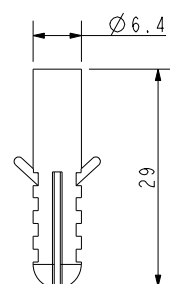
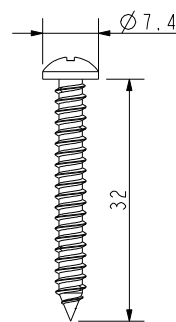
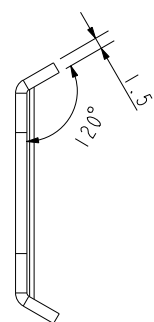
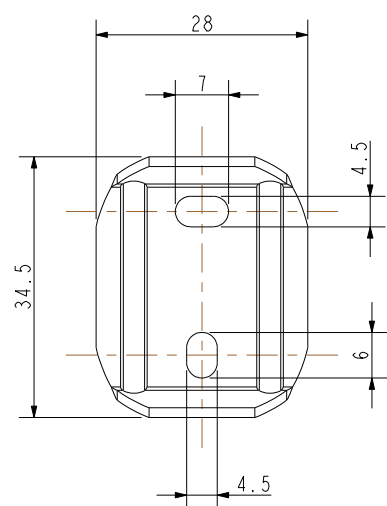
底座正面



SECTION A-A



底座反面



6	FFI-CN521Z9Z138109	内六角扳手2.5	1	A3	
5	FFI-CN521Z9Z138108	Φ6塑料膨胀管	2	PA66	
4	FFI-CN521Z9Z029505	安装底片	1	SUS304	
3	FFI-CN521Z9Z138107	ST4.2自攻螺丝	2	SUS304	
2	FFI-CN521Z9Z029512	内六角螺钉 M5*8	1	SUS304	锥头
1	FFI-CN521Z9Z028101	衣挂钩底座	1	HPb59-1	抛丸镀铬

NO.	Part No.	Part Name	QTY	Material	Remark
-----	----------	-----------	-----	----------	--------

DESIGNED			TITLE		
CHECKED			REF		
APPROVED			典雅衣挂钩		
SCALE	MATERIAL	WEIGHT	DWG NO.		American Standard
1.000	Assembly		FFAS0281-908500BC0		

REV	DESCRIPTION	DATE	NAME