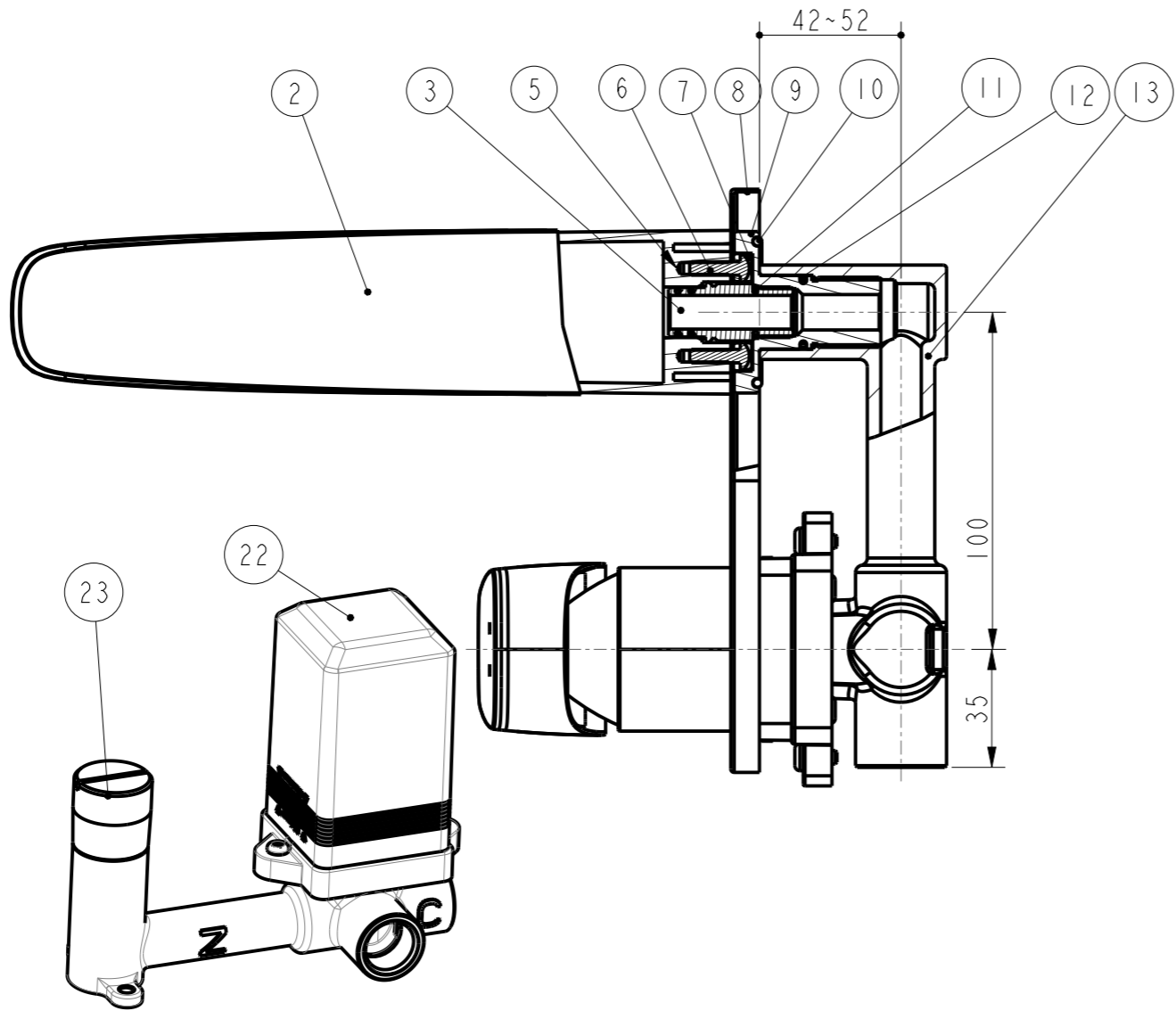
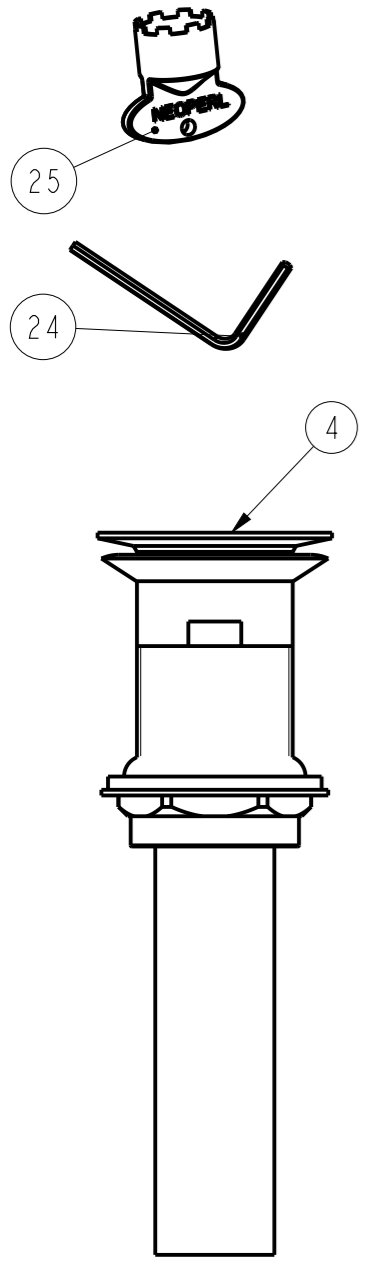
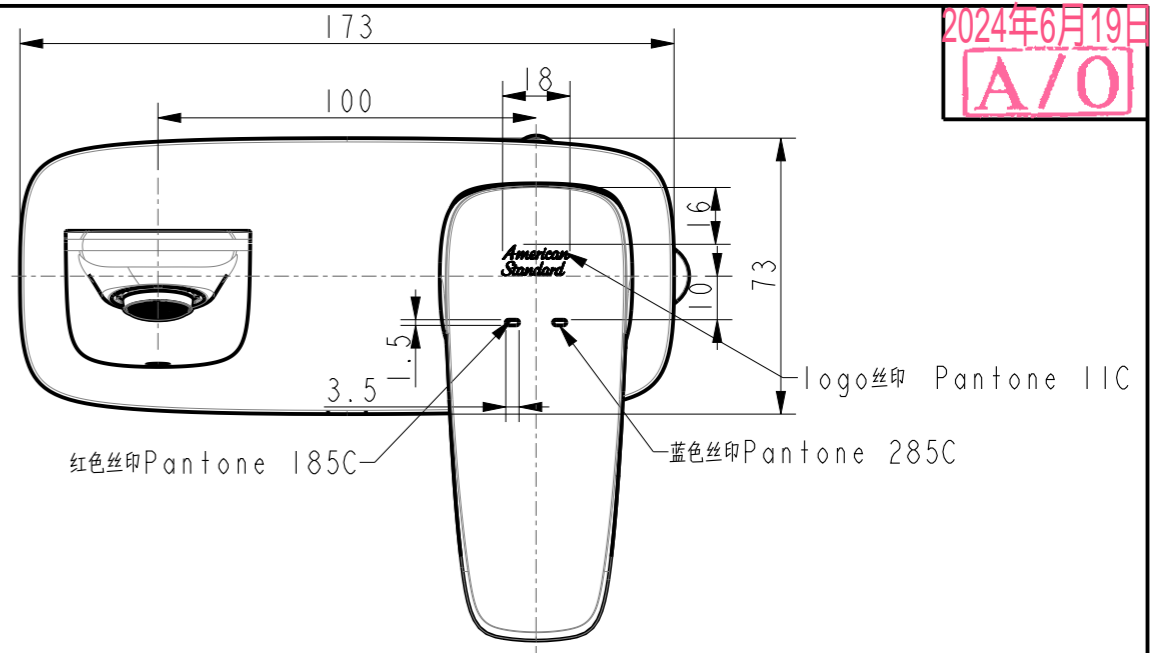
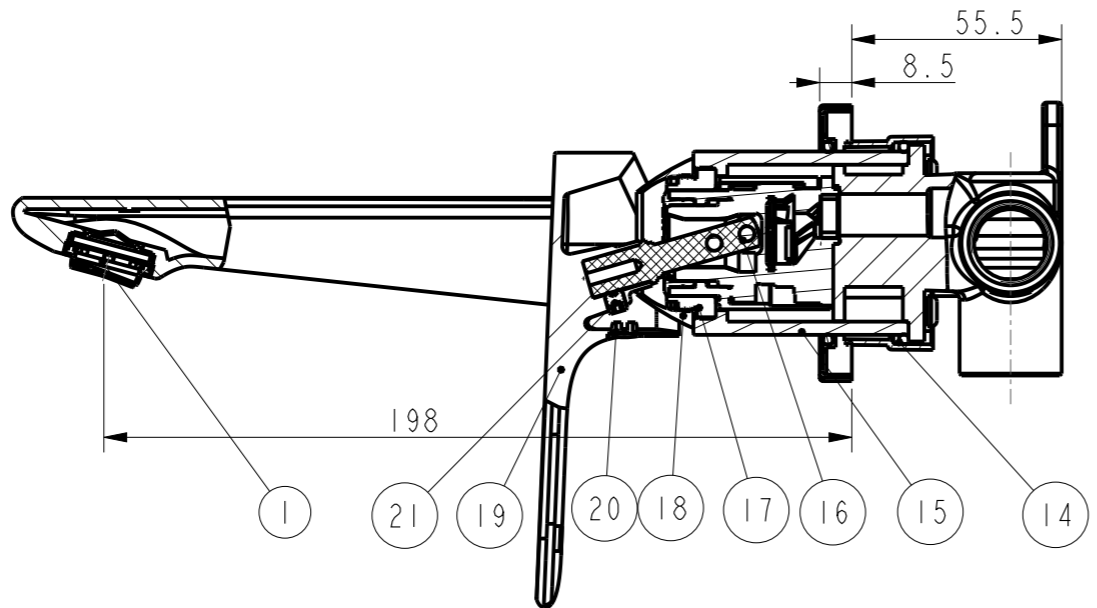


2024年6月19日  
A/O

Tolerance, Unless Otherwise Stated, Is			
Above 0.5 to and including 6	6	±0.1	
Excess 6 to and including 30	30	±0.2	
Excess 30 to and including 120	120	±0.3	
Excess 120 to and including 315	315	±0.5	
Excess 315 to and including 1000	1000	±0.8	
Excess 1000 to and including 2000	2000	±1.2	



25	FF1-CN521A00000097	1582364399\M24X1 SLIM 起泡器扳手	1	PA66-GF30	
24	FF1-CN521Z00000254	1582361599\H01入墙式混水阀内六方板手	1	Q235	
23	FF1-CN521Z00000310	1585969799\AA32入墙式面盆龙头堵头	1	Nylon	
22	FF1-CN521Z0012399P	1704入墙式面盆龙头保护套	1	PP	
21	FF1-CN521N00000228	158A917376\希丽亚台面浴缸内六方把手螺钉M5*6	1	SUS304	
20	FF1-CN521Z000049GL	把手孔塞-喜悦金	1	ABS	PVD
19	FF1-CN521L00065GLX	1711挂墙式浴缸龙头把手-喜悦金	1	ZZnA4-1	PVD
18	FF1-CN521F00074GLP	35mm 阀芯顶盖-喜悦金	1	ABS	PVD
17	FF1-CN521N0005599B	35mm 阀芯锁紧螺母	1	HPb59-1	
16	FF1-CN521C0002499P	G35平脚阀芯 (408556840)	1	Assembly	
15	FF1-CN521J00185GLB	1704入墙龙头阀芯铜套-喜悦金	1	HPb59-1	PVD
14	FF1-CN521G0005999R	1704入墙面盆防水垫片	2	NBR70	
13	FFZZ0021-002529LMC	1704入墙面盆本体 加工件 (超低铅)	1	CC752S	
12	FF1-CN521G00000251	158A912621\O型圈 $\phi 17*2$	1	NBR70	
11	FF1-CN521G00000289	158A912763\O环 $\phi 11*\phi 1.5$	1	NBR70	
10	FF1-CN521G00000361	1591276099\O型圈-39.34*2.62, 完成品	1	NBR70	
9	FF1-CN521J0021399L	1704出水口连接盘	1	DZR Brass	
8	FF1-CN521F00084GLB	1704入墙面盆面板-喜悦金	1	H62	PVD
7	FF1-CN521F00000015	1580306899\A32出水口出固定板	1	HPb59-1	
6	FF1-CN521N00000194	15818609F4\2002 保护套螺钉	8	SUS304	
5	FF1-CN521N00000228	158A917376\希丽亚台面浴缸内六方把手螺钉M5*6	1	SUS304	
4	FF1-CN521X00197GLB	PA型全铜手压排杆(带溢水口)-喜悦金	2	Assembly	PVD
3	FF1-CN521J0021299L	1704出水口出水接头	1	DZR Brass	
2	FFZZ0021-002485LGL	1704入墙面盆出水口 (超低铅)-喜悦金	1	ZCuZnBi0.7A	PVD
1	FF1-CN521A0001799P	M24X1 SLIM Air可调角度起泡器1.5GPM(4080560)	1	Assembly	

技术要求:  
 1. 移印美标商标图案 位置如图示. 字长18mm, 颜色pantone冷灰色11C  
 2. 颜色零件符合《W110.0575\_PVD外观检验标准》,  
 3. 产品符合W110.0504, W110.0507和GB18145的要求,  
 4. 移印符合《W110.4810\_移印检验标准》.

REV	DESCRIPTION	DATE	NAME

DESIGNED	料号	中文描述	数量	材料	备注
利华沃	20240618	Signature Wall Mounted Basin Mixer_GLO			
CHECKED	2024.06.18	REF			
APPROVED	2024.6.18.	纤格入墙式面盆龙头 (带去水器) _喜悦金			
SCALE	MATERIAL	WEIGHT	DWG NO.		
1:2	Assembly		FFAS1704-101GLOBFO		

