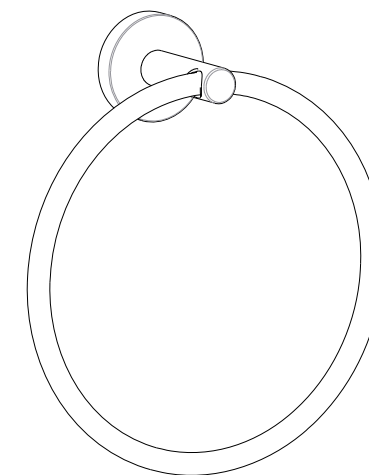
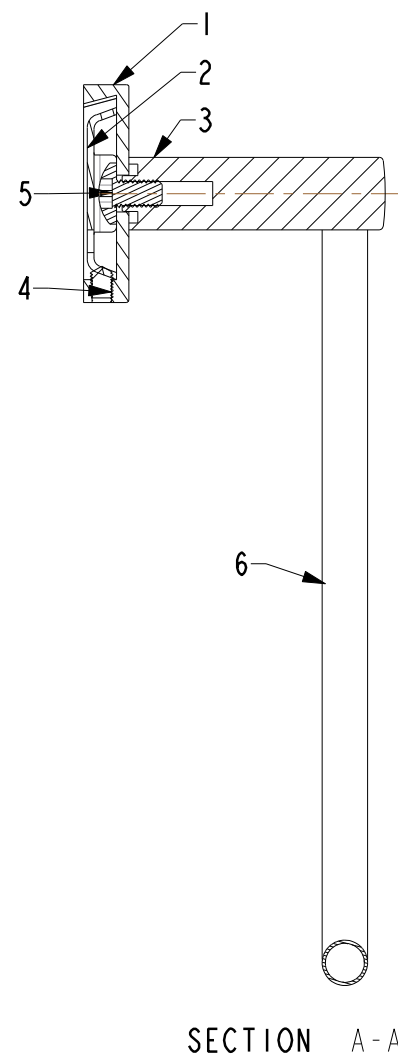
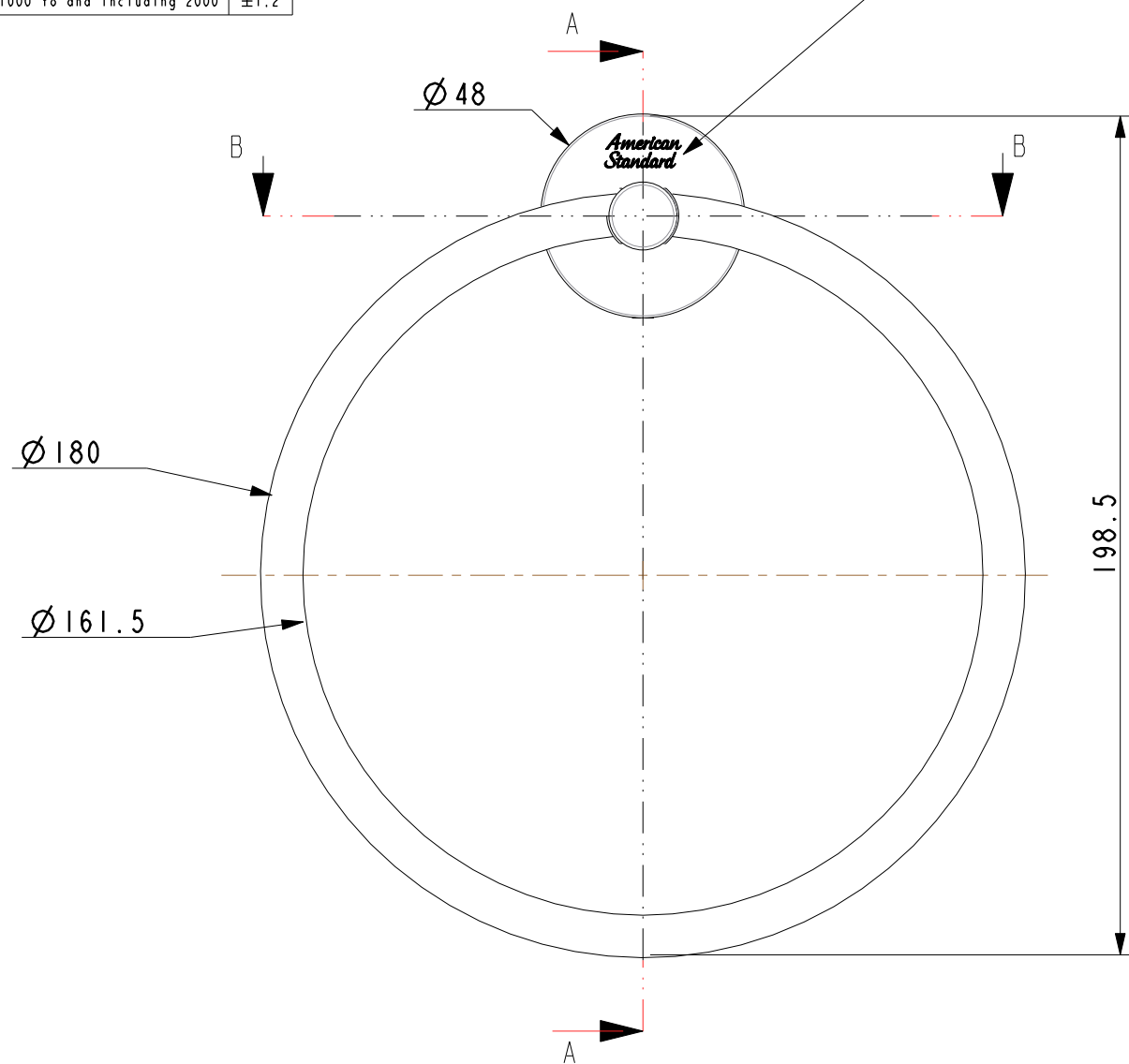
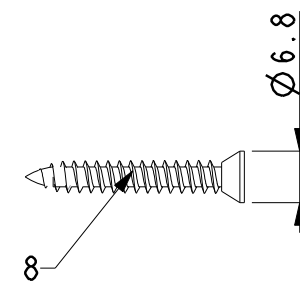


Tolerance, Unless Otherwise Stated, Is	
Above 0.5 to and including 6	±0.1
Excess 6 to and including 30	±0.2
Excess 30 to and including 120	±0.3
Excess 120 to and including 315	±0.5
Excess 315 to and including 1000	±0.8
Excess 1000 to and including 2000	±1.2

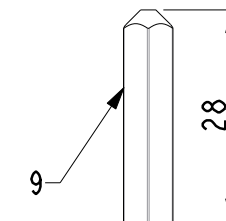
激光印 AS\_Logo,字宽 18,  
具体见《WI09.2127》-概念浴室配件印字作业要求



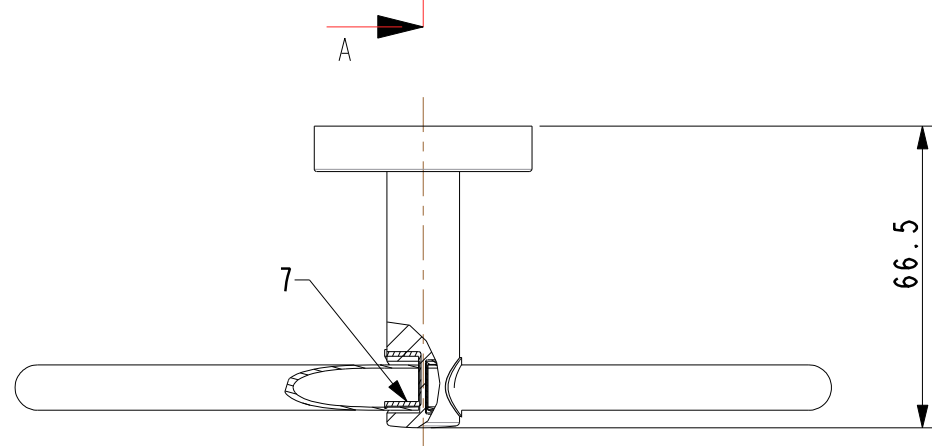
SCALE 0.300



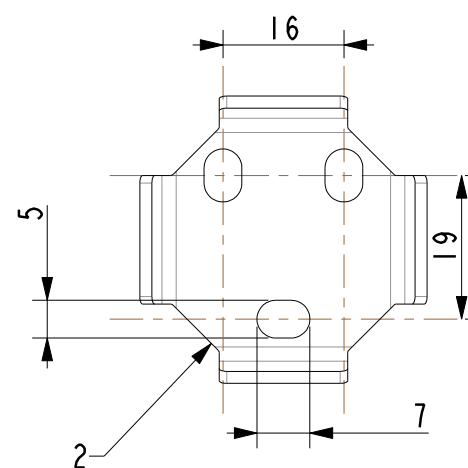
SCALE 1.000



SCALE 1.000



SECTION B-B



SCALE 1.000

技术要求:

- 按《WI10.3204》浴室配件进货检验标准检验;
- 所有尺寸为一般尺寸。

序号	料号	名称与描述	材料	数量	备注
9	159Z148107	胀套	PA66	3	
8	159Z148106	自攻螺钉ST4*28	SUS201	3	
7	159Z149003	衬套	PC	2	
6	159Z149002	挂环	SUS304	1	抛光镀铬
5	159Z148105	本体螺钉M6*10	SUS201	1	
4	159Z148104	支座螺钉M5*8	SUS201	1	
3	159Z149001	本体	ZZnA14-1	1	抛光镀铬
2	159Z148102	概念圆固定垫片	SUS201	1	
1	159Z148101	概念圆支座	ZZnA14-1	1	抛光镀铬

DESIGNED	CHECKED	APPROVED	SCALE	MATERIAL	WEIGHT	TITLE
			0.600	Assembly		REF 概念圆毛巾环
						DWG NO. FFAS1490-908500BF0

**American  
Standard**

REV	DESCRIPTION	DATE	NAME